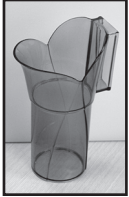


SAF-T-ICE® BOTTLE GUARDIAN

Instructions For Use

Thank you for purchasing the Saf-T-ice® Bottle Guardian. The system features Universal Mounting Options: inside or outside of an ice bin, permanently or temporarily and easily fits a variety of bin-lip dimensions using the included wire hangers. Choose one of the options below which best fits your operation:

Your system includes:



(1) Guardian Holding Unit



(1) Drain Cup



(1) Mounting Bracket



(2) Wire Mounting Hangers

Ice Bin Lip Mounting

Inside Bin Mount

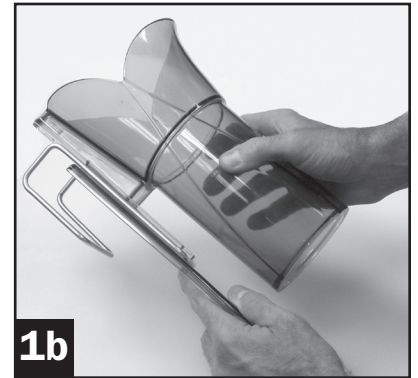


Wire Mounting Hanger

Optional Drain Cap (not shown)



1a



1b

1. How to fit wire mounting hanger to mounting bracket:

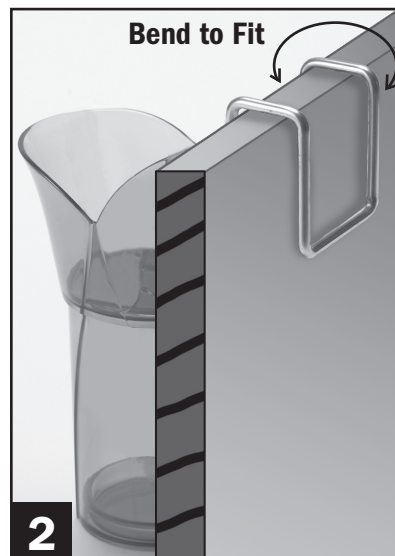
Select one of the 2 wire mounting hangers for the width of the bin lip. Position the wire hanger under the mounting bracket locking rails (1a) and slide upward into place (1b).

Outside Bin Mount



Wire Mounting Hanger

Drain Cap



Bend to Fit

2

2. How to fit wire mounting hanger to bin lip:

Bend the outside end of the hangers as needed to fit bin lip and set into place.

Surface Mounting

For counter drop-in ice bins where lip isn't present or for a variety of other placement options.



Permanent Mount (with Mounting Hardware):

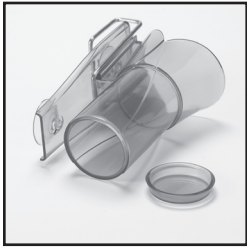
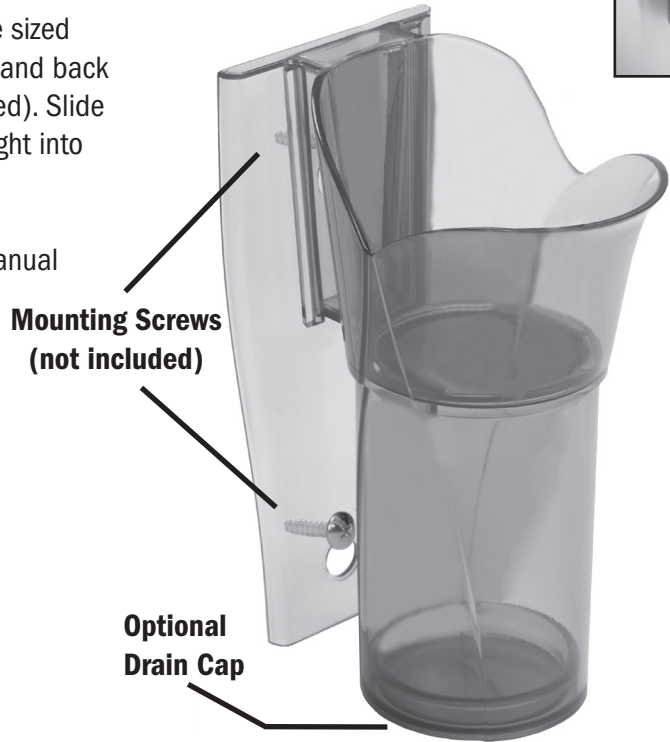
Secure the bracket to the surface by using an appropriate sized drilled hole; screw into place using a washer on the front and back of the bracket (permanent mounting hardware not included). Slide the bracket into position using the key holes and screw tight into place.

NOTE: Consult your health department and equipment manual before permanently mounting inside an ice or food bin.

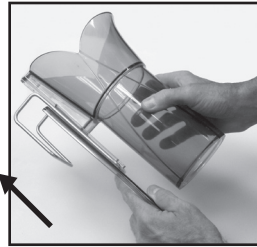


PERFECT FOR USE WITH:

- "Store & Pour"
- Liquor bottles
- Wine bottles



Removable drain cap gives the option of allowing excess water to drain out or be retained. Use of the drain cap is recommended for exterior mounting applications where excess water may accumulate on a floor causing a safety hazard.



Daily cleaning:

Remove the guardian holding unit from the mounting bracket by lifting the unit upward to release it from the bracket locking channels. Clean and sanitize using standard manual or mechanical warewashing procedure and equipment. Commercial dishwasher safe.



Visit www.sanjamar.com for more information on this and other quality ice handling products.

SAN JAMAR

Smart ♦ Safe ♦ Sanitary

555 Koopman Lane · Elkhorn, Wisconsin 53121 USA
T: 800.248.9826/262.723.6133 · F: 262.723.4204
www.sanjamar.com

San Jamar Europe, Inc.
Schoorstraat 26A, Bus-1 B-2220 Heist op-den Berg
BELGIUM
T: +32 15 228140 · F: +32 15 228148