

***USER MANUAL***

# D900 Ticket Dispenser

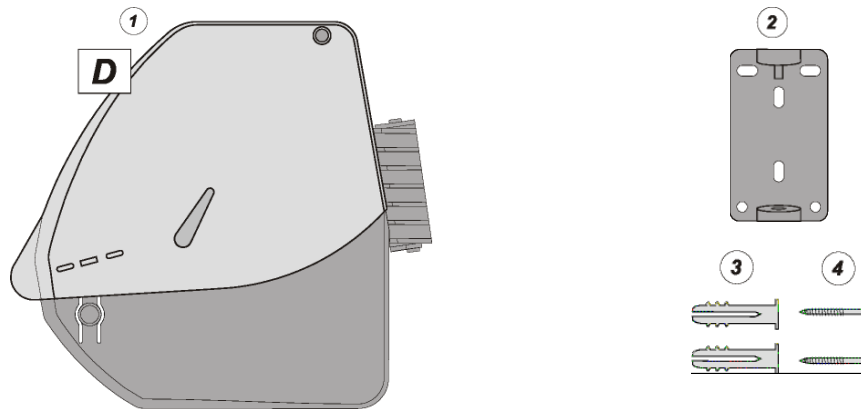


**PRODUCT CODE # 3950903**

<b>Page #</b>	<b>USER MANUAL CONTENTS:</b>
D900-2	D900 Ticket Dispenser – Package Contents
D900-2	Installing D900 Ticket Dispenser
D900-3	Installing D900 Ticket Dispenser On Older Model Ticket Dispenser Brackets
D900-4	D90 Ticket Types ~ Loading Ticket Roll
D900-5	Customer Service & Technical Center Contact Information

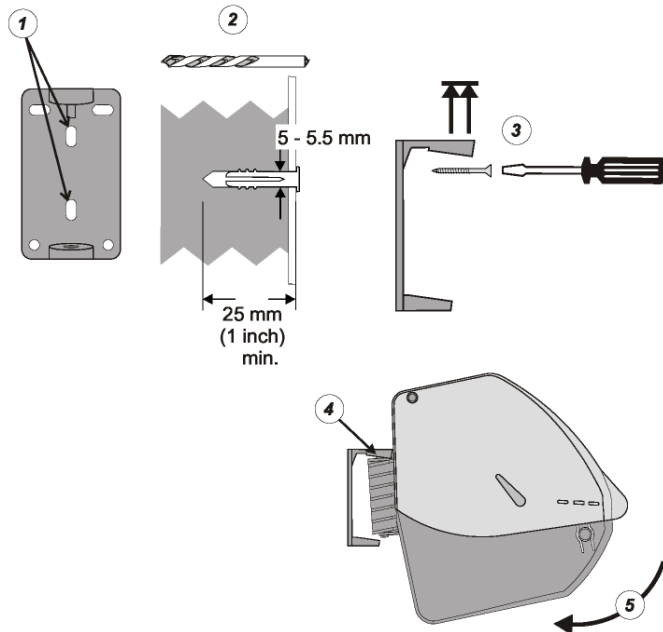
**PACKAGE CONTENTS**

1. D900 Ticket Dispenser
2. Mounting Bracket
3. 2 each Expander Plugs for wall mounting
4. 2 Screws for wall mounting

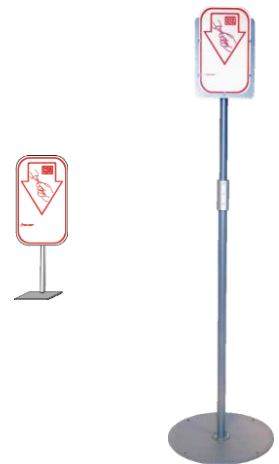


**INSTALLING DISPENSER (NEW INSTALLATION)**

1. Mark hole location using bracket as template
2. For Fastening in other than solid wood, use included expander plugs
3. Set bracket in place with the **longer** holder at the top – Fasten with the included screws
4. Set dispenser into the top longer holder – Lift the dispenser slightly and set into the bottom holder



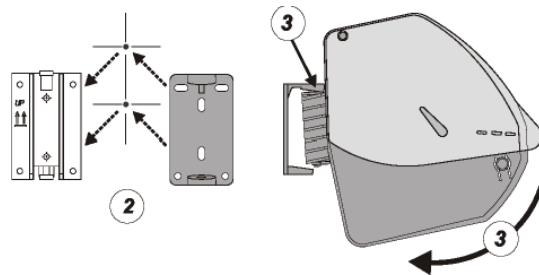
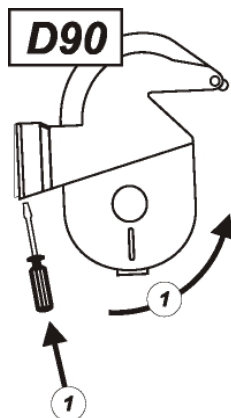
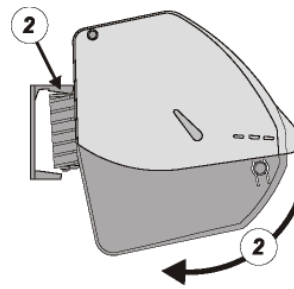
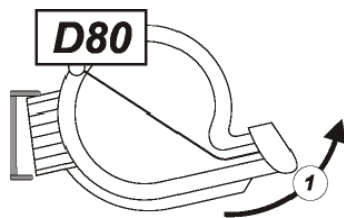
**12" Counter Stand or a Floor Stand are also available for mounting the D900 Ticket Dispenser**



## **INSTALLING D900 DISPENSER ~**

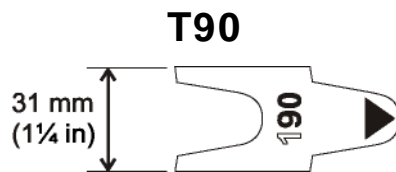
### **ON OLDER MODEL DISPENSER BRACKETS**

- D80-1.** Lift the D80 slightly and remove from the bracket's bottom holder
- D80-2.** Set the D900 into the D80 bracket's top holder, lift slightly and set it into the bottom holder
- D90-1.** Press in the bottom holding tab with a screwdriver and swing the D90 out of the bracket
- D90-2.** Remove the D90 bracket and mount the D900 bracket into its place with the longer holder at the top
- D90-3.** Set the D900 into the top holder, lift slightly and set it into the bottom holder.



## D90 TICKET TYPES ~ LOADING TICKET ROLL

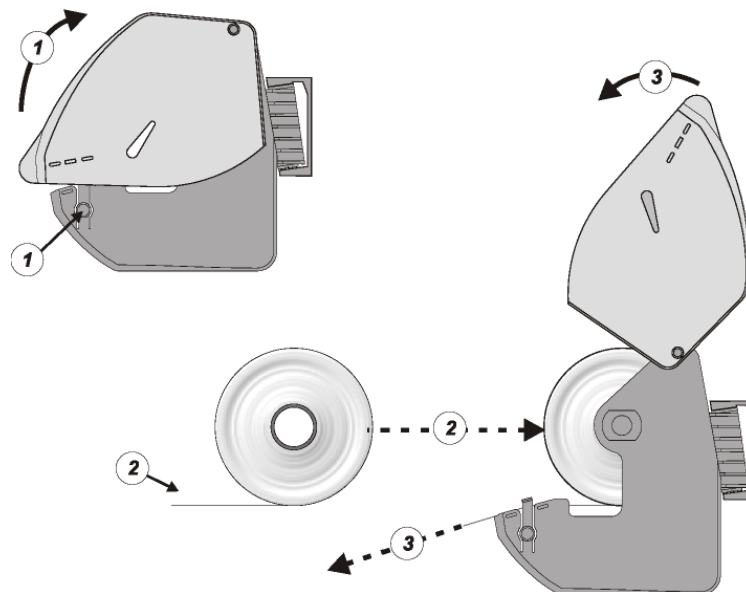
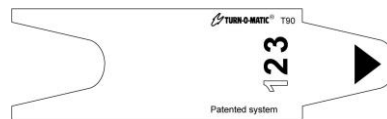
1. Push in the cover latches, swing the cover fully open and remove the old ticket roll core.
2. Release the ticket strip end and push the roll into the holders with the ticket strip end at the bottom, pointing outward. Be sure the roll is set properly into the holders so that it turns freely.
3. Pull the ticket strip forward into place between the guides and swing the cover closed.



### **T90 - Double, Perfed, Repeating Sequential**



### **T90 - Double Length - Promotional**



## **TURN-O-MATIC CONTACT INFORMATION:**

### **CUSTOMER SERVICE:**

- **Customer Service**  
**SATO LABELING SOLUTIONS AMERICA, INC.**  
**1140 Windham Parkway**  
**Romeoville, IL 60446**

**Customer Service Toll Free Phone #: (800) 645-3290, Ext. 8**  
**Customer Service Direct Phone #: (630) 771-4200, Ext. 8**  
**Customer Service Fax #: (630) 771-4250**

### **TECHNICAL CENTER:**

- **Technical Center**  
**SATO LABELING SOLUTIONS AMERICA, INC.**  
**30 Chapin Road, Suite 1201**  
**PO Box 777**  
**Pine Brook, NJ 07058**

**Technical Center Toll Free Phone #: (800) 205-7611, Ext. 3654**  
**Technical Center Direct Phone #: (973) 287-3654**  
**Technical Center Fax #: (973) 227-3961**