

FAUCET PARTS - EXPLODED VIEW

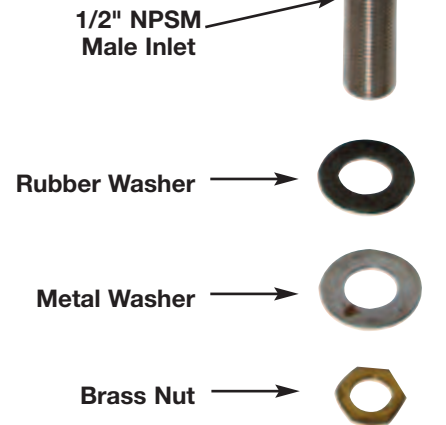
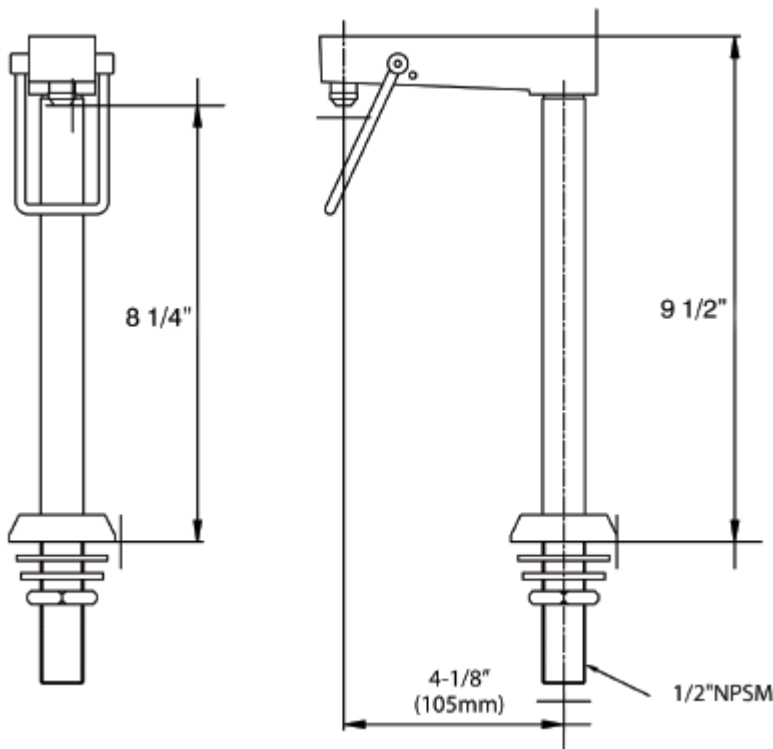
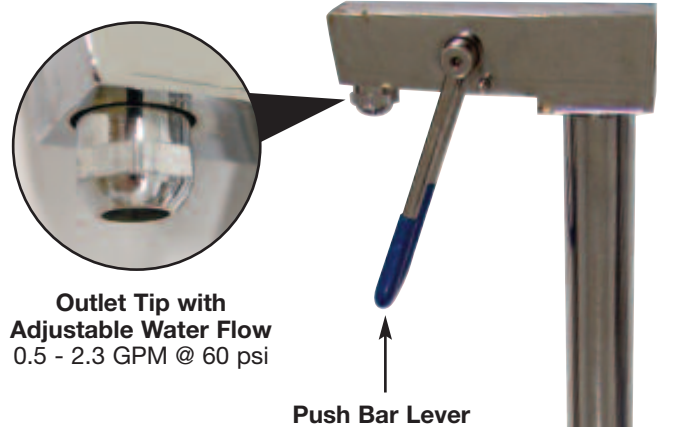
Model: K-54

ENGINEERING SPECIFICATION:

- Polished Chrome Plated Brass
- Stainless Steel Type 304 Riser
- Two Position Lever Arm
- Stainless Steel Valve and Lever
- 1/2" NPSM Male Inlet
- Includes Mounting Hardware

TECHNICAL/PERFORMANCE SPECIFICATIONS:

- Commercial Grade
- 1/2" NPSM Male Inlet
- Operating Temperature: 40 - 180°F
- Operating Pressure: 20 - 125 psi
- Flow Rate 0.5 - 2.3 GPM @ 60 psi



FAUCET CONFORMS TO ANSI/NSF STANDARD 61 SECTION 9