



The Choice of Experience

CATALOG OF
REPLACEMENT PARTS

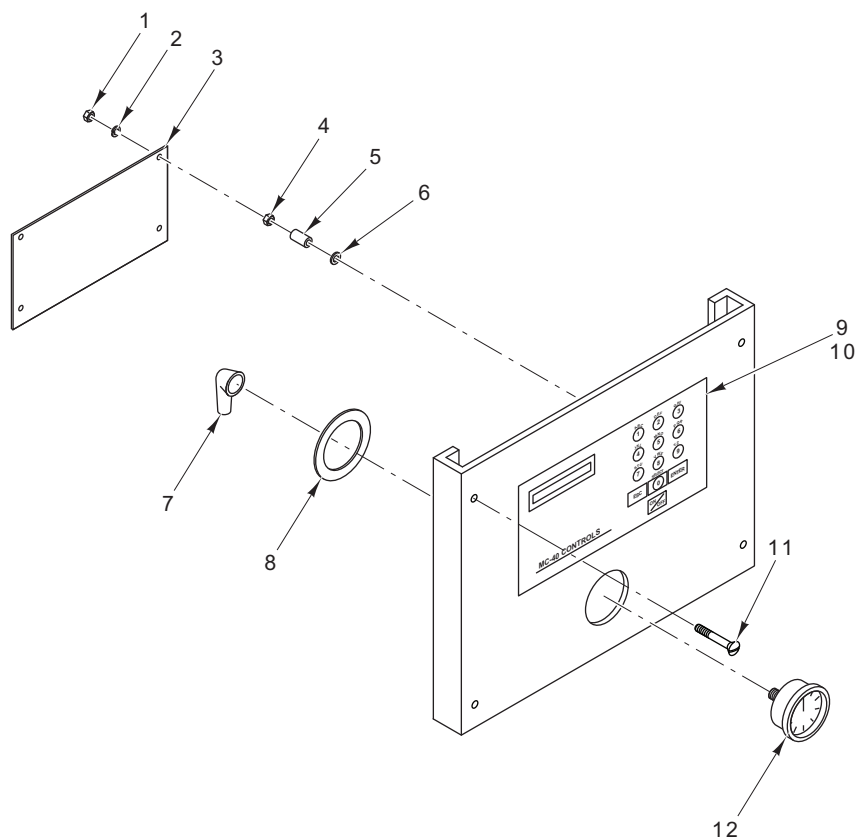


MODEL
250 VACUUM
PACKAGE MACHINE

EFFECTIVE NOVEMBER 2009

Table of Contents

5	CONTROL PANEL
7	ELECTRICAL COMPONENTS AND PUMP
9	COVER AND PANELS
11	SEAL BAR ASSEMBLY

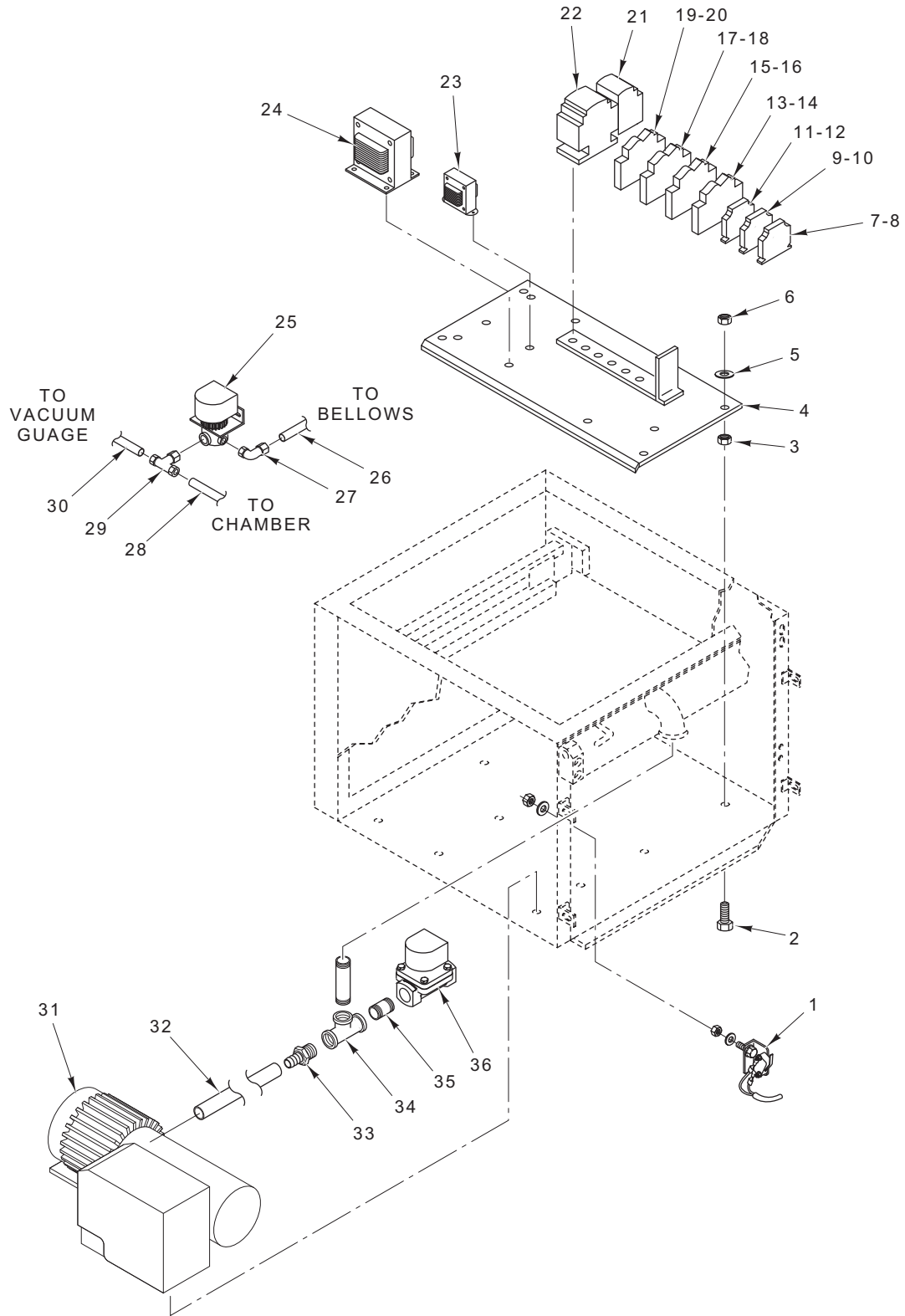


PL-59024

CONTROL PANEL

CONTROL PANEL

ILLUS.	PART NO.	NAME OF PART	AMT.
PL-59024			
1	NS-011-01	Nut 4-40 Hex (SST)	4
2	WL-008-45	Lockwasher (SST)	4
3	01-400033-00385	PC Board	1
4	01-400058-00120	Spacer	4
5	NS-011-01	Nut 4-40 Hex (SST)	4
6	WS-023-22	Washer.....	4
7	01-400101-00160	Elbow 90 Deg. 1/4 x 1/4.....	1
8	01-400001-01869	Ring – Vacuum Gauge Fixation	1
9	SC-022-82	Mach. Screw 4-40 x 1 Slotted Flat Hd. (SST).....	4
10	01-400033-00018	Keyboard – Berkel	1
11	SC-128-34	Mach. Screw 1/4-20 x 2 Slotted Flat Hd. (SST).....	4
12	01-400114-00260	Gauge – Vacuum With Support	1

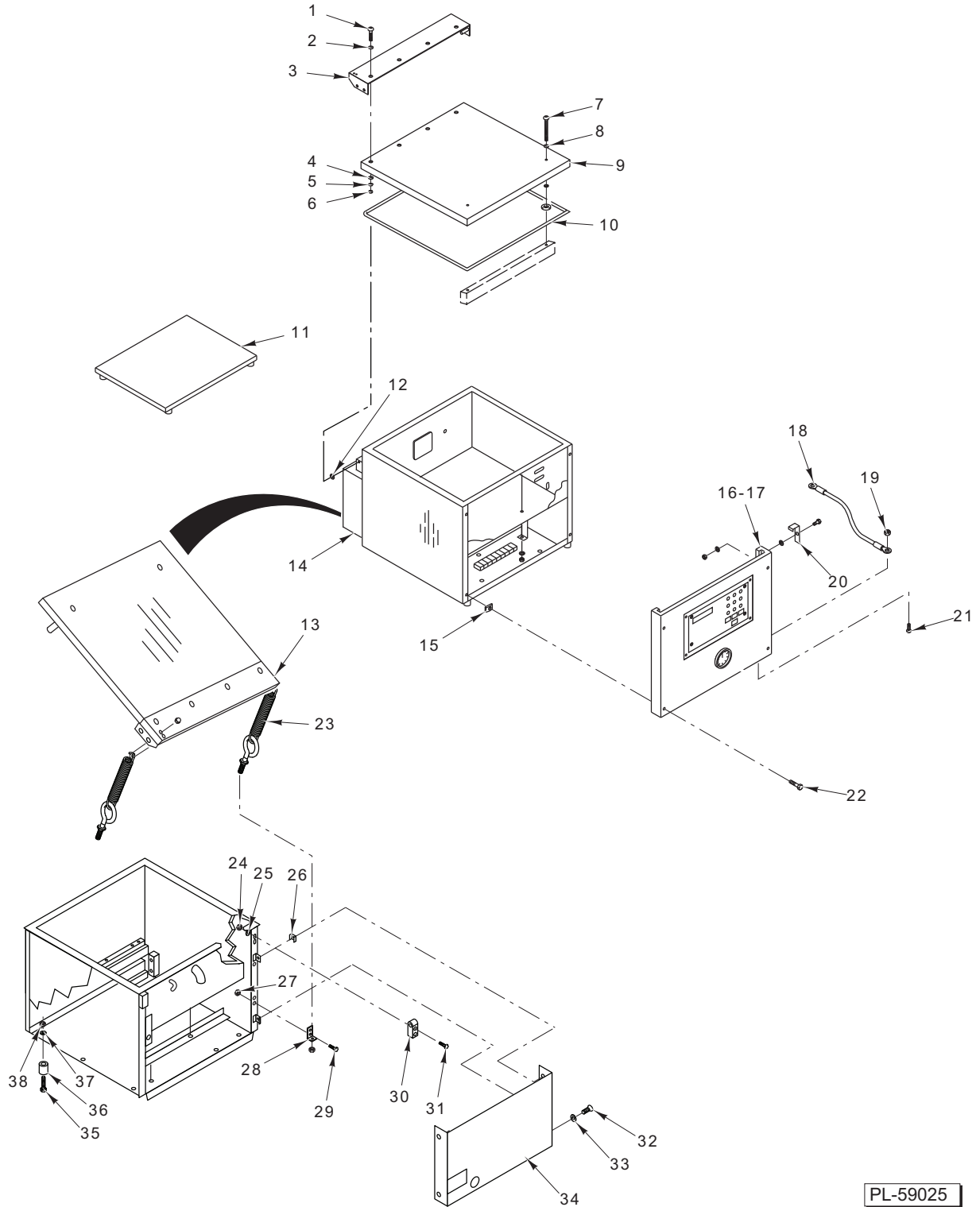


PL-59026

ELECTRICAL COMPONENTS AND PUMP

ELECTRICAL COMPONENTS AND PUMP

ILLUS. PL-59026	PART NO.	NAME OF PART	AMT.
1	01-400004-00261	Limit Switch Assy.	1
2	SC-129-49	Mach. Screw 1/4-20 x 3/4 Hex Hd. (SST).....	4
3	NS-046-38	Nut 1/4-20 Hex (SST).....	4
4	01-400004-00333	Support – Electrical Pre Assy.....	1
5	WS-022-21	Washer (SST).....	4
6	NS-046-38	Nut 1/4-20 Hex (SST).....	4
7	01-400034-00740	Holder – Fuse.....	1
8	01-400034-00240	Fuse (250 V., 4 Amp.).....	1
9	01-400034-00740	Holder – Fuse.....	1
10	01-400034-00210	Fuse (250 V., 2 Amp.).....	1
11	01-400034-00740	Holder – Fuse.....	1
12	01-400034-00200	Fuse (250 V., 0.75 Amp.).....	1
13	01-400034-00755	Holder – Fuse (1-Pole) (600 V., 30 Amp.).....	1
14	01-400034-00500	Fuse (250 V., 15 Amp.).....	1
15	01-400034-00755	Holder – Fuse (1-Pole) (600 V., 30 Amp.).....	1
16	01-400034-00445	Fuse (250 V., 5 Amp.).....	1
17	01-400034-00755	Holder – Fuse (1-Pole) (600 V., 30 Amp.).....	1
18	01-400034-00427	Fuse (250 V., 3 Amp.).....	1
19	01-400034-00755	Holder – Fuse (1-Pole) (600 V., 30 Amp.).....	1
20	01-400034-00445	Fuse (250 V., 5 Amp.).....	1
21	01-400025-00130	Overload.....	1
22	01-400025-00010	Contactactor (110 V.) (Motor).....	1
23	01-400029-00008	Transformer (65 VA) (120-24 V.).....	1
24	01-400029-00400	Transformer (200 VA) (120-24 V.).....	1
25	01-400106-00070	Valve – Bellows.....	1
26	01-400104-00060	Tube 3/8 x 1/4.....	1
27	-	Fitting – Elbow.....	1
28	01-400104-00060	Tube 3/8 x 1/4.....	1
29	-	Fitting – Tee.....	1
30	01-400104-00060	Tube 3/8 x 1/4.....	1
31	01-400125-00004	Pump (4m ³ , 0.1 kW, 115 V., 60 Hz., 1 Ph.).....	1
32	-	Tube.....	1
33	-	Fitting – Barb.....	1
34	-	Pipe – Tee.....	1
35	-	Pipe.....	1
36	01-400106-00020	Valve – Atmosphere.....	1
	01-400026-00590	Switch – Limit.....	AR

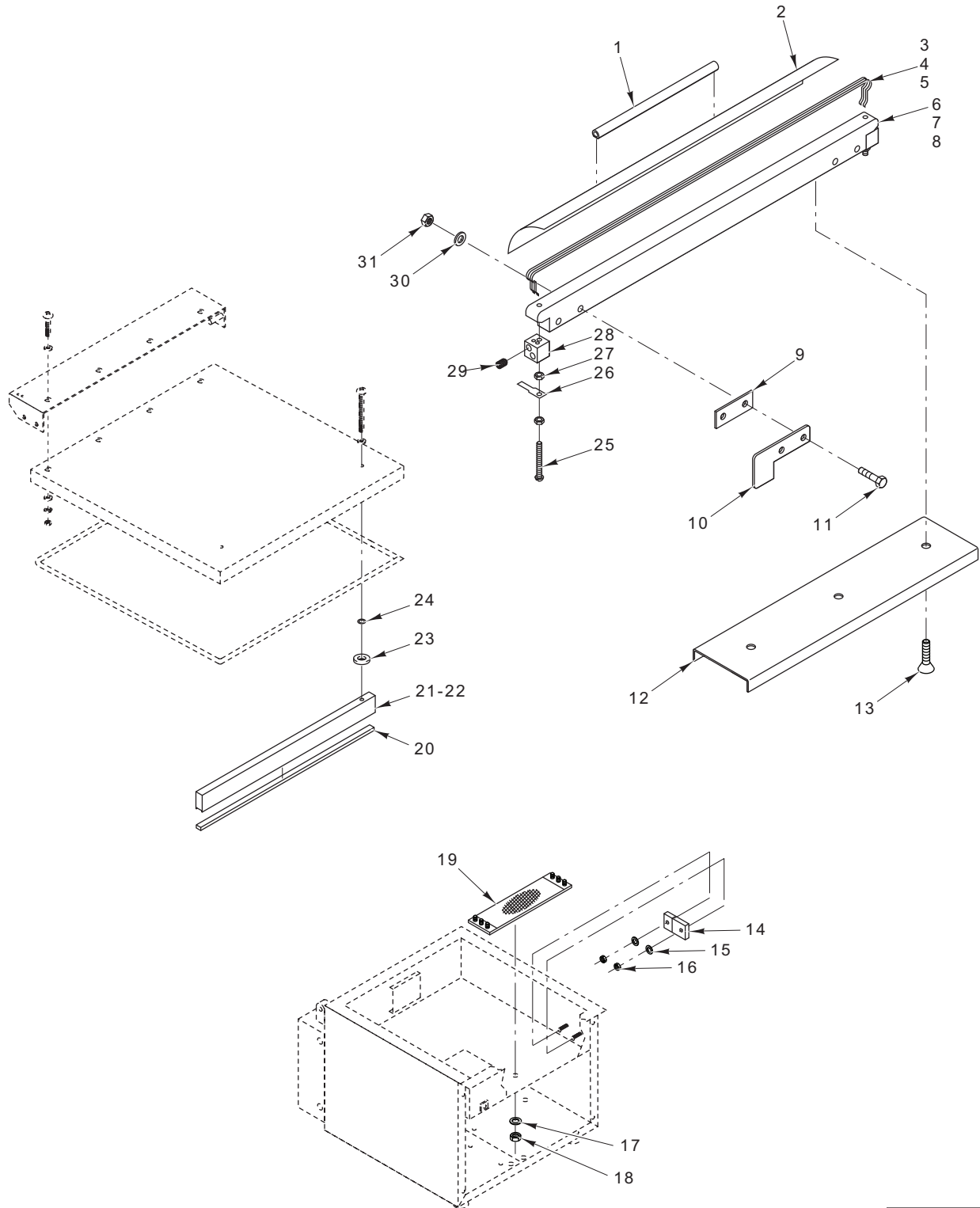


PL-59025

COVER AND PANELS

COVER AND PANELS

ILLUS.	PART NO.	NAME OF PART	AMT.
	PL-59025		
1	SC-125-96	Mach. Screw 1/4-20 x 1 1/4 Phil. Pan Hd. (SST)	4
2	WS-022-21	Washer (SST)	4
3	01-400004-00309	Cover – Hinge Assy.....	1
4	WL-006-17	Lockwasher 1/4 (SST).....	4
5	WS-022-21	Washer (SST)	4
6	NS-046-38	Nut 1/4-20 Hex (SST).....	4
7	SC-126-03	Mach. Screw 1/2-20 x 1 1/2 Phil. Pan Hd. (SST)	2
8	WS-022-21	Washer (SST)	4
9	01-400002-00438	Cover – Plexi	1
10	01-032059	Gasket – Lid (3/8 In. Neoprene)	1
11	01-400005-00519	Plate Assy. – Filler.....	1
12	01-400058-00030	Spacer	2
13	01-400005-00522	Cover Assy.....	1
14	01-400004-00406	Vacuum 250 Pre Assy	1
15	00-129389	Spring Nut 1/4.....	4
16	01-400005-00526	Panel Assy. – Front.....	1
17	01-400001-01824	Panel – Front	1
18	-	Wire – Ground	1
19	NS-011-18	Nut 10-24 Hex (SST)	1
20	01-400004-01651	Cover – Hold Down Pre-Assy.	1
21	SC-018-22	Mach. Screw 10-24 x 1/2 Phil. Pan Hd. (SST)	1
22	SC-128-34	Mach. Screw 1/4-20 x 2 Phil. Pan Hd. (SST)	4
23	01-400004-A1224	Spring – Pre Assy.....	2
24	NS-046-38	Nut 1/4-20 Hex (SST).....	2
25	WS-022-21	Washer 1/4 Hex (SST)	2
26	00-129389	Spring Nut 1/4.....	4
27	NS-046-38	Nut 1/4-20 Hex (SST).....	2
28	01-400001-01337	Support – Rear Spring	2
29	SC-129-49	Mach. Screw 1/4-20 x 1/2 Hex Hd. (SST).....	2
30	01-400002-00024	Hinge – Block.....	2
31	SC-125-07	Mach. Screw 1/4-20 x 1 1/4 Cap Socket Hd. (SST)	4
32	SC-115-60	Mach. Screw 1/4-20 x 1/2 Phil. Pan Hd.	4
33	WS-022-21	Washer 1/4 Hex (SST)	4
34	01-400004-00363	Panel – Rear Pre Assy.....	1
35	SC-041-07	Mach. Screw 1/4-20 x 1 1/2 Hex Hd. (SST)	4
36	01-400V02-00022	Foot – Plastic	4
37	WS-022-21	Washer 1/4 Hex (SST)	4
38	NS-018-01	Lock Nut 1/4-20 Hex (SST)	4



PL-59027

SEAL BAR ASSEMBLY

SEAL BAR ASSEMBLY

ILLUS. PL-59027	PART NO.	NAME OF PART	AMT.
1	01-400038-00230	Duct – Wiring (With Adhesive Backing)	1
2	01-400003-0021R	Tape – Teflon (14 In.)	AR
3	01-400039-00230	Band – Reflex (14 In.)	AR
4	01-400039-00200	Element – Sealing (14 In.)	AR
5	01-400039-00270	Element – Profile Cut (14 In.)	AR
6	01-400004-00334	Seal Bar Pre Assy. (Double Seal) (Incls. Items 2, 4, 8, & 25 thru 31)	1
7	01-400004-00335	Seal Bar Pre Assy. (Bag Cut Option) (Incls. Items 2, 3, 5, 8, & 25 thru 31)	1
8	01-400020-A0433	Seal Bar	1
9	01-400001-01829	Spacer – Seal Bar Guide	2
10	01-400001-01738	Guide – Seal Bar	1
11	SC-126-59	Mach. Screw 1/4-20 x 1 1/4 Hex Hd. (SST)	4
12	01-400001-A2757	Support – Seal Bar	1
13	SC-020-11	Mach. Screw 1/4-20 x 3/4 Flat Hd.	3
14	01-400002-A2282	Block – Seal Bar Guide	2
15	WS-022-21	Washer (SST)	4
16	NS-018-01	Lock Nut 1/4-20 Hex (SST)	4
17	WL-006-28	Lockwasher (SST)	1
18	NS-009-43	Nut 3/8-16 Hex	1
19	01-400005-A1000	Bellows Assy.	1
20	01-400008-00435	Bar – Upper Seal Bar Rubber	1
21	01-400004-00308	Seal Bar Pre Assy. – Upper	1
22	01-400002-00436	Support – Upper Seal Bar	1
23	01-400002-00437	Spacer – Upper Seal Bar	2
24	01-400076-00010	O-Ring	2
25	SC-028-16	Set Screw 8-32 x 1 1/2 Slotted Rd. Hd. (Brass)	2
26	01-400027-00400	Adapter – Connector	2
27	NS-011-12	Nut 8-32 Hex (SST)	4
28	01-400002-00031	Connector	2
29	SC-055-02	Set Screw 1/4-20 x 5/16 Oval Pt.	4
30	WS-022-21	Washer (SST)	4
31	NS-018-01	Lock Nut 1/4-20 Hex (SST)	4
	01-400005-A0497	Seal Bar Assy. (Double Seal) (Incls. Items 1, 6, & 9 thru 13)	1
	01-400005-A0520	Seal Bar Assy. (Bag Cut Option) (Incls. Items 2, 7, & 9 thru 13)	1

