

BUNN®

SINGLE® SH DBC® WITH SMART FUNNEL®



ILLUSTRATED PARTS CATALOG

Designs, materials, weights, specifications, and dimensions for equipment or replacement parts are subject to change without notice.

BUNN-O-MATIC CORPORATION

POST OFFICE BOX 3227

SPRINGFIELD, ILLINOIS 62708-3227

PHONE: (217) 529-6601 FAX: (217) 529-6644



BUNN-O-MATIC COMMERCIAL PRODUCT WARRANTY

Bunn-O-Matic Corp. ("BUNN") warrants equipment manufactured by it as follows:

- 1) Airpots, thermal carafes, decanters, GPR servers, iced tea/coffee dispensers, MCR/MCP/MCA single cup brewers, thermal servers and ThermoFresh® servers (mechanical and digital) 1 year parts and 1 year labor.
- 2) All other equipment - 2 years parts and 1 year labor plus added warranties as specified below:
 - a) Electronic circuit and/or control boards - parts and labor for 3 years.
 - b) Compressors on refrigeration equipment - 5 years parts and 1 year labor.
 - c) Grinding burrs on coffee grinding equipment to grind coffee to meet original factory screen sieve analysis - parts and labor for 4 years or 40,000 pounds of coffee, whichever comes first.

These warranty periods run from the date of installation BUNN warrants that the equipment manufactured by it will be commercially free of defects in material and workmanship existing at the time of manufacture and appearing within the applicable warranty period. This warranty does not apply to any equipment, component or part that was not manufactured by BUNN or that, in BUNN's judgment, has been affected by misuse, neglect, alteration, improper installation or operation, improper maintenance or repair, non periodic cleaning and descaling, equipment failures related to poor water quality, damage or casualty. In addition, the warranty does not apply to replacement of items subject to normal use including but not limited to user replaceable parts such as seals and gaskets. This warranty is conditioned on the Buyer 1) giving BUNN prompt notice of any claim to be made under this warranty by telephone at (217) 529-6601 or by writing to Post Office Box 3227, Springfield, Illinois 62708-3227; 2) if requested by BUNN, shipping the defective equipment prepaid to an authorized BUNN service location; and 3) receiving prior authorization from BUNN that the defective equipment is under warranty.

THE FOREGOING WARRANTY IS EXCLUSIVE AND IS IN LIEU OF ANY OTHER WARRANTY, WRITTEN OR ORAL, EXPRESS OR IMPLIED, INCLUDING, BUT NOT LIMITED TO, ANY IMPLIED WARRANTY OF EITHER MERCHANTABILITY OR FITNESS FOR A PARTICULAR PURPOSE. The agents, dealers or employees of BUNN are not authorized to make modifications to this warranty or to make additional warranties that are binding on BUNN. Accordingly, statements by such individuals, whether oral or written, do not constitute warranties and should not be relied upon.

If BUNN determines in its sole discretion that the equipment does not conform to the warranty, BUNN, at its exclusive option while the equipment is under warranty, shall either 1) provide at no charge replacement parts and/or labor (during the applicable parts and labor warranty periods specified above) to repair the defective components, provided that this repair is done by a BUNN Authorized Service Representative; or 2) shall replace the equipment or refund the purchase price for the equipment.

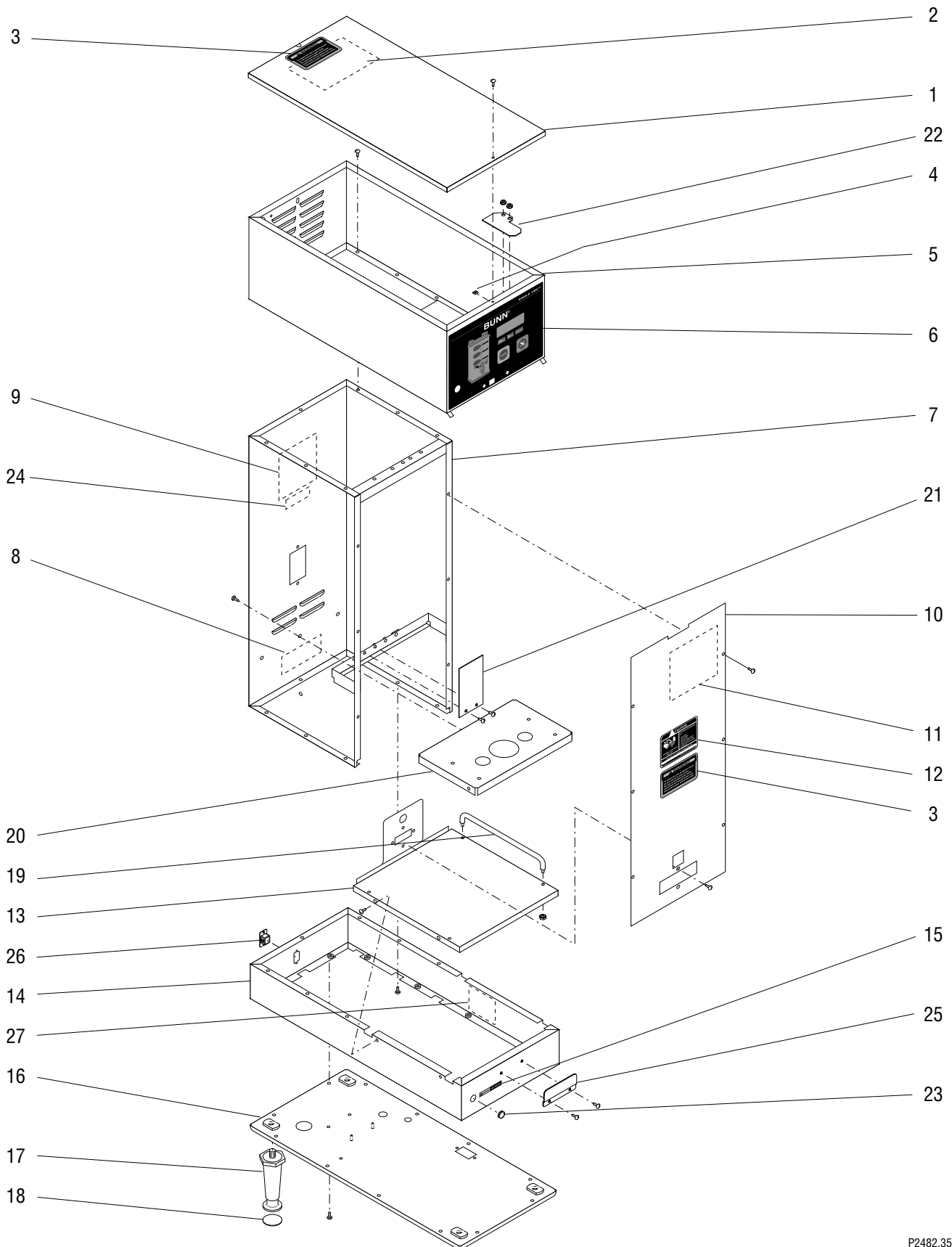
THE BUYER'S REMEDY AGAINST BUNN FOR THE BREACH OF ANY OBLIGATION ARISING OUT OF THE SALE OF THIS EQUIPMENT, WHETHER DERIVED FROM WARRANTY OR OTHERWISE, SHALL BE LIMITED, AT BUNN'S SOLE OPTION AS SPECIFIED HEREIN, TO REPAIR, REPLACEMENT OR REFUND.

In no event shall BUNN be liable for any other damage or loss, including, but not limited to, lost profits, lost sales, loss of use of equipment, claims of Buyer's customers, cost of capital, cost of down time, cost of substitute equipment, facilities or services, or any other special, incidental or consequential damages.

392, A Partner You Can Count On, Air Infusion, AutoPOD, AXIOM, BrewLOGIC, BrewMETER, Brew Better Not Bitter, BrewWISE, BrewWIZARD, BUNN Espresso, BUNN Family Gourmet, BUNN Gourmet, BUNN Pour-O-Matic, BUNN, BUNN with the stylized red line, BUNNlink, Bunn-O-Matic, Bunn-O-Matic, BUNNserve, BUNNSERVE with the stylized wrench design, Cool Froth, DBC, Dr. Brew stylized Dr. design, Dual, Easy Pour, EasyClear, EasyGard, FlavorGard, Gourmet Ice, Gourmet Juice, High Intensity, iMIX, Infusion Series, Intellisteam, My Café, Phase Brew, PowerLogic, Quality Beverage Equipment Worldwide, Respect Earth, Respect Earth with the stylized leaf and coffee cherry design, Safety-Fresh, savemycoffee.com, Scale-Pro, Silver Series, Single, Smart Funnel, Smart Hopper, SmartWAVE, Soft Heat, SplashGard, The Mark of Quality in Beverage Equipment Worldwide, ThermoFresh, Titan, trifacta, TRIFECTA (stylized logo), Velocity Brew, Air Brew, Beverage Bar Creator, Beverage Profit Calculator, Brew better, not bitter., Build-A-Drink, BUNNSource, Coffee At Its Best, Cyclonic Heating System, Daypart, Digital Brewer Control, Element, Milk Texturing Fusion, Nothing Brews Like a BUNN, Picture Prompted Cleaning, Pouring Profits, Signature Series, Sure Tamp, Tea At Its Best, The Horizontal Red Line, Ultra are either trademarks or registered trademarks of Bunn-O-Matic Corporation. The commercial trifacta® brewer housing configuration is a trademark of Bunn-O-Matic Corporation.

TABLE OF CONTENTS

Base - Trunk - Hood - Covers & Panels	4
Electrical Controls	24
Faucet.....	22
Funnel.....	30
Numerical Index	32
Solenoid & Lines	16
Sprayhead Valve and Sprayhead	20
Strainer/Flow Control - Solenoid & Lines	12
Tank and Mounting Brackets	10
Tank Heater & Overflow Protection Devices	8
Water By-Pass.....	18



P2482.35

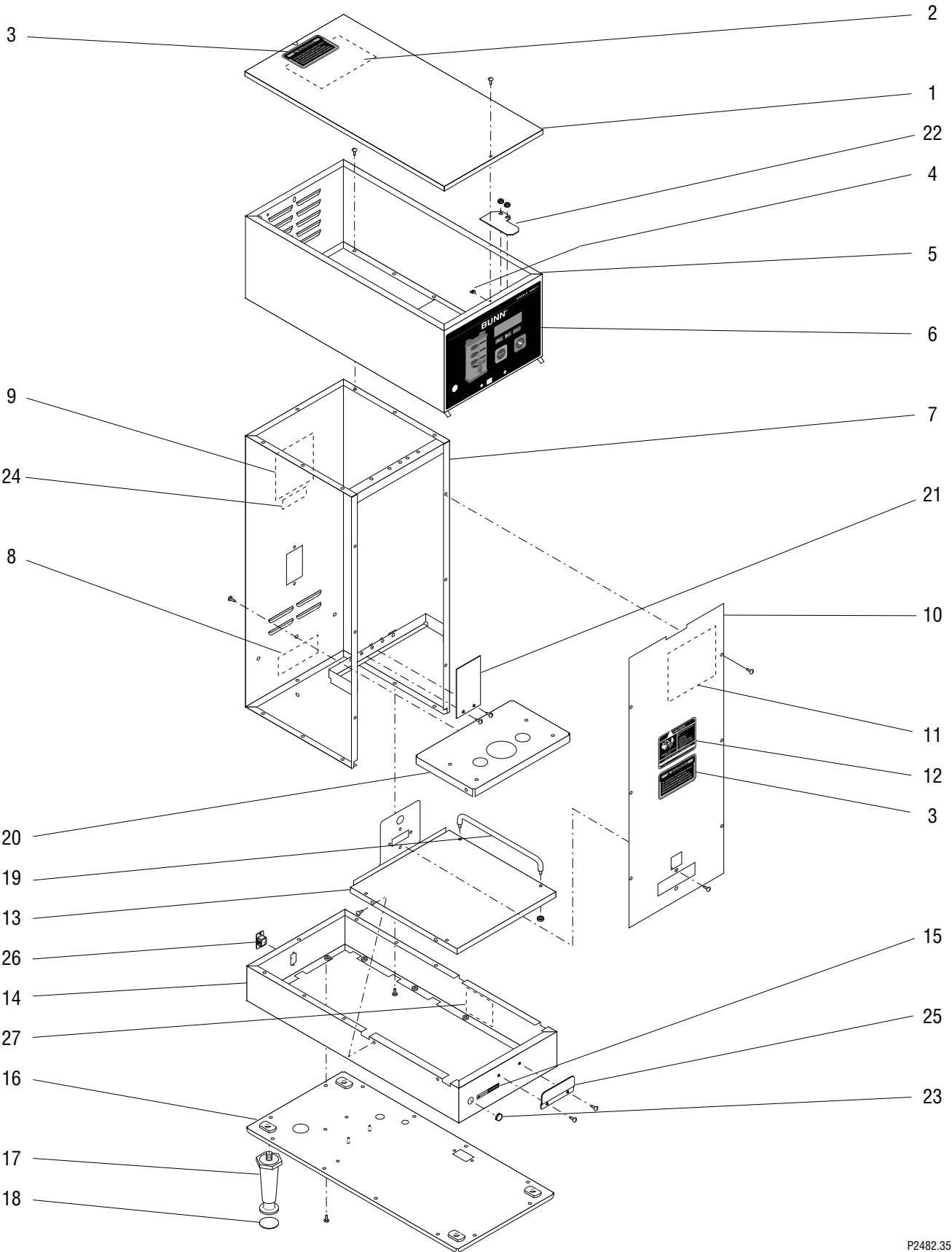
BASE - TRUNK - HOOD - COVERS & PANELS

ITEM	PART NO.	QTY.	DESCRIPTION
1	25766.0000	1	Cover w/Decals, Top SST (Includes items 2 & 3)
	25766.0001	1	Cover w/Decals, Top BLK (Includes items 2 & 3)
	02336.0000	1	Screw, Truss Head #4 - 40 x .375"
2	25151.0000	1	Shield, Insulator
3	37881.0000	2	Decal, Warning "No Serviceable Parts"
4	00916.0000	1	Clip, J-Type #4 - 40
5	36404.1003	1	Hood w/Decals SST (Includes item 6)
	36404.1004	1	Hood w/Decals BLK (Includes item 6)
	02308.0000	7	Screw, Pan Head #8 - 32 x .375"
6	29973.0000	1	Membrane Switch
7	29891.1000	1	Trunk w/Decals SST (Includes items 8,9 & 24)
	29891.1003	1	Trunk w/Decals BLK (Includes items 8,9 & 24)
8	00656.0001	1	Decal, Comply to Plumbing Code
9	00986.0000	1	Decal, Warning - Electrical
10	27744.1007	1	Panel w/Decals, SST 120 models (Includes items 3, 11 & 12)
	27744.1001	1	Panel w/Decals, SST 120/240V models (Includes items 3, 11 & 12)
	27744.1006	1	Panel w/Decals, BLK 120/240V models (Includes items 3, 11 & 12)
	27744.1002	1	Panel w/Decals, 200V & 230V models (Includes items (3 & 12)
	01382.0003	8	Screw, Truss Head Locking #6 - 32 x .375"
11	32043.0009	1	Schematic, Electrical 120/240V models
	32043.0010	1	Schematic, Electrical 120V models
	32043.0006	1	Schematic, Electrical 240V (Brewers with Product # 33600.0019 only)
	32043.0007	1	Schematic, Electrical 230V
12	00658.0000	1	Decal, Caution - Decanter/Funnel
13	36407.0000	1	Cover, Server Platform
	01382.0003	4	Screw, Truss Head Locking #6 - 32 x .375"
14	36406.1000	1	Base Housing w/Decals, SST 120V, 120/240V & 200V models (Includes item 15)
	36406.1001	1	Base Housing w/Decals, 230V models (Includes item 15)
	36406.0002	1	Base Housing, BLK 120/240V models
	02308.0000	7	Screw, Pan Head #8 - 32 x .375"
15	20201.5600	1	Decal, Warning - Hot Water (Early models)
16	27763.0000	1	Cover, Bottom SST 120V & 120/240V models
	27763.0001	1	Cover, Bottom BLK 120/240V models
	27763.0004	1	Cover, Bottom 200V models
	27763.0006	1	Cover, Bottom SST 120V & 120/240V models with Main Power Switch
	27763.0008	1	Cover, Bottom BLK 120/240V models with Main Power Switch
	27763.0010	1	Cover, Bottom 230V models
	02308.0000	12	Screw, Pan Head #8 - 32 x .375"
17	26528.0000	4	Leg, 4.0" Plastic
18	03996.0000	4	Pad, Anti Skid
19	12249.0001	2	Guide Rail
	00970.0000	4	Nut, Keps #8 - 32

(Continued)

* Indicates the part number listed is for reference only. See DESCRIPTION for possible service replacement.

(Continued)

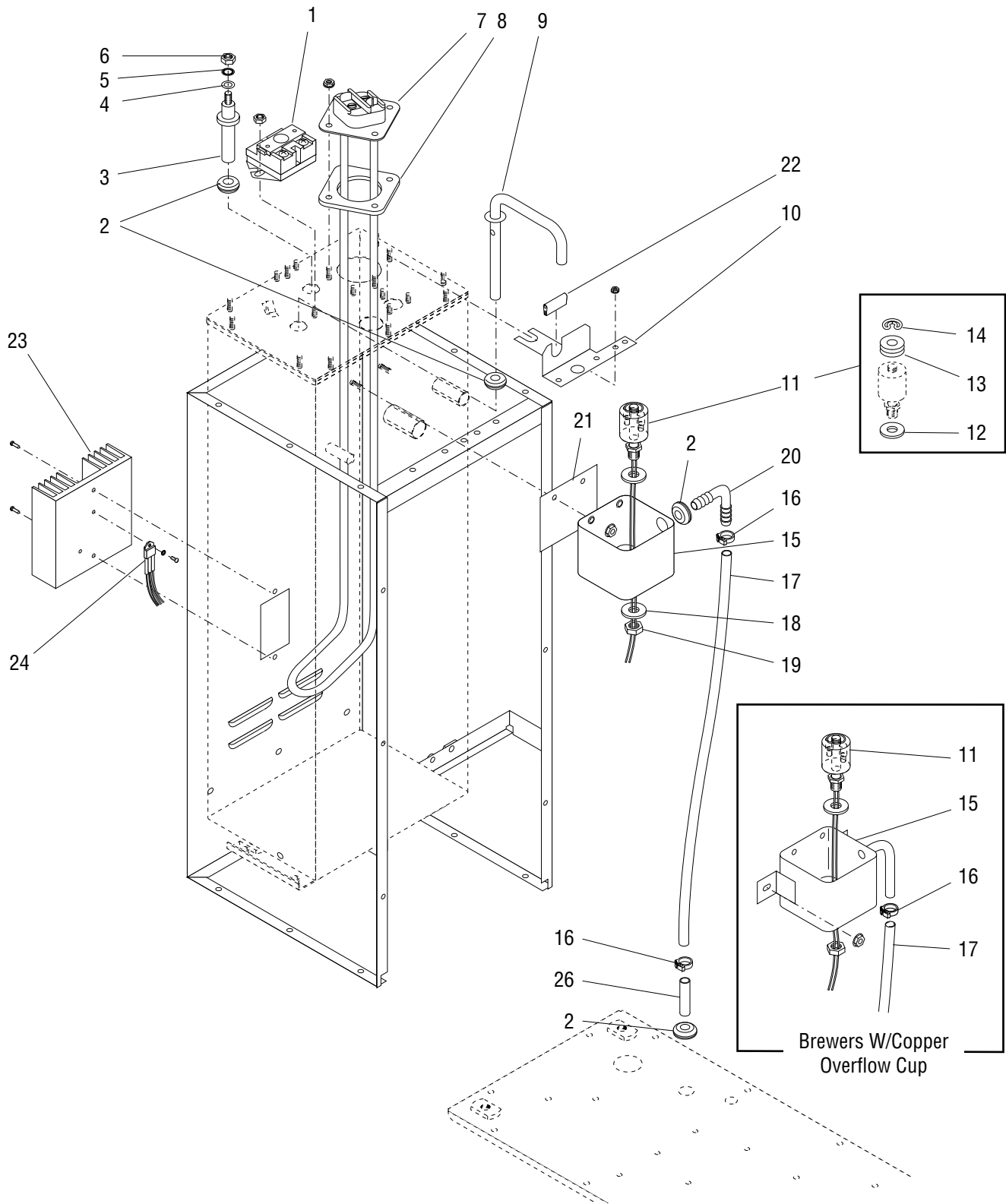


P2482.35

BASE - TRUNK - HOOD - COVERS & PANELS

ITEM	PART NO.	QTY.	DESCRIPTION
20	26207.0000	1	Plate, Tank Mounting
	02308.0000	5	Screw, Pan Head #8 - 32 x .375"
21	34020.0000	1	Plate, Decal Mounting (Models without Main Power Switch)
	02308.0000	2	Screw, Pan Head #8 - 32 x .375"
22	32649.0000	1	Plate, Cover
	00970.0000	2	Nut, Keps #8-32 } Models without Funnel Lock
23	00619.0000	1	Plug
24	00985.0000	1	Decal, Individual Circuit Info
25	21537.0001	2	Plate, Server Stop
	01347.0000	4	Screw, #6-32 x .38"
26	36398.0000	1	Hole Plug, DB-9 (Early models)
27	39803.0000	1	Decal, Main Switch (Models with Main Switch only)
28	13255.0003	-	Leg Kit (Includes 4 each of items 17 & 18) (Not illustrated)

* Indicates the part number listed is for reference only. See DESCRIPTION for possible service replacement.

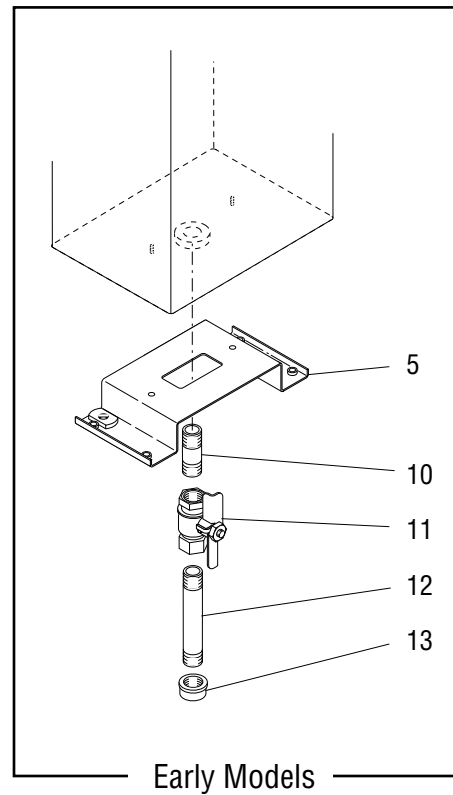
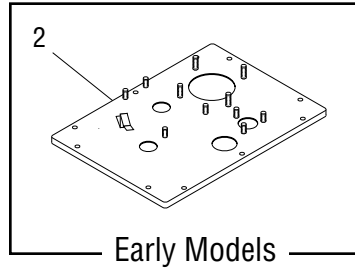
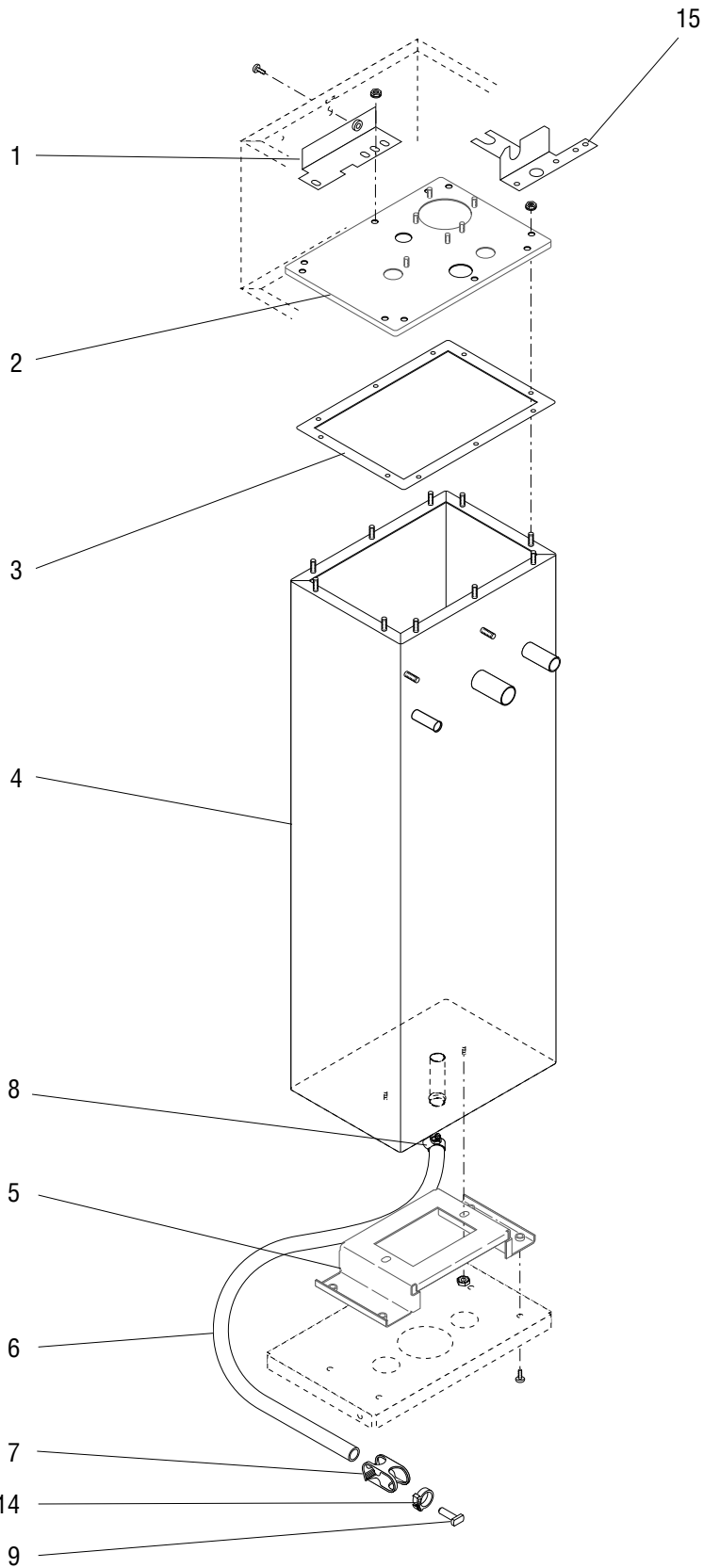


TANK HEATER & OVERFLOW PROTECTION DEVICES

ITEM	PART NO.	QTY.	DESCRIPTION
1	23717.0003 00908.0000	1 2	Thermostat, Limit Nut, Hex #8 - 32
2	02536.0000	4	Grommet, Probe (1 less used on brewers with Copper Overflow Cup)
3	20936.1000	1	Probe Kit (Includes items 4, 5 & 6)
4	01501.0000	1	Washer .164" I.D. x .375" O.D.
5	20203.0100	1	Lockwasher, Internal Tooth #8
6	00908.0000	1	Nut, Hex #8 - 32
7	12524.1000 20922.1000 12322.1000 12305.1000 12451.1000 00908.0000	1 1 1 1 1 4	Tank Heater 1800W @ 120V (Includes item 8) Tank Heater 3000W @ 240V (Includes item 8) Tank Heater 4000W @ 240V (Includes item 8) Tank Heater 4000W @ 208V (Includes item 8) Tank Heater 5000W @ 240V (Includes item 8) Nut, Hex #8 - 32
8	12398.0002	1	Gasket, Tank Heater
9	26622.0001	1	Tube Assy, Vent
10	27473.0000	1	Bracket, Vent Tube
11	03803.0000 03803.0002 00946.0000	1 1 1	Switch Assy, Liquid Level, 120V,120/240V & 200V (Includes items 12, 13 & 14) Switch Assy, Liquid Level, 230V (Includes items 12, 13 & 14) Nut, Hex .125" FPT
12	03633.0000	2	Gasket, Float Switch (Only 1 used in this application)
13	-----	3	Washer, Adjusting (DO NOT USE IN THIS APPLICATION)
14	03807.0000	1	Clip, Spring
15	22728.0000 41259.1003 00971.0000	1 1 2	Overflow Cup Assy Copper (Second type) (Also replaces aluminum cup) Kit, Overflow Cup (Aluminum) (Includes items 2,18, 20 & 21) Nut, Keps #10-32
16	12422.0000	2	Clamp, Hose .47"/.54" I.D.
17	03236.0007*	1	Tube, Silicone .312" I.D. x 29" (Order item 27)
18	04797.0000	1	Washer, Celcon .520" I.D. x 1.0" O.D.
19	00946.0000	1	Nut, Hex .125" FPT
20	41280.0001	1	Elbow,.375" Multi Barb
21	41266.0000	1	Film, Insulating
22	02434.0013*	1	U-Channel 1.0" (Order item 28)
23	20541.0001	1	Heat Sink, Aluminum
24	12565.0028 12565.0013 02328.0003 01520.0000	1 1 1 1	Triac Assy, 40 Amp (120V, 120/240V, 200V & 230V models) Triac Assy, 40 Amp (Early 230V Brewers with Thermal Fuzes) Screw, Pan Head #6-32 x .312" Lockwasher #6
25	M2522.1000	-	Heat Sink Compound (Not Illustrated)
26	21801.0002	1	Tube .375" O.D. x 1.50" LG
27	03236.1001 03236.1003 03236.1002	- - -	Tube, Silicone .312" I.D. x 36.0" Tube, Silicone .312" I.D. x 60.0" Tube, Silicone .312" I.D. x 120"
28	02434.1000	-	U-Channel 18.0" (Use as required)

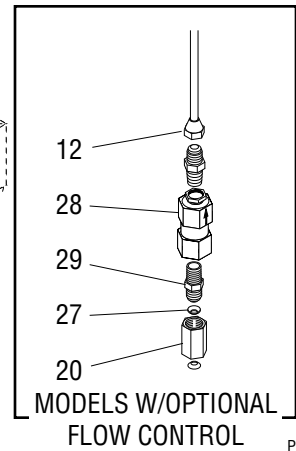
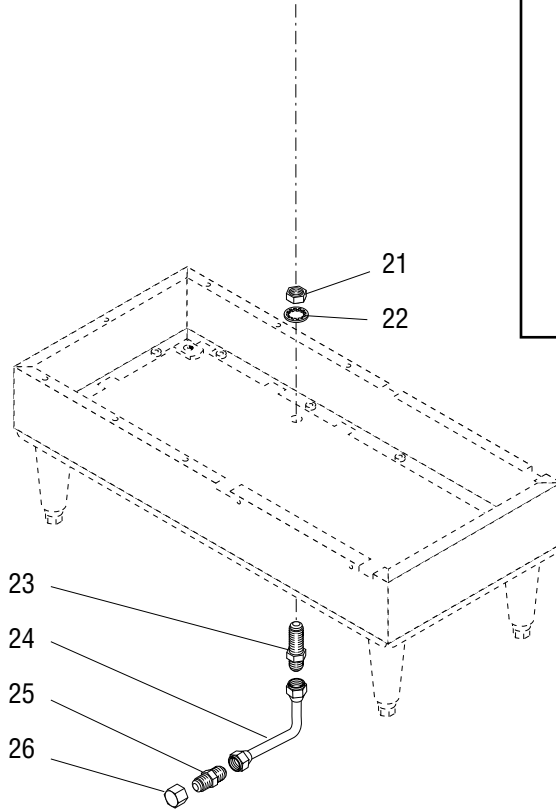
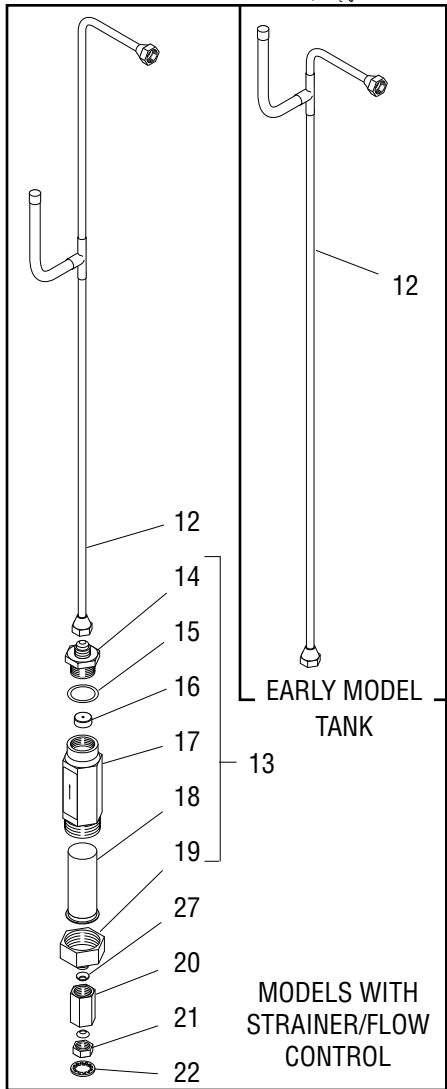
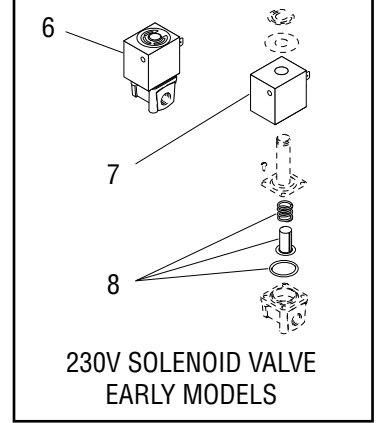
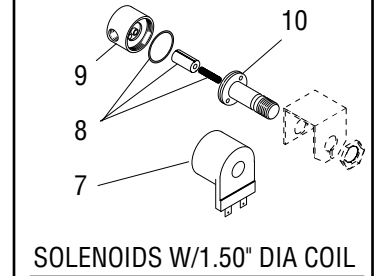
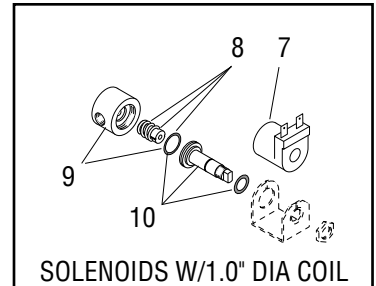
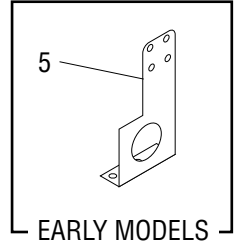
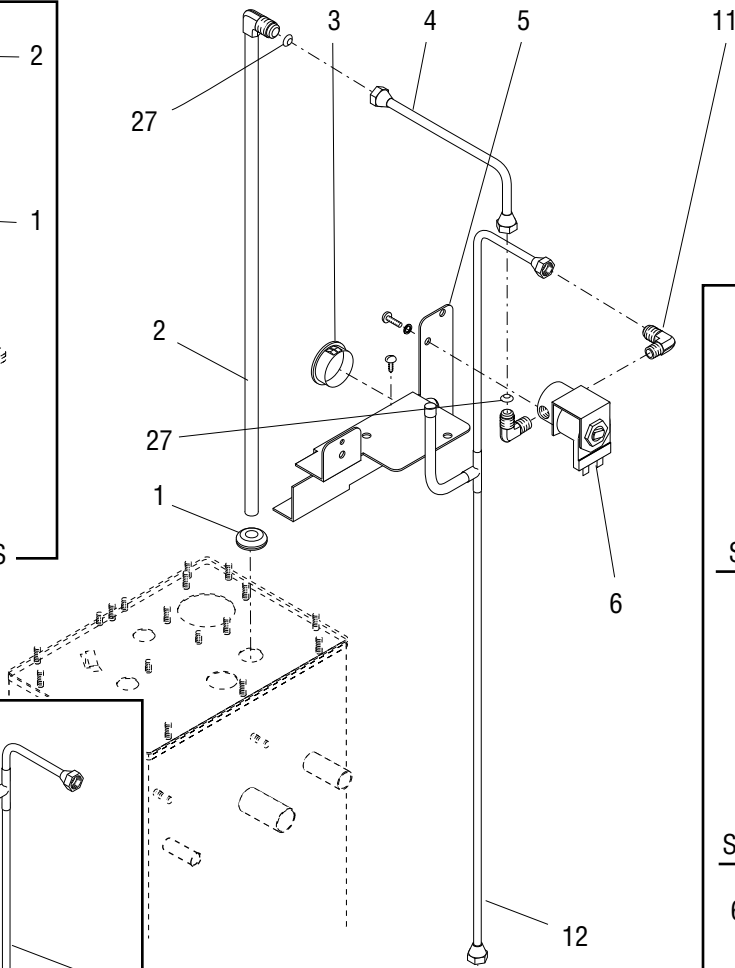
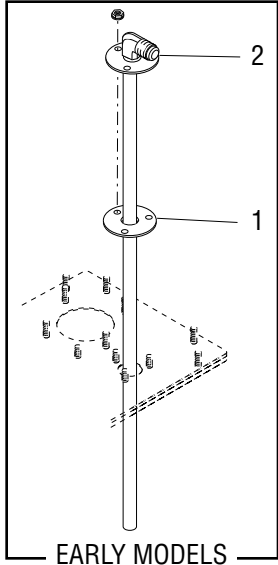
} Not illustrated

* Indicates the part number listed is for reference only. See DESCRIPTION for possible service replacement.



TANK AND MOUNTING BRACKETS

ITEM	PART NO.	QTY.	DESCRIPTION
1	28909.0000	1	Bracket, Tank Support (Top)
	02308.0000	1	Screw, Pan Head #8 - 32 x .375"
	00908.0000	2	Nut, Hex #8 - 32
2	22976.0001	1	Lid, Tank (Early models)
	22976.0004	1	Lid, Tank (Late models)
	00908.0000	10	Nut, Hex #8 - 32
3	22978.0000	1	Gasket, Tank
4	23324.1000	1	Tank Assy (Includes item 6) (Early models)
	22960.1008	1	Tank Assy (Late models)
5	23193.0000	1	Bracket, Tank Mounting (Bottom) (Early models)
	37541.0000	1	Bracket, Tank Mounting (Bottom) (Late models)
	00971.0000	2	Nut, Keps #10 - 32
	02308.0000	4	Screw, Pan Head #8 - 32 x .375"
6	32591.0011*	1	Tube, Silicone .50" I.D. x 36" LG (Order item 16)
7	11630.0001	1	Clamp, Tubing Shut Off .75" O.D.
8	29421.0000	1	Clamp, Hose-Worm Drive .625"/.75"
9	35086.0000	1	Plug, .50" I.D. Hose
10	32242.0000	1	Nipple, Brass 2.0"
11	35439.1000	1	Valve, Ball Shut-off
12	32242.0002	1	Nipple, Brass 5.0"
13	32241.0000	1	Cap
14	12422.0009	1	Clamp, Hose .71"/.80" I.D.
15	-----	1	Bracket, Vent Tube (See TANK HEATER & OVERFLOW PROTECTION)
16	32591.1002	-	Tube, Silicone .50" I.D. x 36" LG



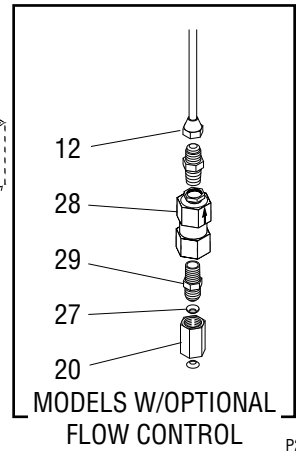
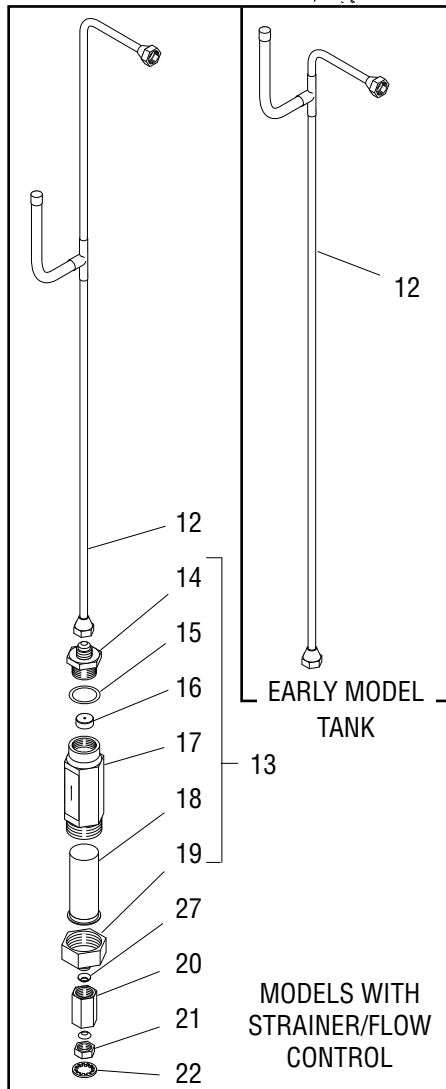
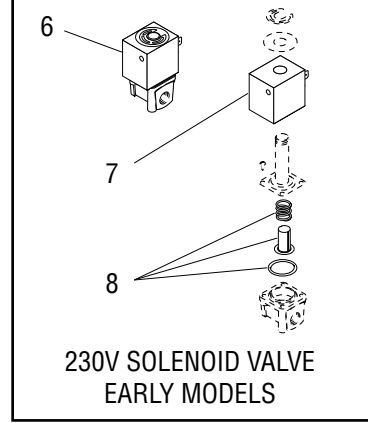
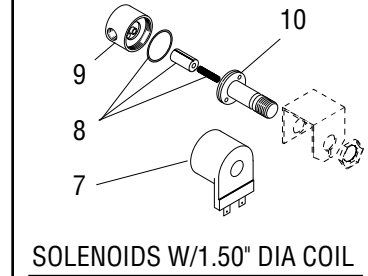
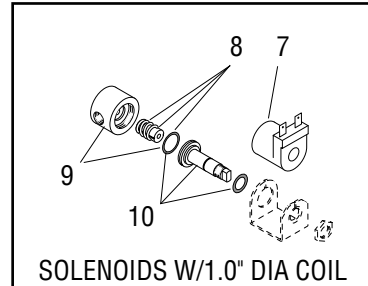
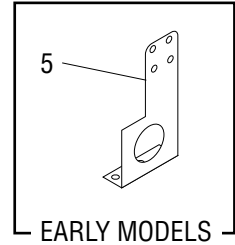
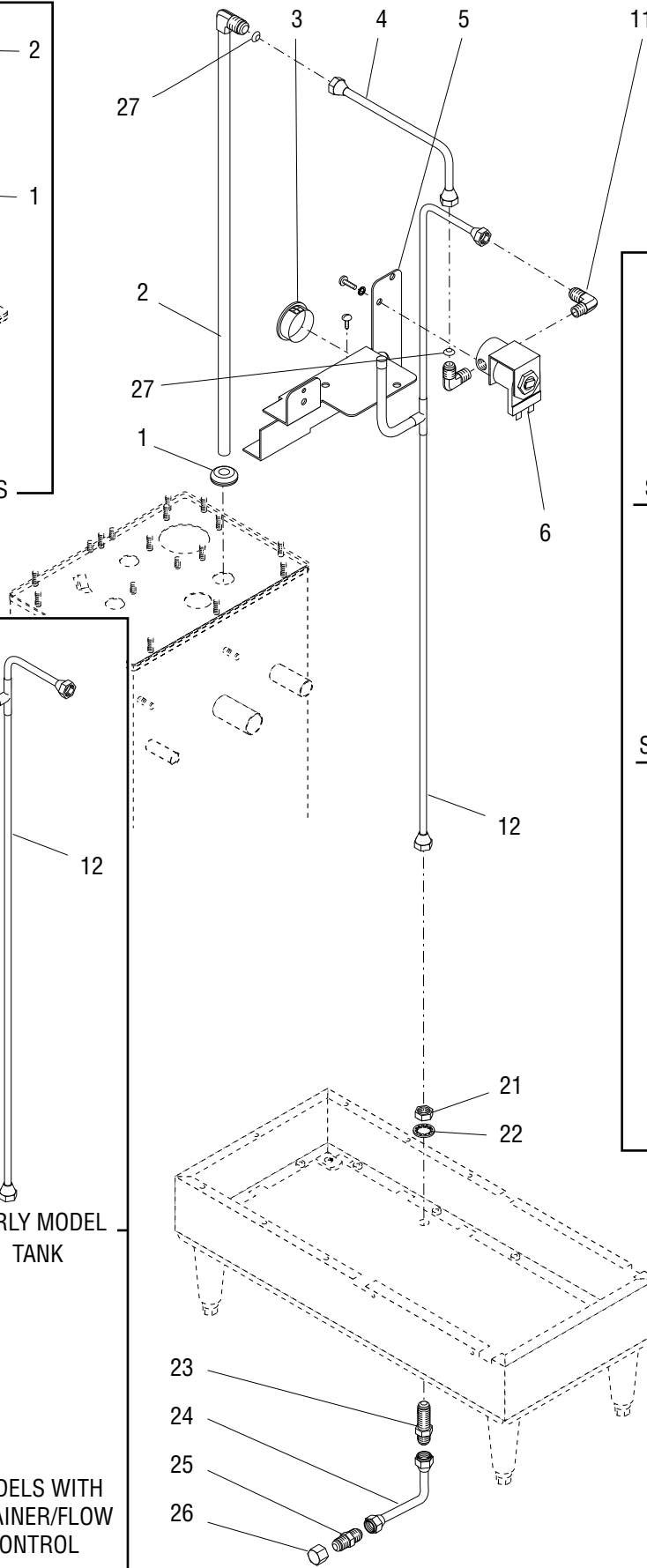
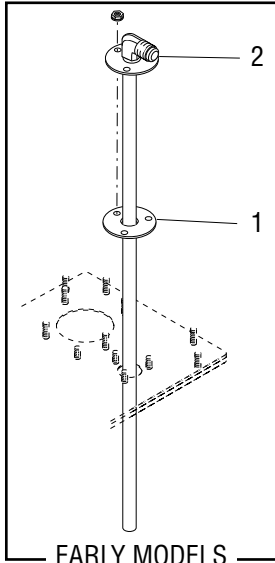
P2484

STRAINER/FLOW CONTROL - SOLENOID AND LINES

ITEM	PART NO.	QTY.	DESCRIPTION	
1	0515.0000	1	Gasket, Fill Tube (Early models)	
	02536.0000	1	Grommet, Fill Tube (Late models)	
2	22992.0001	1	Tube, Tank Fill (Early models)	
	20937.0000	1	Tube, Tank Fill (Late models)	
	00908.0000	3	Nut, Hex #8 - 32	
3	01592.0001	1	Bushing, Snap 1.88" Dia. Hole	
4	21812.0007	1	Tube Assy, Solenoid to Tank (Includes Nuts)	
5	-----	1	Bracket, Upper Component (Early models. Order late model bracket)	
	23015.0001	1	Bracket, Upper Component (Late models)	
	02308.0000	2	Screw, Pan Head #8 - 32 x .375"	
6	01085.0000	1	Solenoid Valve Assy, 120V - 1.48" Dia Coil (Without Inlet Screen)	
	01085.1006	1	Solenoid Valve Assy, 120V - 1.48" Dia Coil (With Inlet Screen)	
	01085.0002	1	Solenoid Valve Assy, 120V - 1.0" Dia Coil	
	21180.0001	1	Solenoid Valve Assy 200V - 1.50" Dia Coil	
	01975.0000	1	Solenoid Valve Assy 230V - 1.50" Dia Coil (Late models) Without Inlet Screen)	
	01085.1007	1	Solenoid Valve Assy, 240V - 1.48" Dia Coil (With Inlet Screen)	
	01327.0000	2	Screw, Pan Head #10 - 32 x .375"	
	01502.0000	2	Lockwasher, Split #10	
	28005.0000	1	Solenoid Valve Assy 230V (Includes items 7 & 8)	} Early models
	01315.0000	2	Screw, Truss Head #8 - 32 x .38"	
	01519.0000	2	Lockwasher, Split #8	
	7	01101.0000	1	Solenoid Valve Coil, 120V - 1.50" Dia
28480.0000		1	Solenoid Valve Coil, 120V - 1.0" Dia	
21181.0000		1	Solenoid Valve Coil, 200V	
28020.0000		1	Solenoid Valve Coil, 230V (Early models)	
01100.0000		1	Solenoid Valve Coil, 230V (Late models)	
8	01111.0000	1	Solenoid Valve Repair Kit - 1.50" Dia Coil (Includes Plunger, Seal and Spring)	
	01111.0002	1	Solenoid Valve Repair Kit - 1.0" Dia Coil (Includes Plunger, Spring and O-ring)	
	28021.0000	1	Solenoid Valve Repair Kit, 230V (Early models)	
9	01079.0000	1	Solenoid Valve Base - 1.50" Dia Coil (Without Screen)	
	28479.0000	1	Solenoid Valve Base Kit - 1.0" Dia Coil (Includes O-ring)	
10	01116.0000	1	Guide - 1.50" Dia Coil	
	28481.0000	1	Guide Kit - 1.0" Dia Coil	
11	00400.0001	2	Elbow, Male .250" Flare x .125" MPT	
12	25160.0001	1	Tube Assy, Strainer/Flow Cont. to Solenoid (Early model Tanks)	
	38342.0001	1	Tube Assy, Strainer/Flow Cont. to Solenoid (Late model Tanks W/Strainer/Flow Cont.)	
	38342.0002	1	Tube Assy, Bulkhead to Solenoid (Late model Tanks W/O Strainer/Flow Control)	
	38342.0003	1	Tube Assy, Bulkhead to Solenoid (Brewers with Product # 33600.0006 & 33600.0021)	
13	22300.0500	1	Strainer/Flow Control Assy (Includes items 14 thru 19)	} Models W/Strainer Assy or Strainer/Flow Control Assy only
	23820.0000	1	Strainer Assy (Includes items 17 thru 19) (Brewers with Product # 33600.0006 & 33600.0021)	
14	01154.0000	1	Flow Control Outlet	
15	01155.0000	1	Flow Control Gasket	
16	20526.1500	1	Flow Washer & Gasket .500 GPM (Includes item 15)	
17	-----	1	Body (Not available order item 13)	
18	23721.0000	1	Screen	
19	22249.0000	1	End Cap	

(continued)

* Indicates the part number listed is for reference only. See DESCRIPTION for possible service replacement.

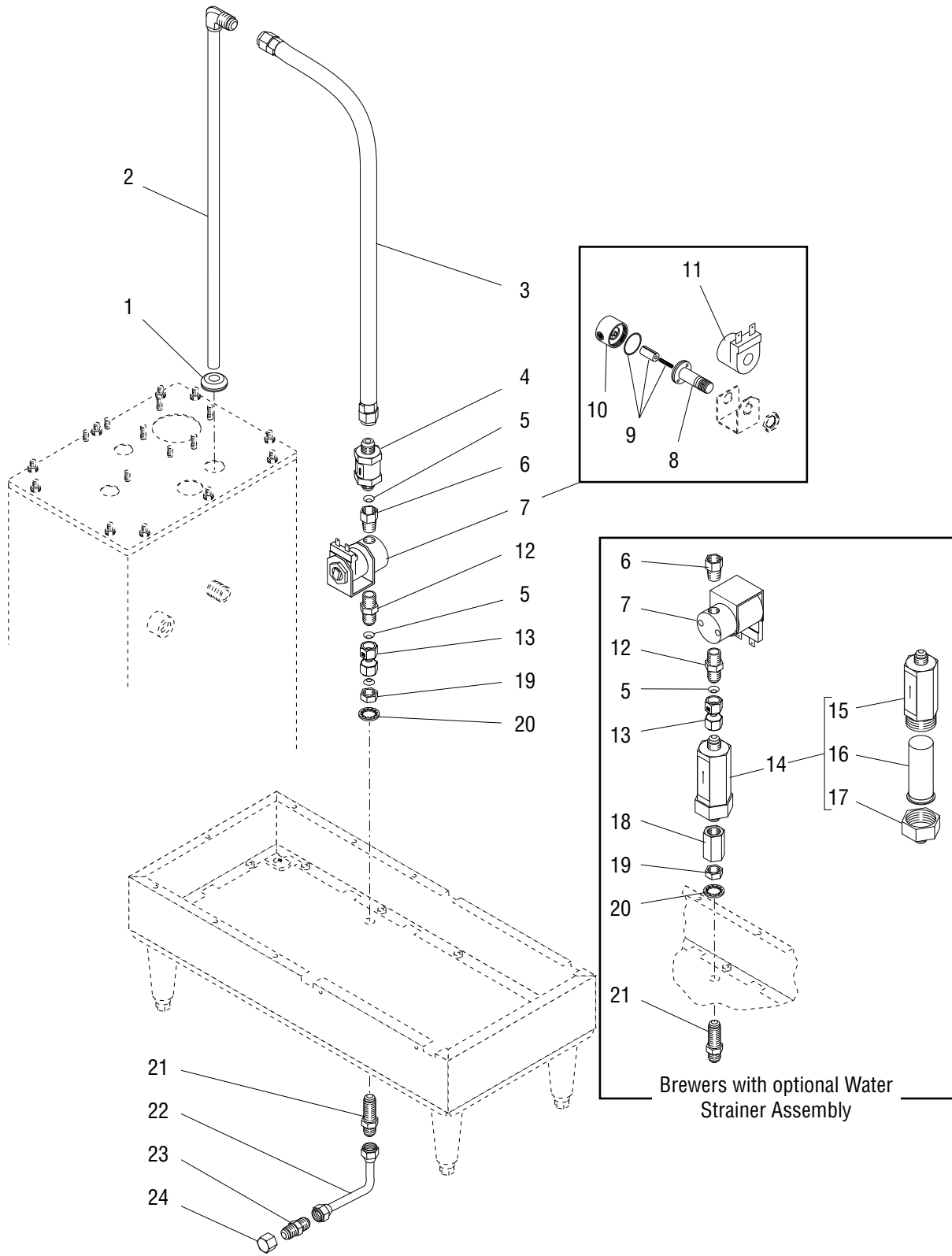


P2484

STRAINER/FLOW CONTROL - SOLENOID AND LINES

ITEM	PART NO.	QTY.	DESCRIPTION
20	24614.0001	1	Union .25" FFL x .25" FFL (Models W/Strainer/Flow Control only)
21	00463.0000	1	Nut, Hex .438" - 20
22	01532.0000	1	Lockwasher, Internal Tooth .438" I.D.
23	00459.0000	1	Bulkhead Fitting .250" Flare
24	00310.0002	1	Tube Assy, Bulkhead to Supply
25	00436.0001	1	Union .250" Male Flare
26	00935.0000	1	Cap (For shipping purposes only)
27	24684.0000	2	Gasket, Copper
28	27596.1750	1	Strainer/Flow Control Assy (Includes Item 29)
29	00423.0000	2	Connector, .25 FLR x .25 MPT

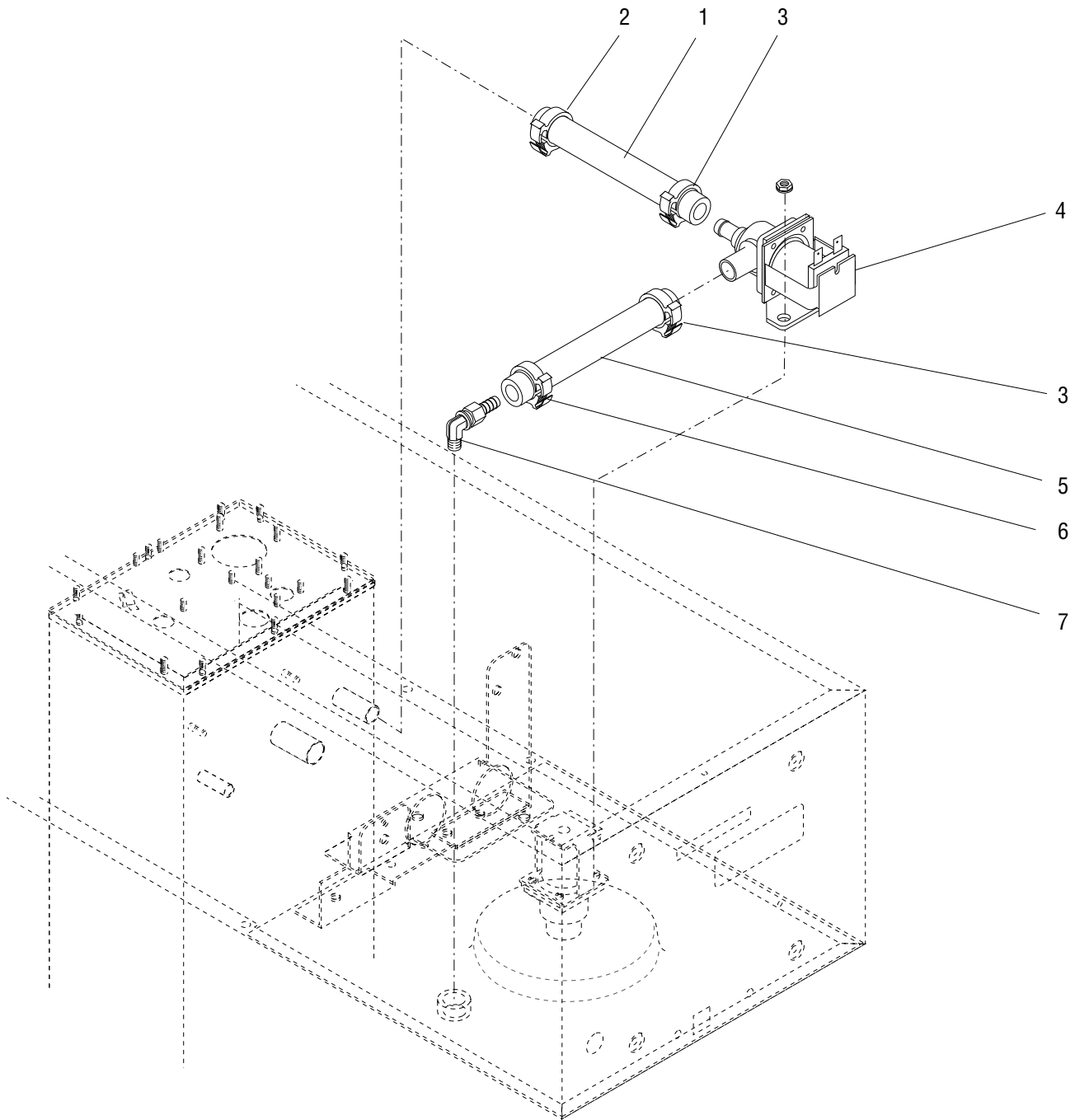
} Optional



SOLENOID AND LINES (MODELS W/BACKFLOW PREVENTION)

ITEM	PART NO.	QTY.	DESCRIPTION
1	02536.0000	1	Grommet, Fill Tube
2	20937.0000	1	Tube, Tank Fill
3	20977.1003	1	Tube Assy, Solenoid to Tank (29")
	20977.1001	1	Tube Assy, Solenoid to Tank (27") (Brewers with optional Water Strainer Assembly)
4	01171.0001	1	Check Valve
5	24684.0000	2	Gasket, Copper
6	24613.0001	1	Adapter, .25 NPT Female x .125" MPT
7	01085.1007	1	Solenoid Valve Assy, 240V (With Inlet Screen)
	01327.0000	2	Screw, Pan Head #10 - 32 x .375"
	01502.0000	2	Lockwasher, Split #10
8	01116.0000	1	Sleeve Assy, Solenoid Valve
9	01111.0000	1	Solenoid Valve Repair Kit (Includes Plunger, Spring and Seal)
10	01079.0000	1	Solenoid Valve Base (Without Screen)
11	01100.0000	1	Solenoid Valve Coil, 240V
12	00402.0001	1	Connector .250" Flare x .125" MPT
13	00483.0000	1	Connector, Swivel Nut .25" FFL x .25" FFL
14	23820.0000	1	Strainer Assy, Water (Includes items 15, 16 and 17)
15	23819.0000*	1	Body (Not available order item 14)
16	23721.0000	1	Screen
17	22249.0000	1	End Cap
18	24614.0001	1	Union .25" FFL x .25" FFL
19	00463.0000	1	Nut, Hex .438" - 20
20	01532.0000	1	Lockwasher, Internal Tooth .438" I.D.
21	00459.0000	1	Bulkhead Fitting .250" Flare
22	00310.0002	1	Tube Assy, Bulkhead to Supply
23	00436.0001	1	Union, .250" Male Flare
24	00935.0000	1	Cap (For shipping purposes only)

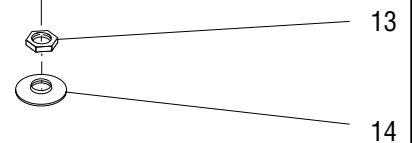
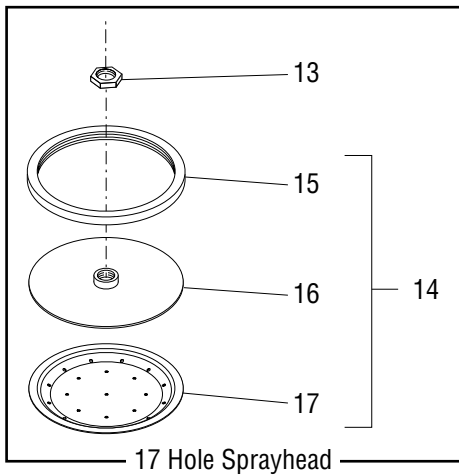
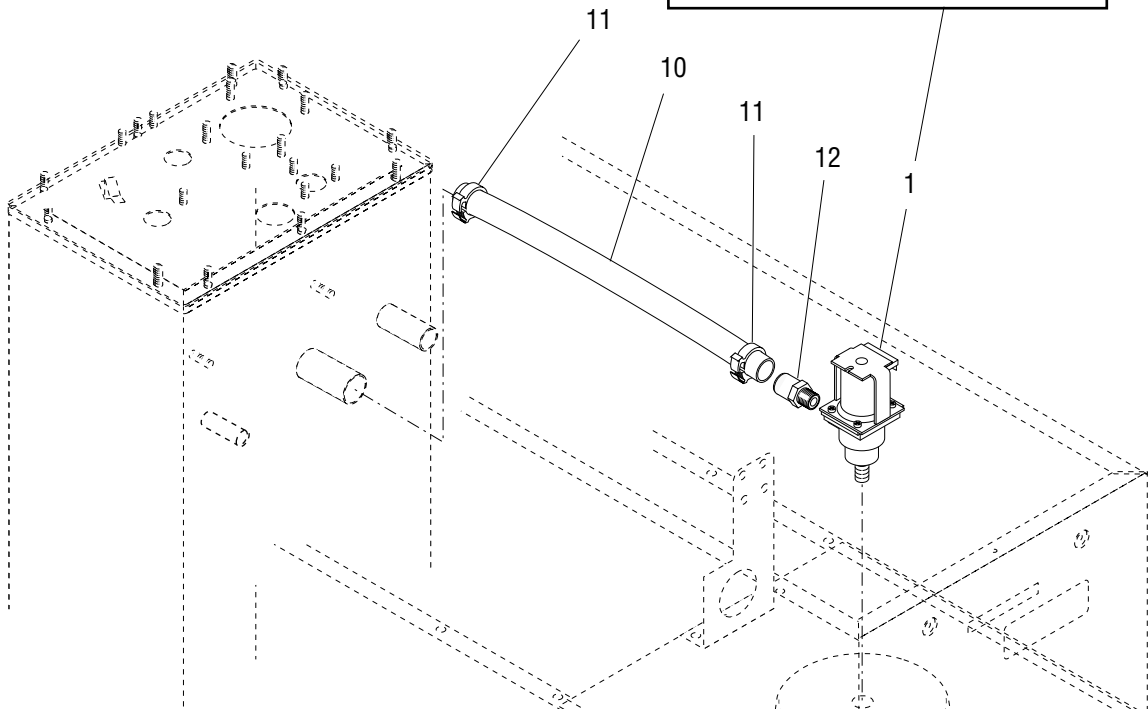
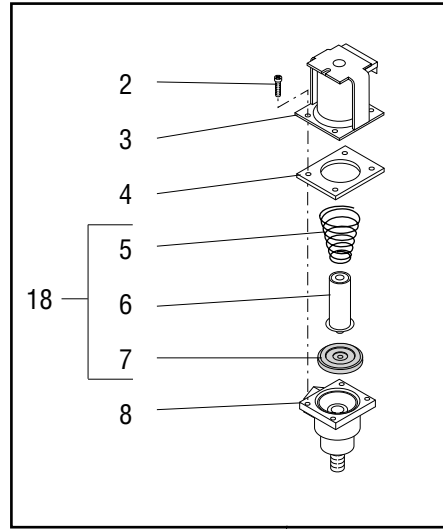
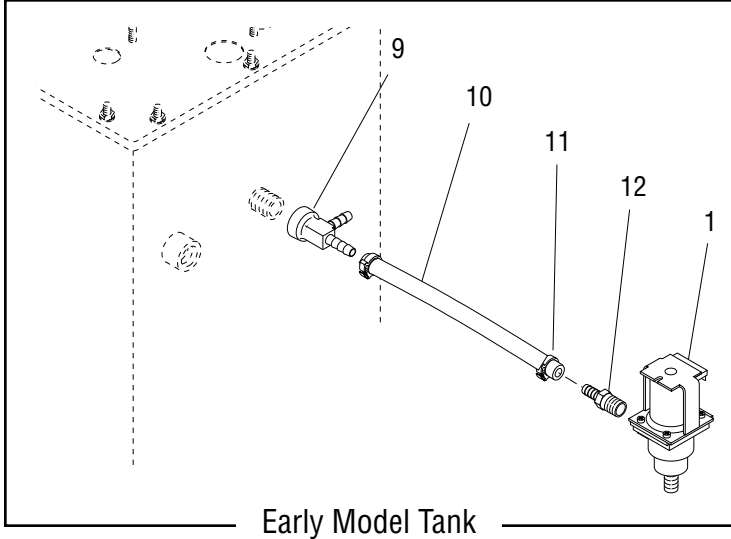
Brewers with optional Water Strainer Assembly



WATER BY-PASS

ITEM	PART NO.	QTY.	DESCRIPTION
1	20976.0045*	1	Tube, Silicone .375" I.D. x 6.50" (Order item 8) (Early model Tank)
	32591.0019*	1	Tube, Silicone .50" I.D. x 4.25" (Order item 9) (Late model Tank)
2	12422.0001	1	Clamp, Hose .59"/.66" I.D. (Early model Tank)
	12422.0009	1	Clamp, Hose .71"/.80" I.D. (Late model Tank)
3	12422.0005	2	Clamp, Hose .62"/.71" I.D.
4	27370.0003	1	Valve Assy, By-Pass 120V
	27370.0004	1	Valve Assy, By-Pass 200V
	27370.0005	1	Valve Assy, By-Pass 230V
	00970.0000	2	Nut, Keps #8 - 32
5	20976.0006*	1	Tube, Silicone .375" I.D. x 4.50" (Order item 8) (Early model Tank)
	20976.0051*	1	Tube, Silicone .375" I.D. x 6.00" (Order item 8) (Late model Tank)
6	12422.0001	1	Clamp, Hose .59"/.66" I.D.
7	32648.0000	1	Elbow Assy
8	20976.1000	-	Tube, Silicone .375" I.D. x 12.0"
	20976.1001	-	Tube, Silicone .375" I.D. x 36.0"
	20976.1002	-	Tube, Silicone .375" I.D. x 120.0"
9	32591.1000	-	Tube, Silicone .50" I.D. x 36.0"

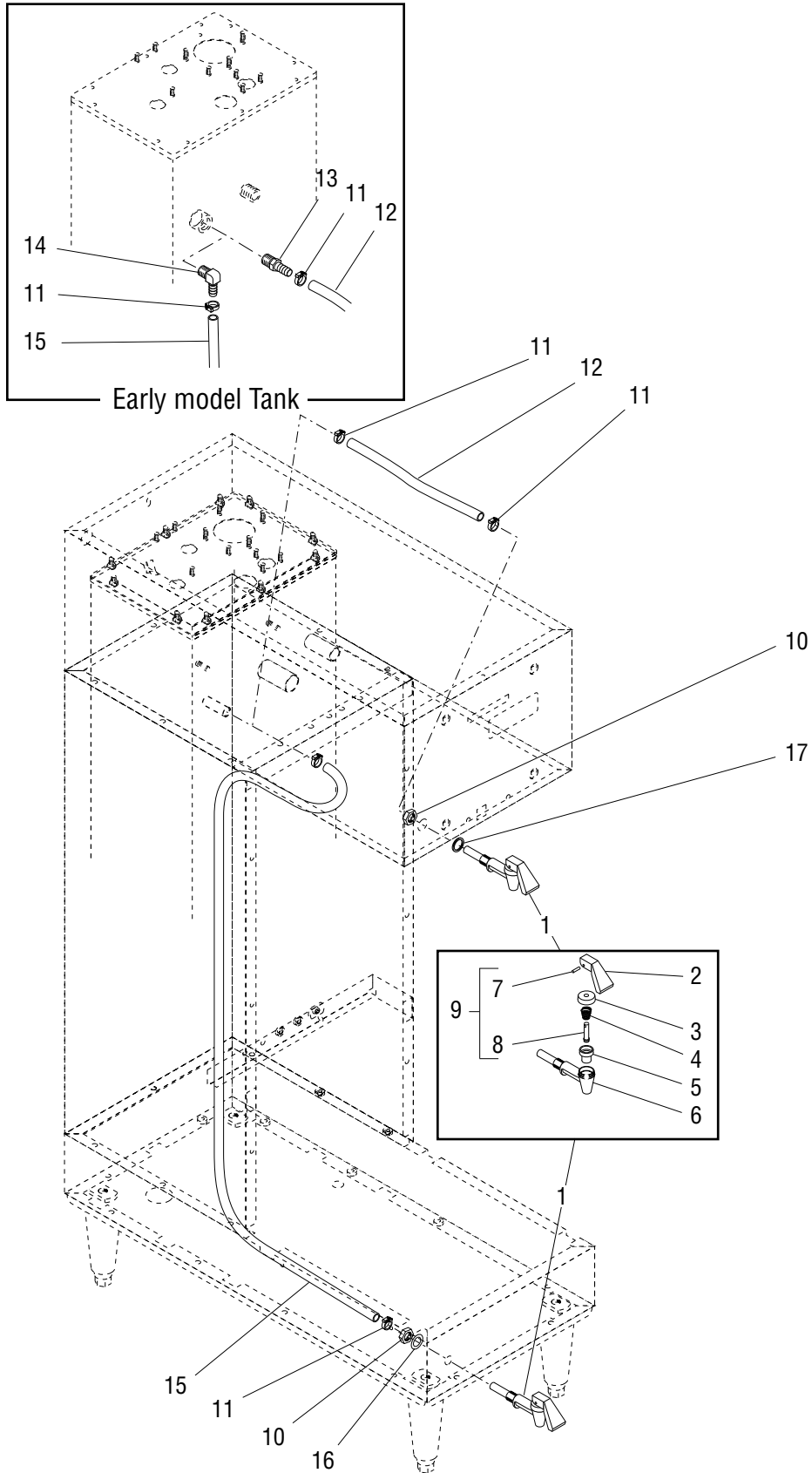
} Not illustrated



SPRAYHEAD VALVE AND SPRAYHEAD

ITEM	PART NO.	QTY.	DESCRIPTION	
1	26846.0000	1	Valve Assy, Sprayhead, 120V (Includes items 2 thru 8)	
	26846.0001	1	Valve Assy, Sprayhead, 200V (Includes items 2 thru 8)	
	26846.0002	1	Valve Assy, Sprayhead, 230V (Includes items 2 thru 8)	
2	23254.0000	4	Screw #8 - 32	
3	22305.0000	1	Coil Assy, Valve, 120V	
	22305.0003	1	Coil Assy, Valve 200V	
	22305.0002	1	Coil Assy, Valve 230V	
4	23256.0000	1	Spacer Plate	
5	-----	1	Spring (Not available order item 18)	
6	-----	1	Plunger (Not available order item 18)	
7	23255.0000	1	Diaphragm	
8	-----	1	Body (Not available order item 1)	
9	26924.0000	1	Tee, Run .25" MPTF x .38" x .38" Barb (Early model Tank only)	
10	20976.0006*	1	Tube, Silicone .38" I.D. x 4.50" (Order item 19) (Early model Tank)	
	35052.0000*	1	Tube, Silicone .75" I.D. x 6.25" (Order item 20) (Late model Tank)	
11	12422.0001	2	Clamp, Hose .59"/.66" I. D. (Early model Tank)	
	12422.0008	2	Clamp, Hose .93"/1.1" I. D. (Late model Tank)	
12	21136.0001	1	Fitting, Barb .375" x .25" MPT (Early model Tank)	
	34956.0001	1	Fitting, .25" MPT .281" I.D. (Late model Tank)	
13	01075.0000	1	Nut, Hex .438" - 20	
14	01082.0000	1	Sprayhead 6 Hole (6-078) (Optional)	
	01082.0002	1	Sprayhead 6 Hole (6-098)	
	35308.1005	1	Sprayhead Assy, 17 Hole (Includes one each of items 15 - 17)	
15	34868.0000	1	Seal, Sprayhead	
16	35070.0001	1	Sprayhead Back	
17	34867.0005	1	Sprayhead	
18	11517.0008	-	Solenoid Valve Repair Kit (Includes one each of items 5, 6 & 7)	} Not illustrated
19	20976.1000	-	Tube, Silicone .375" I.D. x 12.0"	
	20976.1001	-	Tube, Silicone .375" I.D. x 36.0"	
	20976.1002	-	Tube, Silicone .375" I.D. x 120.0"	
20	35052.1000	-	Tube, Silicone .75" X 12.0"	

* Indicates the part number listed is for reference only. See DESCRIPTION for possible service replacement.

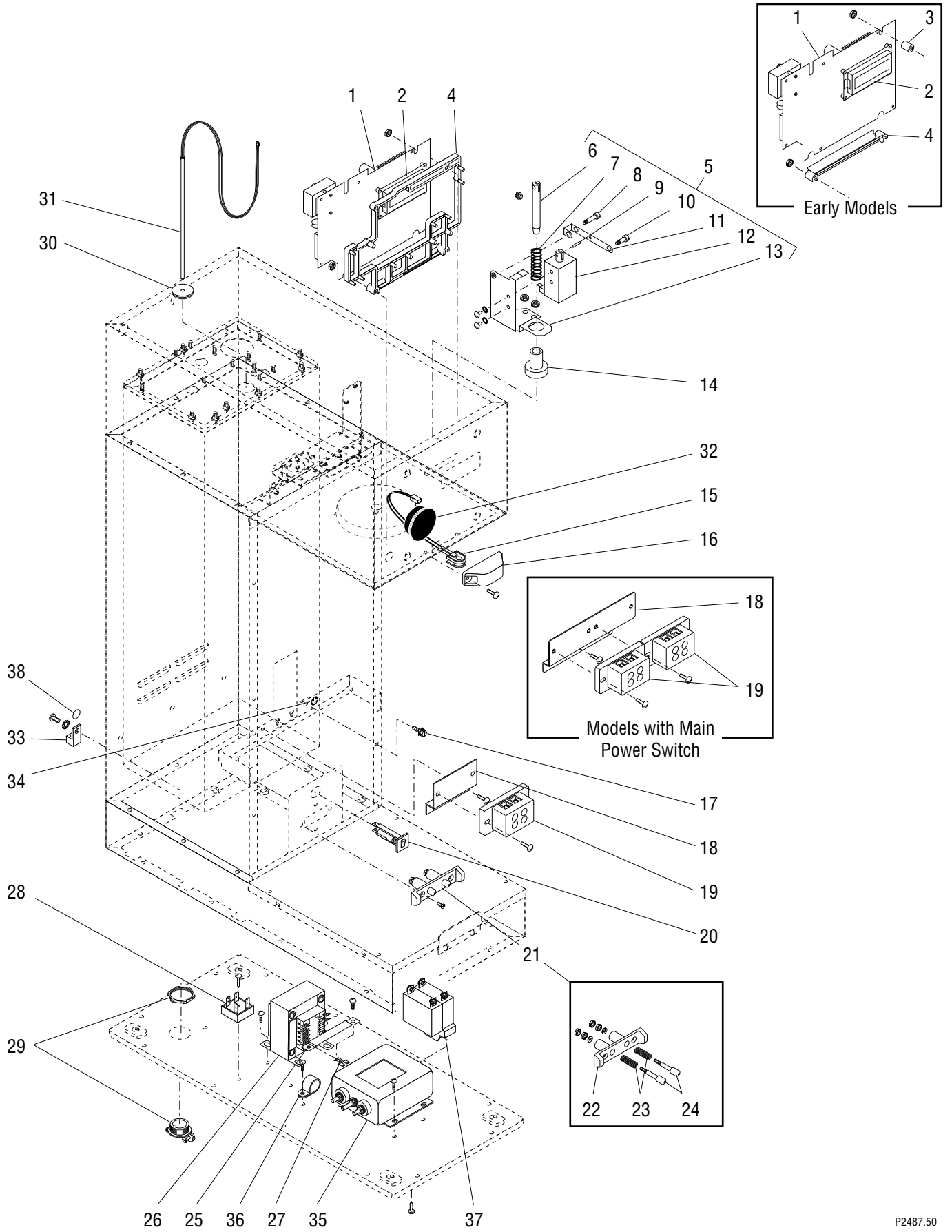


Only one Faucet location option (Upper or Lower) is applicable to each Brewer

FAUCET

ITEM	PART NO.	QTY.	DESCRIPTION
1	29075.0000	1	Faucet Assy (Includes items 2 thru 8)
2	02861.0003	1	Handle, Red "Warning Hot Water"
3	02854.0000	1	Bonnet
4	02595.0000	1	Spring
5	02766.0000	1	Cup
6	02856.0005*	1	Body (Order item 1)
7	02858.0000	1	Pin, Spring
8	13054.0000	1	Stem
9	02594.0000	1	Faucet Stem w/Pin (Includes items 7 and 8)
10	00942.0000	1	Nut, Hex Brass .50"
11	12422.0001	2	Clamp, Hose-Snap Type .59-.66"ID
12	20976.0003*	1	Tube .38" ID x 10.5" (Order item 18) (Early model Tank)
	20976.0065*	1	Tube .38" ID x 12.0" (Order item 18) (Late model Tank)
13	21136.0001	1	Fitting .38"barb x .25" MPT (Early model Tank only)
14	20202.1601	1	Elbow, 90° .375" Barb x .25" MPT (Early model Tank only)
15	20976.0079*	1	Tube, Silicone .38" I.D. x 38.0" (Order item 18) (Early model Tank)
	20976.0066*	1	Tube, Silicone .38" I.D. x 48.0" (Order item 18) (Late model Tank)
16	01532.0005	1	Washer, Intl Tooth .50" Lock
17	01532.0005	1	Washer, Intl Tooth .50" Lock (Late models)
18	20976.1000	-	Tube, Silicone .38" I.D. x 12.0"
	20976.1001	-	Tube, Silicone .38" I.D. x 36.0"
	20976.1002	-	Tube, Silicone .38" I.D. x 120.0"
19	M2517.0000	-	Sealant, Pipe 6 ml

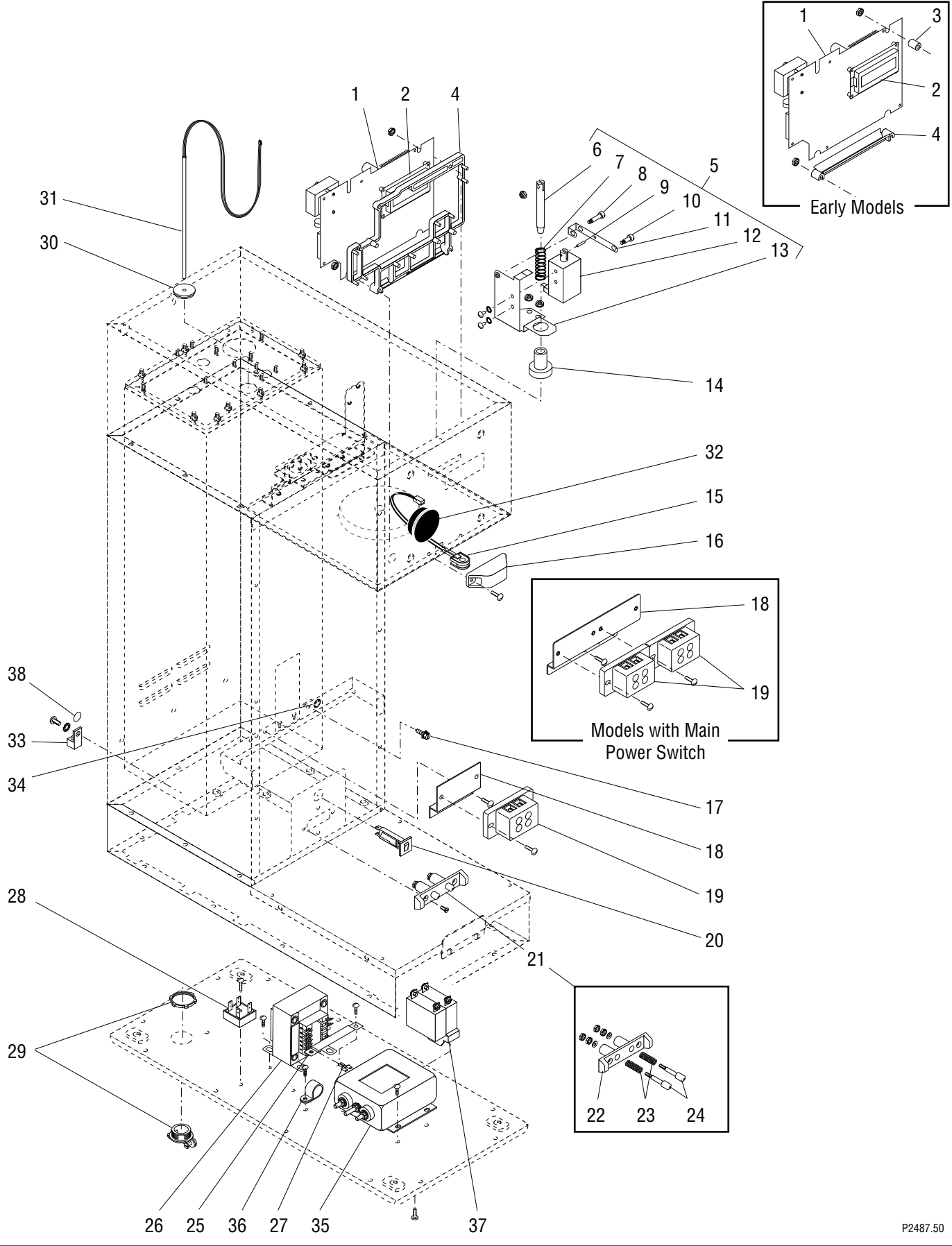
} Not Illustrated



ELECTRICAL CONTROLS

ITEM	PART NO.	QTY.	DESCRIPTION
1	29969.1000	1	Circuit Board, Main control, 120/240V
	29969.1003	1	Circuit Board, Main control, 200V
	29969.1025	1	Circuit Board, Main control, 200V (Brewers with Product # 33600.0019 only)
	38358.1006	1	Circuit Board, Main control, 240V RoHS (Models with 17 hole Sprayhead)
	38358.1000	1	Circuit Board, Main control, 240V RoHS
	29969.1004	1	Circuit Board, Main control, 120V
	00973.0000	2	Nut, Keps #6-32
2	35493.1002	1	CBA, Display
3	01533.0006	2	Spacer (Early models)
4	29970.0000	1	Mount, Circuit Board (Early models)
	40726.0000	1	Mount, Circuit Board (Late models)
	00973.0000	2	Nut, Keps #6-32
5	29499.1000	1	Solenoid Assy 120V & 120/240V Models (Includes items 6 thru 13)
	29499.1001	1	Solenoid Assy 200 & 230V Models (Includes items 6 thru 13)
6	29494.0000	1	Pin, Funnel Stop
7	28897.0000	1	Spring, Compression
8	29504.0001	1	Shoulder Screw
9	26247.0001	1	Pin, Spring
10	29504.0000	1	Shoulder Screw
	00991.0000	1	Nut, Elastic Lock #8-32
11	29493.0000	1	Lever
12	29503.0000	1	Coil, Solenoid 120V & 120/240V Models
	29503.0001	1	Coil, Solenoid 200V & 230V Models
	01519.0000	2	Lockwasher #8
	33613.0000	2	Screw, Truss Head #8-32 x .25"
13	29492.0000	1	Bracket, Solenoid
	00970.0000	2	Nut, Keps #8-32
14	29495.0000	1	Guide, Pin
15	-----	1	Sensing Coil WO/Leads (Early models) (Not available order item 46)
	32572.1001	1	Sensing Coil W/Violet Leads (Includes plug below) (Late models)
	20621.0000	1	Plug, hole .203" Dia. (Not illustrated)
16	32573.0000	1	Cover, Sensing Coil
	01382.0007	2	Screw, Truss Head #6-32 x .38"
17	01309.0000	1	Ground Screw W/Terminal Washer #10-32 x .50" (120V, 120/240V & 200V Models)
	01375.0000	1	Ground Screw, Pan Head, Slotted, Brass #10-32 x .50" } 230V Models
	01512.0000	1	Lockwasher, Ext. tooth #10 }
18	23004.0000	1	Bracket, Terminal Block Mounting
	39248.0001	1	Bracket, Terminal Block Mounting (Models with Main Power Switch)
	02308.0000	2	Screw, Pan Head #8-32 x .38"

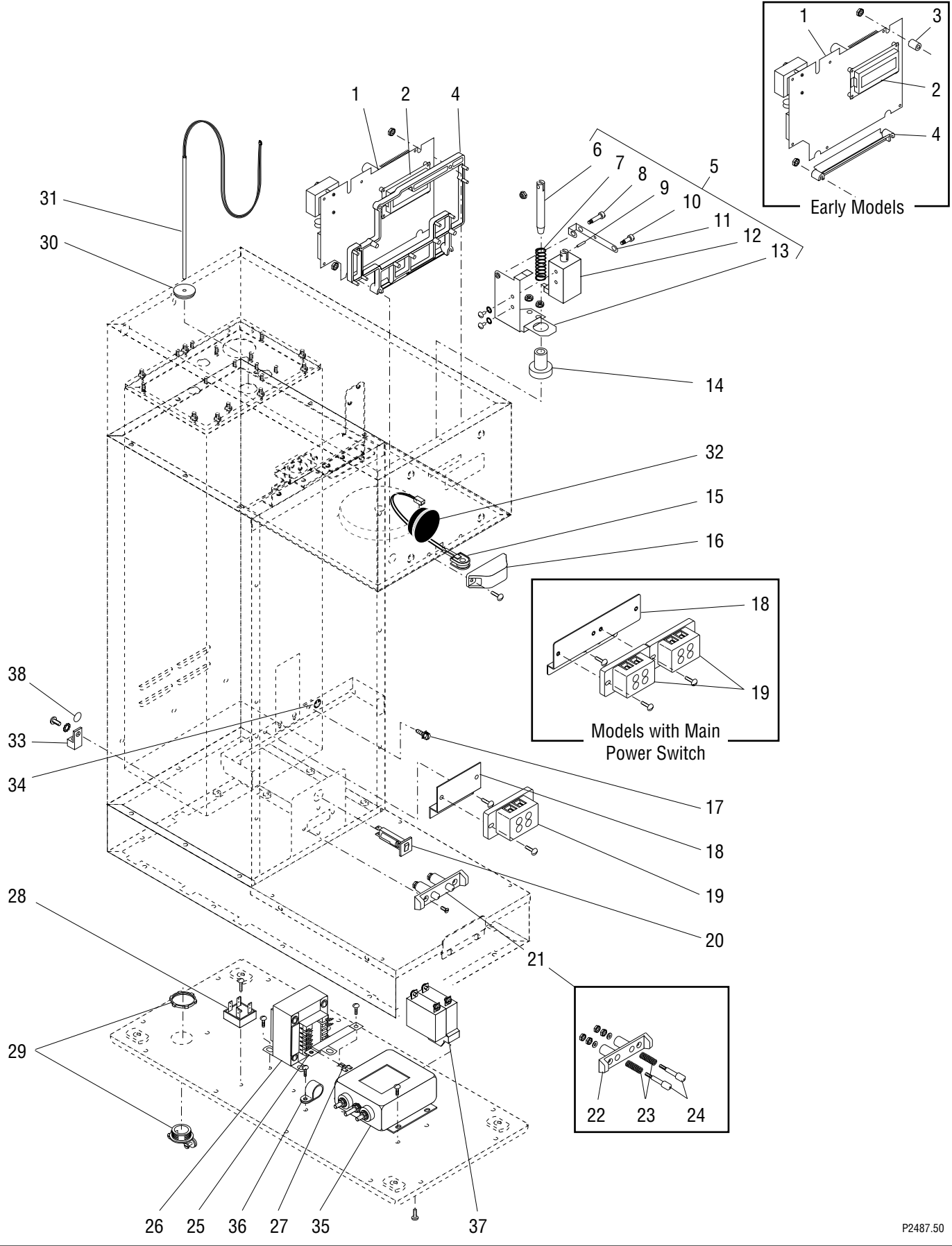
(Continued)



ELECTRICAL CONTROLS

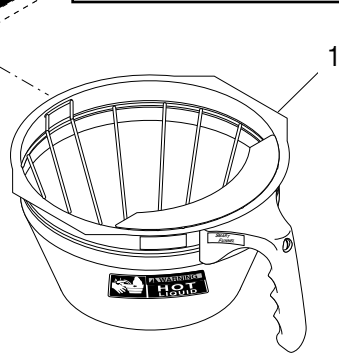
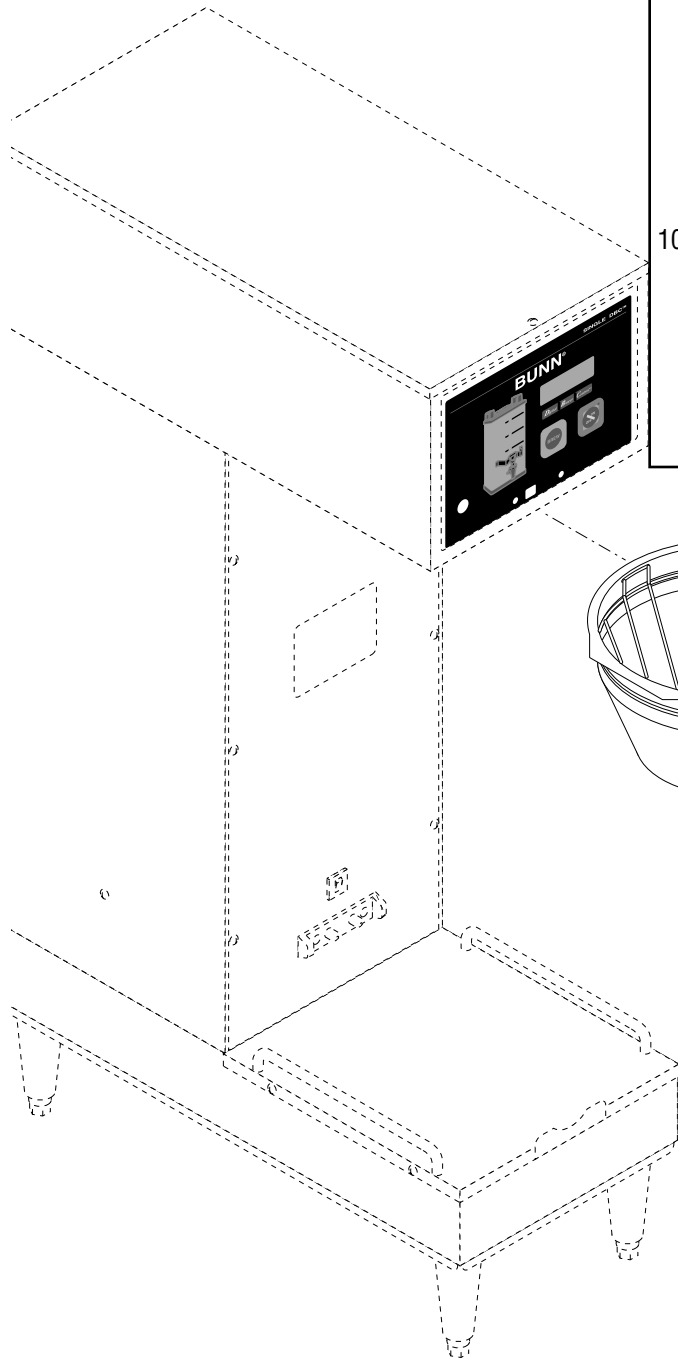
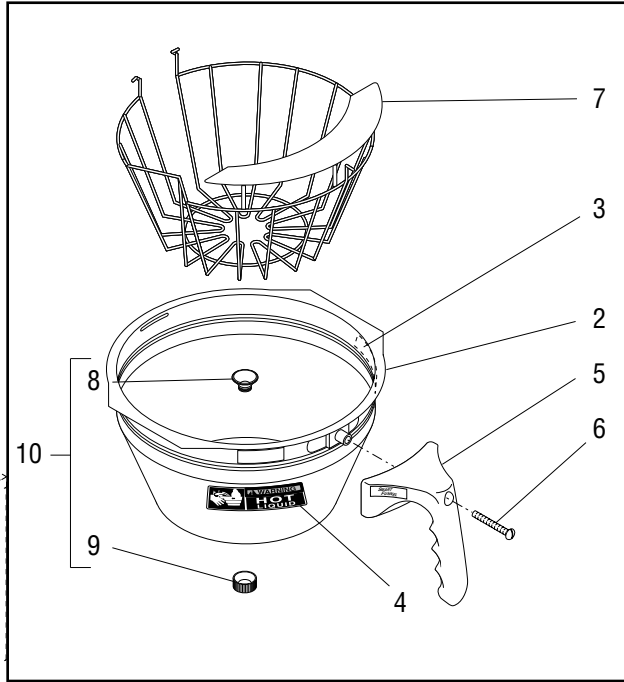
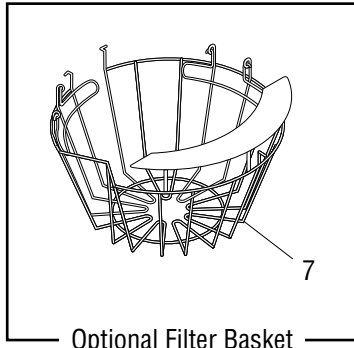
ITEM	PART NO.	QTY.	DESCRIPTION
19	01106.0000	1	Terminal Block, 2 Pole WHITE/BLACK
	01106.0001	1	Terminal Block, 2 Pole RED/BLACK
	01106.0003	1	Terminal Block, 2 Pole BLUE/BROWN
	07038.0000	1	Terminal Block, 3 Pole RED/WHITE/BLACK
	07038.0001	1	Terminal Block, 3 Pole RED/BLUE/BLACK
	01317.0000	2	Screw, Truss Head #8-32 x .50"
20	27181.0001	1	Circuit Breaker, 4 amp
21	27790.1000	1	Receptacle Assembly, Spring Contact (Includes items 22, 23 & 24)
	20608.0000	2	Screw, Flat Head #6-32 x .375" SST Black
22	27746.0000	1	Housing, Spring Contact
23	27788.0000	2	Spring
24	27748.0000	2	Pin, Contact
	01521.0000	2	Washer, Flat
	00973.0000	4	Nut, Keps #6-32 - Zinc Pl
25	28264.0000	1	Strap, Transformer Holddown
	01347.0000	2	Screw, Truss Head #6-32 x .375"
26	27253.0001	1	Transformer, 80VA, (120V & 120/240V models)
	29179.0001	1	Transformer, 115/230V-24V (200V & 230V models)
	01347.0000	2	Screw, Truss Head #6-32 x .375"
27	26722.0000	2	Adapter, Spade
28	22126.0000	1	Rectifier
	02367.0000	1	Screw, Truss Head #6-32 x .625"
29	01590.0000	1	Connector, Cable (120V & 120/240V models)
	32833.0000	1	Strain Relief, Cord (200V & 230V models)
	01531.0000	1	Washer, Reducing (230V models)
30	12570.0000	1	Grommet, Temperature Sensor
31	29327.0000	1	Probe Kit, Temperature/Dry Plug
32	32018.0000	1	Bumper (Early models)
33	27705.0000	1	Terminal Lug #6-14 AWG (230V models only)
	01327.0000	1	Screw, Pan Head Slotted #10-32 x .38"
	01512.0000	1	Lockwasher, Ext. tooth #10 Zinc Plated
34	00824.0002	1	Decal, Ground
35	29446.0002	1	EMI Filter, 30 AMP (200V & 230V Models)
	01347.0000	4	Screw, Truss Head #6-32 x .625"
	01510.0000	1	Lockwasher, Ext. tooth #6 Zinc Plated
36	00610.0000	1	Clamp
	01347.0000	1	Screw, Truss Head #6-32 x .625"
37	38894.0001	1	Switch, Main Power (Not used on all models)
	01308.0002	2	Screw, Truss Head #6-32 x .25" (Switch Mounting)
	01327.0000	4	Screw, Pan Head #10-32 x .375"
	01512.0000	4	Lockwasher, External Tooth #10
38	00824.0001	1	Decal, Equipotentiality

(Continued)



ELECTRICAL CONTROLS

ITEM	PART NO.	QTY.	DESCRIPTION
Note: The following parts are not illustrated			
39	32647.0000	1	Wiring Harness, Main 120/240V (Brewers prior to 08/01/05)
	32647.0013	1	Wiring Harness, Main 120/240V (Brewers after 08/01/05)
	32647.0003	1	Wiring Harness, Main 230V (Brewers prior to 08/01/05)
	32647.0008	1	Wiring Harness, Main 230V (Brewers after 08/01/05)
	32647.0004	1	Wiring Harness, Main 200V (Brewers prior to 08/01/05)
	32647.0012	1	Wiring Harness, Main 220V
	32647.0014	1	Wiring Harness, Main 200V (Brewers after 08/01/05)
	32647.0015	1	Wiring Harness, Main 120V
	32647.0016	1	Wiring Harness, Main 200V (Brewers with Product # 33600.0019 only)
40	27791.0001	1	Wiring Harness, Transformer (120V & 120/240V models)
	27791.0004	1	Wiring Harness, Transformer (200V & 230V models)
41	37859.0002	1	Wiring Harness, Main Power Switch
42	03851.0000	2	Wire Nut (Not used on 230V Models)
43	02244.0000	1	Jumper, Two-position (Used for programming Control Board)
44	34707.0000	1	Wiring Harness, EMI Filter to Terminal Block 230V
	34707.0003	1	Wiring Harness, EMI Filter to Terminal Block 200V
45	27945.0005	1	Thermal Cut-off w/Lead Red 51" (230V)
46	38338.0000	-	Kit, Funnel Sensors (Includes Funnel Sensor Coils W/Leads)
47	23799.0001	1	Cord Assy, Power (120V)
	33600.0012	1	Cord Assy w/plug, Power (220V - Keti)



FUNNEL

ITEM	PART NO.	QTY.	DESCRIPTION
1	32643.0000	2	Funnel Assy, SST
	32643.0010	2	Funnel Assy W/D-Ring Basket, SST (Optional)
			} Each includes Items 2 thru 9
2	24462.0002	1	Funnel W/Decals (Includes items 3 & 4)
3	03408.0004	1	Decal, Warning-Remove Funnel
4	03409.0004	1	Decal, Warning-Hot Liquid
5	32595.0000	1	Handle, Funnel-Black
6	12499.0002	1	Screw, Round Head .25" - 20 x 1.50" BLK
7	33089.0000	1	Filter Basket w/Splash Guard
	33089.0001	1	Filter Basket w/Splash Guard & D-Rings (Optional)
8	32139.0000	1	Insert, Funnel Tip - Male (Refer to item 10)
9	32140.0000	1	Insert, Funnel Tip - Female (Refer to item 10)
10	01031.0001	-	Funnel Tip Kit (Includes items 8 & 9)

NUMERICAL INDEX

PART NO.	PAGE NO.	PART NO.	PAGE NO.	PART NO.	PAGE NO.	PART NO.	PAGE NO.
00310.0002.....	17	01502.0000.....	13,17	12524.1000.....	9	23820.0000.....	13
00400.0001.....	13	01510.0000.....	27	12565.0028.....	9	24462.0002.....	31
00402.0001.....	17	01512.0000.....	25,27	12565.0013.....	9	24613.0001.....	17
00423.0000.....	15	01519.0000.....	13,25	12570.0000.....	27	24614.0001.....	15
00436.0001.....	15,17	01520.0000.....	9	13054.0000.....	23	24684.0000.....	15,17
00459.0000.....	15,17	01521.0000.....	27	13255.0003.....	7	25151.0000.....	5
00463.0000.....	15,17	01531.0000.....	27	20201.5600.....	5	25160.0001.....	13
00483.0000.....	17	01532.0000.....	15,17	20202.1601.....	23	25766.0000.....	5
00610.0000.....	27	01532.0005.....	23	20203.0100.....	9	25766.0001.....	5
00619.0000.....	7	01533.0006.....	25	20526.1500.....	13	26207.0000.....	7
00656.0001.....	5	01590.0000.....	27	20541.0001.....	9	26247.0001.....	25
00658.0000.....	5	01592.0001.....	13	20608.0000.....	27	26528.0000.....	5
00824.0001.....	25	01975.0000.....	13	20621.0000.....	27	26622.0001.....	9
00824.0002.....	25	02244.0000.....	29	20936.1000.....	9	26722.0000.....	27
00908.0000.....	9,11,13	02308.0000.....	5,7,11,13,25	20937.0000.....	13,15	26846.0000.....	21
00916.0000.....	5	02328.0003.....	9	20976.0003.....	23	26846.0001.....	21
00935.0000.....	15,7	02336.0000.....	5	20976.0006.....	19	26846.0002.....	21
00942.0000.....	23	02367.0000.....	27	20976.0006.....	21	26924.0000.....	21
00946.0000.....	9	02434.1000.....	9	20976.0036.....	23	27181.0001.....	27
00970.0000.....	5,7,19,25	02536.0000.....	9,13,15	20976.0045.....	19	27253.0001.....	27
00971.0000.....	11	02594.0000.....	23	20976.0051.....	19	27370.0003.....	19
00971.0000.....	9	02595.0000.....	23	20976.0065.....	23	27370.0004.....	19
00973.0000.....	25,27	02766.0000.....	23	20976.0066.....	23	27370.0005.....	19
00985.0000.....	7	02854.0000.....	23	20976.1000.....	19,21,23	27473.0000.....	9
00986.0000.....	5	02856.0005.....	23	20976.1001.....	19,21,23	27596.1750.....	17
00991.0000.....	25	02858.0000.....	23	20976.1002.....	19,21,23	27705.0000.....	27
01031.0001.....	31	02861.0003.....	23	20977.1001.....	17	27744.1001.....	5
01075.0000.....	21	03236.0007.....	9	20977.1003.....	17	27744.1002.....	5
01079.0000.....	13,17	03236.1001.....	9	21136.0001.....	21,23	27744.1006.....	5
01082.0000.....	21	03236.1002.....	9	21180.0001.....	13	27744.1007.....	5
01082.0002.....	21	03236.1003.....	9	21181.0000.....	13	27746.0000.....	27
01085.0000.....	13	03408.0004.....	31	21537.0001.....	7	27748.0000.....	27
01085.0002.....	13	03409.0004.....	31	21801.0002.....	9	27763.0000.....	5
01085.1006.....	13	03633.0000.....	9	21812.0007.....	13	27763.0001.....	5
01085.1007.....	13,17	03803.0000.....	9	22126.0000.....	27	27763.0004.....	5
01100.0000.....	13,17	03803.0002.....	9	22249.0000.....	13	27763.0006.....	5
01101.0000.....	13,17	03807.0000.....	9	22300.0500.....	13	27763.0008.....	5
01106.0000.....	27	03851.0000.....	29	22305.0000.....	21	27763.0010.....	5
01106.0001.....	27	03996.0000.....	5	22305.0002.....	21	27788.0000.....	27
01106.0003.....	27	04797.0000.....	9	22305.0003.....	21	27790.1000.....	27
01111.0000.....	13,17	05515.0000.....	13	22728.0000.....	9	27791.0001.....	29
01111.0002.....	13	07038.0000.....	27	22960.1008.....	11	27791.0004.....	29
01116.0000.....	13,17	07038.0001.....	27	22976.0001.....	11	27945.0005.....	29
01171.0001.....	17	11517.0008.....	21	22976.0004.....	11	28005.0000.....	13
01154.0000.....	13	11630.0001.....	11	22978.0000.....	11	28020.0000.....	13
01155.0000.....	13	12249.0001.....	5	22992.0001.....	13	28021.0000.....	13
01308.0002.....	27	12305.1000.....	9	23004.0000.....	25	28264.0000.....	27
01309.0000.....	25	12322.1000.....	9	23015.0001.....	13	28479.0000.....	13
01315.0000.....	13	12398.0002.....	9	23193.0000.....	11	28480.0000.....	13
01317.0000.....	27	12422.0000.....	9	23254.0000.....	21	28481.0000.....	13
01327.0000.....	13,17,27	12422.0001.....	19,21,23	23255.0000.....	21	28897.0000.....	25
01347.0000.....	7,27	12422.0005.....	19	23256.0000.....	21	28909.0000.....	11
01375.0000.....	25	12422.0008.....	21	23324.1000.....	11	29075.0000.....	23
01382.0003.....	5	12422.0009.....	11,19	23717.0003.....	9	29179.0001.....	27
01382.0007.....	25	12451.1000.....	9	23721.0000.....	13	29327.0000.....	27
01501.0000.....	9	12499.0002.....	31	23799.0001.....	29	29421.0000.....	11

NUMERICAL INDEX

PART NO.	PAGE NO.	PART NO.	PAGE NO.	PART NO.	PAGE NO.	PART NO.	PAGE NO.
29446.0002.....	27	34707.0003.....	29				
29492.0000.....	25	34867.0005.....	21				
29493.0000.....	25	34868.0000.....	21				
29494.0000.....	25	34956.0001.....	21				
29495.0000.....	25	35052.0000.....	21				
29499.1000.....	25	35052.1000.....	21				
29499.1001.....	25	35070.0001.....	21				
29503.0000.....	25	35086.0000.....	11				
29503.0001.....	25	35308.1005.....	21				
29504.0000.....	25	35439.1000.....	11				
29504.0001.....	25	35493.1002.....	25				
29891.1000.....	5	36398.0000.....	7				
29891.1003.....	5	36404.1003.....	5				
29969.1000.....	25	36404.1004.....	5				
29969.1003.....	25	36406.0002.....	5				
29969.1004.....	25	36406.1000.....	5				
29969.1025.....	25	36406.1001.....	5				
29970.0000.....	25	36407.0000.....	5				
29973.0000.....	5	37541.0000.....	11				
32018.0000.....	27	37859.0002.....	29				
32043.0009.....	5	37881.0000.....	5				
32043.0010.....	5	38338.0000.....	29				
32043.0006.....	5	38342.0001.....	13				
32043.0007.....	5	38342.0002.....	13				
32139.0000.....	31	38342.0003.....	13				
32140.0000.....	31	38358.1006.....	25				
32241.0000.....	11	38894.0001.....	25				
32242.0000.....	11	39248.0001.....	25				
32242.0002.....	11	39803.0000.....	7				
32572.1001.....	25	41259.1003.....	9				
32573.0000.....	25	41266.0000.....	9				
32591.0011.....	11	41280.0001.....	9				
32591.0019.....	19	M2517.0000.....	23				
32591.1000.....	19	M2522.1000.....	9				
32591.1002.....	11						
32595.0000.....	31						
32643.0000.....	31						
32643.0010.....	31						
32647.0000.....	29						
32647.0003.....	29						
32647.0004.....	29						
32647.0013.....	29						
32647.0008.....	29						
32647.0012.....	29						
32647.0014.....	29						
32647.0015.....	29						
32647.0016.....	29						
32648.0000.....	19						
32649.0000.....	7						
32833.0000.....	27						
33089.0000.....	31						
33089.0001.....	31						
33600.0012.....	29						
33613.0000.....	25						
34020.0000.....	7						
34707.0000.....	29						