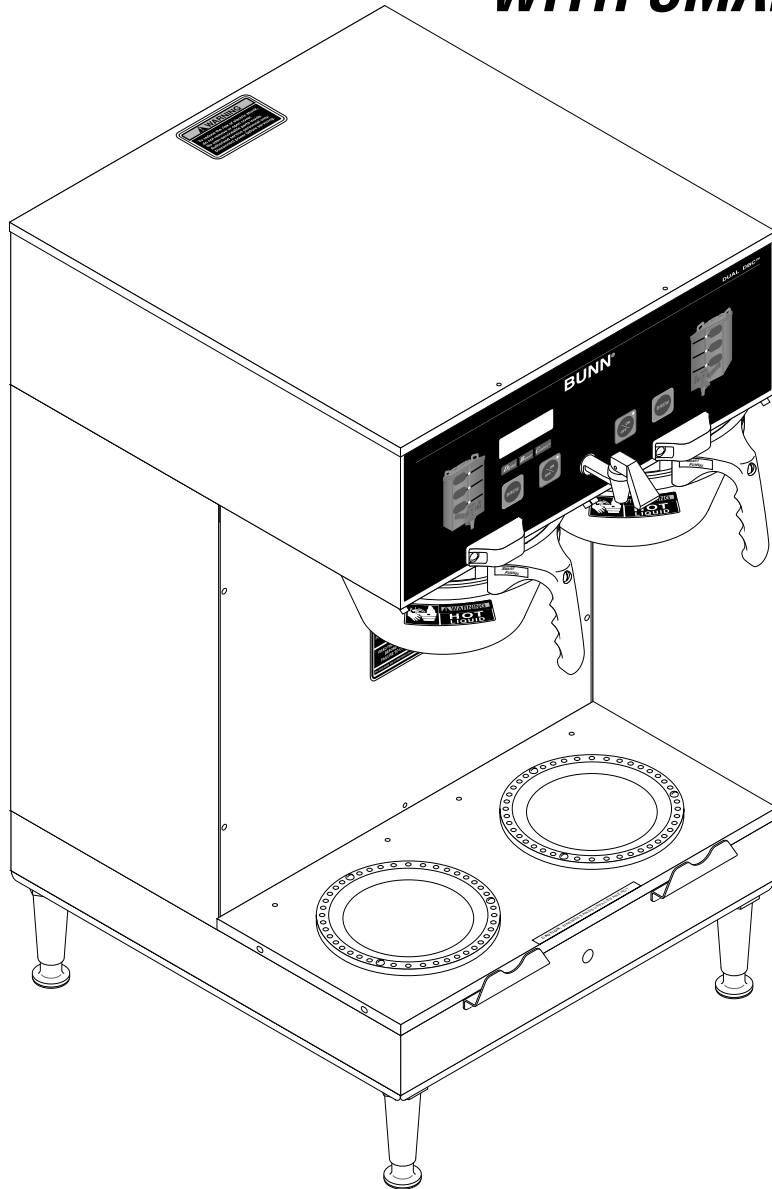


BUNN[®] *DUAL*[®]/*GPR-DBC*[®] *WITH SMART FUNNEL*[®]



ILLUSTRATED PARTS CATALOG

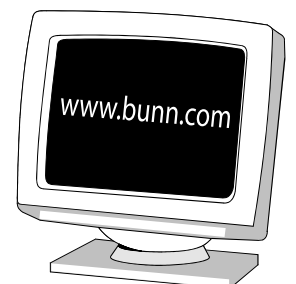
Designs, materials, weights, specifications, and dimensions for equipment or replacement parts are subject to change without notice.

BUNN-O-MATIC CORPORATION

POST OFFICE BOX 3227

SPRINGFIELD, ILLINOIS 62708-3227

PHONE: (217) 529-6601 FAX: (217) 529-6644



BUNN-O-MATIC COMMERCIAL PRODUCT WARRANTY

Bunn-O-Matic Corp. ("BUNN") warrants equipment manufactured by it as follows:

- 1) Airpots, thermal carafes, decanters, GPR servers, iced tea/coffee dispensers, MCR/MCP/MCA single cup brewers, thermal servers and ThermoFresh® servers (mechanical and digital) 1 year parts and 1 year labor.
- 2) All other equipment - 2 years parts and 1 year labor plus added warranties as specified below:
 - a) Electronic circuit and/or control boards - parts and labor for 3 years.
 - b) Compressors on refrigeration equipment - 5 years parts and 1 year labor.
 - c) Grinding burrs on coffee grinding equipment to grind coffee to meet original factory screen sieve analysis - parts and labor for 4 years or 40,000 pounds of coffee, whichever comes first.

These warranty periods run from the date of installation BUNN warrants that the equipment manufactured by it will be commercially free of defects in material and workmanship existing at the time of manufacture and appearing within the applicable warranty period. This warranty does not apply to any equipment, component or part that was not manufactured by BUNN or that, in BUNN's judgment, has been affected by misuse, neglect, alteration, improper installation or operation, improper maintenance or repair, non periodic cleaning and descaling, equipment failures related to poor water quality, damage or casualty. In addition, the warranty does not apply to replacement of items subject to normal use including but not limited to user replaceable parts such as seals and gaskets. This warranty is conditioned on the Buyer 1) giving BUNN prompt notice of any claim to be made under this warranty by telephone at (217) 529-6601 or by writing to Post Office Box 3227, Springfield, Illinois 62708-3227; 2) if requested by BUNN, shipping the defective equipment prepaid to an authorized BUNN service location; and 3) receiving prior authorization from BUNN that the defective equipment is under warranty.

THE FOREGOING WARRANTY IS EXCLUSIVE AND IS IN LIEU OF ANY OTHER WARRANTY, WRITTEN OR ORAL, EXPRESS OR IMPLIED, INCLUDING, BUT NOT LIMITED TO, ANY IMPLIED WARRANTY OF EITHER MERCHANTABILITY OR FITNESS FOR A PARTICULAR PURPOSE. The agents, dealers or employees of BUNN are not authorized to make modifications to this warranty or to make additional warranties that are binding on BUNN. Accordingly, statements by such individuals, whether oral or written, do not constitute warranties and should not be relied upon.

If BUNN determines in its sole discretion that the equipment does not conform to the warranty, BUNN, at its exclusive option while the equipment is under warranty, shall either 1) provide at no charge replacement parts and/or labor (during the applicable parts and labor warranty periods specified above) to repair the defective components, provided that this repair is done by a BUNN Authorized Service Representative; or 2) shall replace the equipment or refund the purchase price for the equipment.

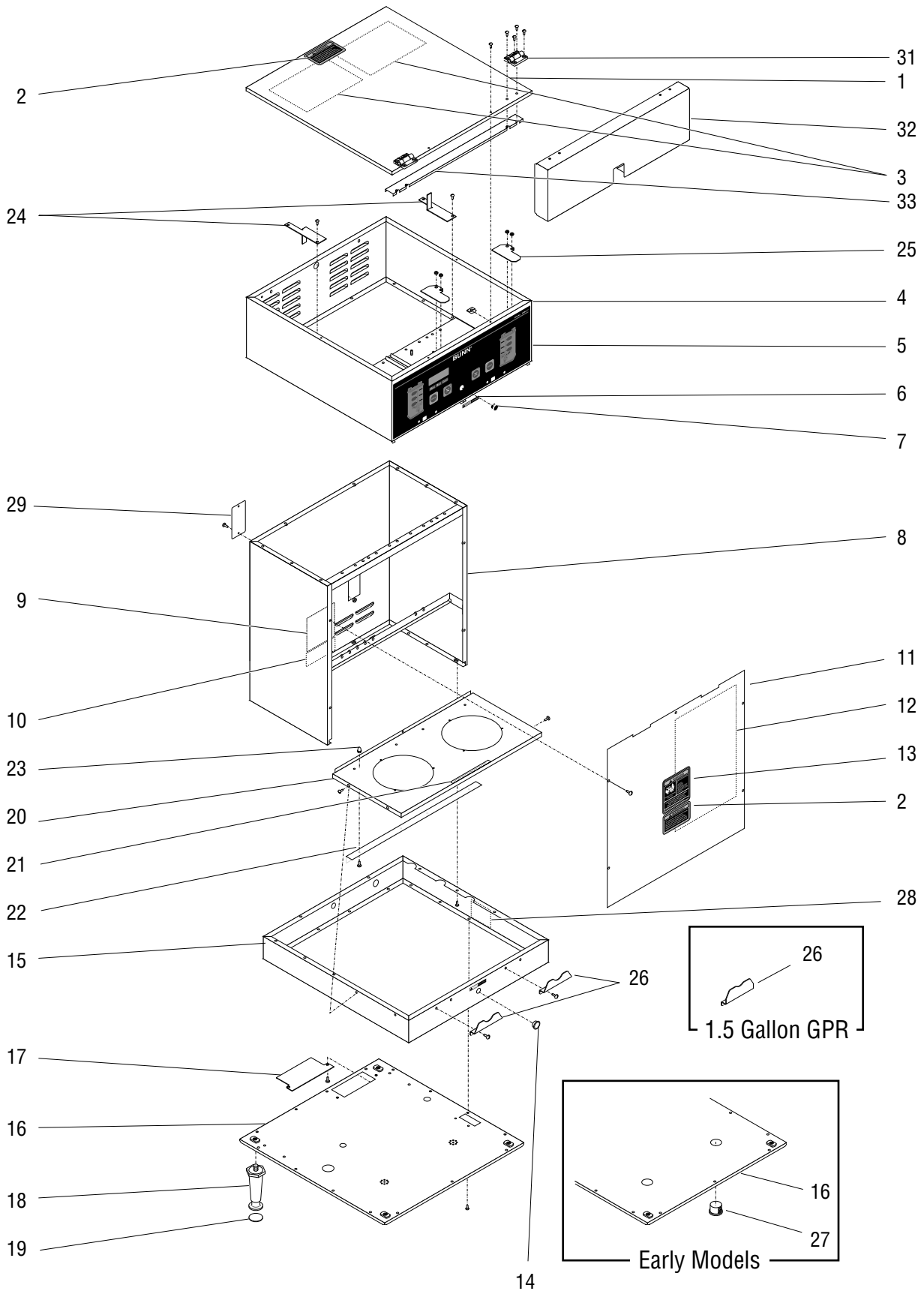
THE BUYER'S REMEDY AGAINST BUNN FOR THE BREACH OF ANY OBLIGATION ARISING OUT OF THE SALE OF THIS EQUIPMENT, WHETHER DERIVED FROM WARRANTY OR OTHERWISE, SHALL BE LIMITED, AT BUNN'S SOLE OPTION AS SPECIFIED HEREIN, TO REPAIR, REPLACEMENT OR REFUND.

In no event shall BUNN be liable for any other damage or loss, including, but not limited to, lost profits, lost sales, loss of use of equipment, claims of Buyer's customers, cost of capital, cost of down time, cost of substitute equipment, facilities or services, or any other special, incidental or consequential damages.

392, A Partner You Can Count On, Air Infusion, AutoPOD, AXIOM, BrewLOGIC, BrewMETER, Brew Better Not Bitter, BrewWISE, BrewWIZARD, BUNN Espresso, BUNN Family Gourmet, BUNN Gourmet, BUNN Pour-O-Matic, BUNN, BUNN with the stylized red line, BUNNlink, Bunn-OMatic, Bunn-O-Matic, BUNNserve, BUNNSERVE with the stylized wrench design, Cool Froth, DBC, Dr. Brew stylized Dr. design, Dual, Easy Pour, EasyClear, EasyGard, FlavorGard, Gourmet Ice, Gourmet Juice, High Intensity, iMIX, Infusion Series, Intellisteam, My Café, Phase Brew, PowerLogic, Quality Beverage Equipment Worldwide, Respect Earth, Respect Earth with the stylized leaf and coffee cherry design, Safety-Fresh, savemycoffee.com, Scale-Pro, Silver Series, Single, Smart Funnel, Smart Hopper, SmartWAVE, Soft Heat, SplashGard, The Mark of Quality in Beverage Equipment Worldwide, ThermoFresh, Titan, trifacta, TRIFECTA (stylized logo), Velocity Brew, Air Brew, Beverage Bar Creator, Beverage Profit Calculator, Brew better, not bitter., Build-A-Drink, BUNNSource, Coffee At Its Best, Cyclonic Heating System, Daypart, Digital Brewer Control, Element, Milk Texturing Fusion, Nothing Brews Like a BUNN, Picture Prompted Cleaning, Pouring Profits, Signature Series, Sure Tamp, Tea At Its Best, The Horizontal Red Line, Ultra are either trademarks or registered trademarks of Bunn-O-Matic Corporation. The commercial trifacta® brewer housing configuration is a trademark of Bunn-O-Matic Corporation.

TABLE OF CONTENTS

Base - Trunk - Hood - Covers & Panels	4
Dispense Valve and Sprayhead.....	18
Electrical Controls	22
Faucet.....	20
Funnel.....	28
Inlet Valve & Lines.....	14
Numerical Index	30
Strainer, Solenoid & Lines.....	12
Tank and Mounting Brackets	10
Tank Heater & Overflow Protection Devices	8
Warmer Assemblies	26
Water By-Pass.....	16



BASE - TRUNK - HOOD - COVERS & PANELS

ITEM	PART NO.	QTY.	DESCRIPTION
1	25376.0000	1	Cover Assy, Top SST (Includes item 2 & 3)
	25376.0002	1	Cover Assy, Top BLK (Includes item 2 & 3)
	02336.0000	4	Screw, Truss Head SST #4 - 40 x .38"
	02336.0002	4	Screw, Truss Head BLK #4 - 40 x .38"
	00916.0000	4	Clip, J-Type #4-40
2	37881.0000	2	Decal, Warning - "No Serviceable Parts"
3	25151.0000	2	Shield, Insulator
4	35388.1003	1	Hood W/Decals SST (Includes items 5 & 6)
	02308.0000	16	Screw, Pn-Hd #8 - 32 x .375"
5	29974.0004	1	Switch, Membrane
6	20201.5600	1	Decal, Caution Hot Water
7	05749.0004	1	Plug, Hole .50" Dia. (Brewers with lower Faucet)
8	37132.1000	1	Trunk W/Decals SST (Brewers with Product #35900.0000)
	37132.1001	1	Trunk W/Decals SST (Brewers with Product #35900.0010)
9	00986.0000	1	Decal, Warning - Electrical
10	00656.0001	1	Decal, Comply to Plumbing Code
11	37135.1000	1	Panel W/Decals, Trunk SST (Brewers with Product #35900.0000)
	20884.1000	1	Panel W/Decals, Trunk SST (Brewers with Product #35900.0010)
	01382.0003	5	Screw, Truss Head SST #6 - 32 x .375"
12	29876.0018	1	Schematic
13	00658.0000	1	Decal, Caution - Decanter/Funnel
14	05749.0004	1	Plug, Hole .50" Dia (Brewers with upper Faucet)
15	20924.0000	1	Base Housing
	20924.0000	1	Base Housing (Brewers with Product #35900.0010)
	02308.0000	8	Screw, Pan Head #8 - 32 x .375"
16	20916.0002	1	Cover, Bottom (Early Models without Main Power Switch)
	20916.0008	1	Cover, Bottom (Brewers with Product #35900.0000)
	20916.0009	1	Cover, Bottom (Brewers with Product #35900.0010)
	20916.0012	1	Cover, Bottom (Brewers with internal mounted Heat Sinks)
	02308.0000	15	Screw, Pan Head #8 - 32 x .375"
17	37766.0000	1	Panel, Access Cover
	02308.0000	2	Screw, Pan Head #8 - 32 x .375"
18	26528.0000	4	Leg, 4.0" Plastic (See Item 30)
	00506.0000	4	Leg, 8.0" SST
19	03996.0000	4	Pad, Anti Skid
20	24455.0005	1	Warmer Panel Assy W/Decals (Includes Items 21, 22 & 23)
	01382.0003	4	Screw, Truss Head SST #6 - 32 x .375"
21	12364.0000	1	Decal, Caution-Warmers Are Hot
22	21106.0002	1	Angle, Support
	01311.0000	4	Screw, Truss Head SST 6-32 x .375"

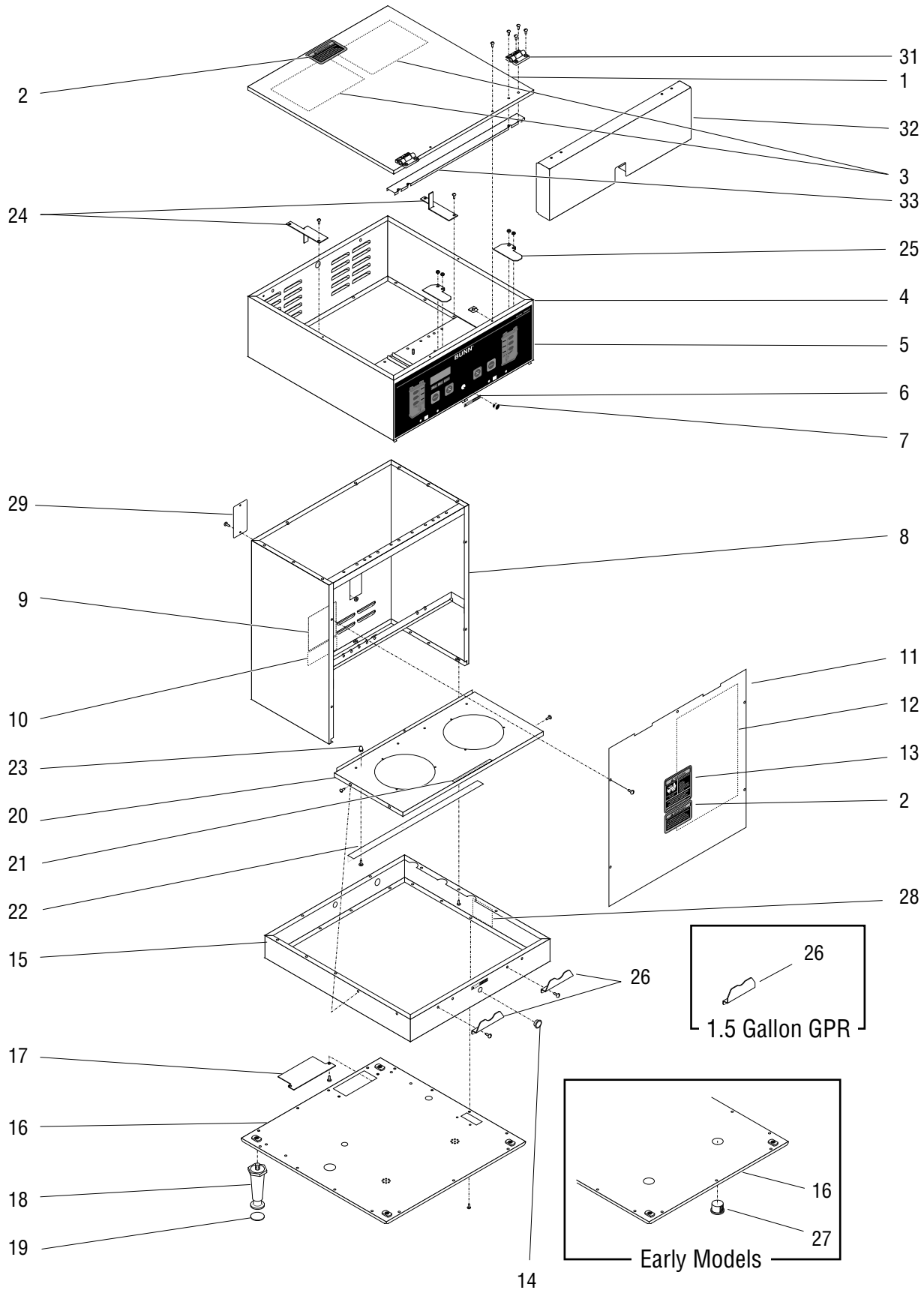
} Includes items 9 & 10

} Includes items 2, 12 & 13

} Models with Main Power Switch

(continued)

* Indicates the part number listed is for reference only. See DESCRIPTION for possible service replacement.

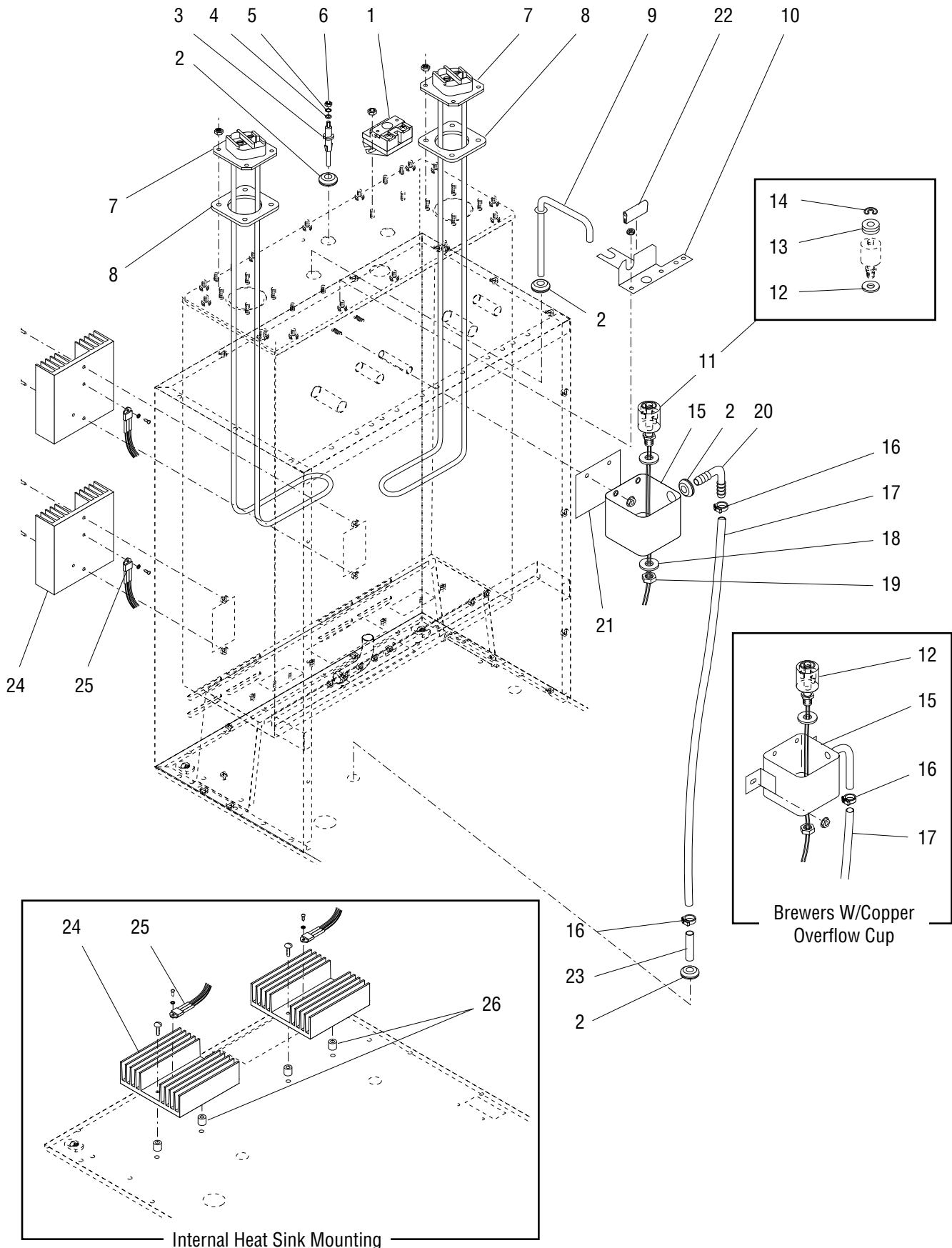


BASE - TRUNK - HOOD - COVERS & PANELS

ITEM	PART NO.	QTY.	DESCRIPTION
23	02324.0000	4	Nut, Acorn 8-32
24	26949.0001	2	Bracket, Tank Supporting
25	32649.0000	2	Plate (Brewers without Funnel Locks)
	00970.0000	4	Nut, Keps #8-32
26	21104.0003	2	Server Stop, Bolt-On (1.75 Gallon GPR)
	21104.0007	2	Server Stop, Bolt-On (1.5 Gallon GPR)
	01347.0000	4	Screw, Truss Head SST #6-32 x .38"
27	03011.0000	2	Plug, Vent BLK 1.0" Dis. (Early models)
28	39803.0000	1	Decal, Main Switch (Models with Main Power Switch only)
29	35291.0000	2	Cover, Rear
	01382.0003	4	Screw, Truss Head #6-32 x .38"
30	13255.0003	-	Leg Kit, Plastic (Includes 4 each of items 18 & 19) (Not Illustrated)
31	26504.0000	2	Hinge, Panel Guard
	01382.0003	8	Screw, Truss Head w/Nylon Patch #6-32 x .38"
32	32323.0002	1	Guard, Panel
33	29384.0000	1	Bracket, Hinge Support
34	50417.0000	1	Switch Cover Kit (Kit Items 1, 2, 3, 31, 32 & 33)

} Optional

* Indicates the part number listed is for reference only. See DESCRIPTION for possible service replacement.

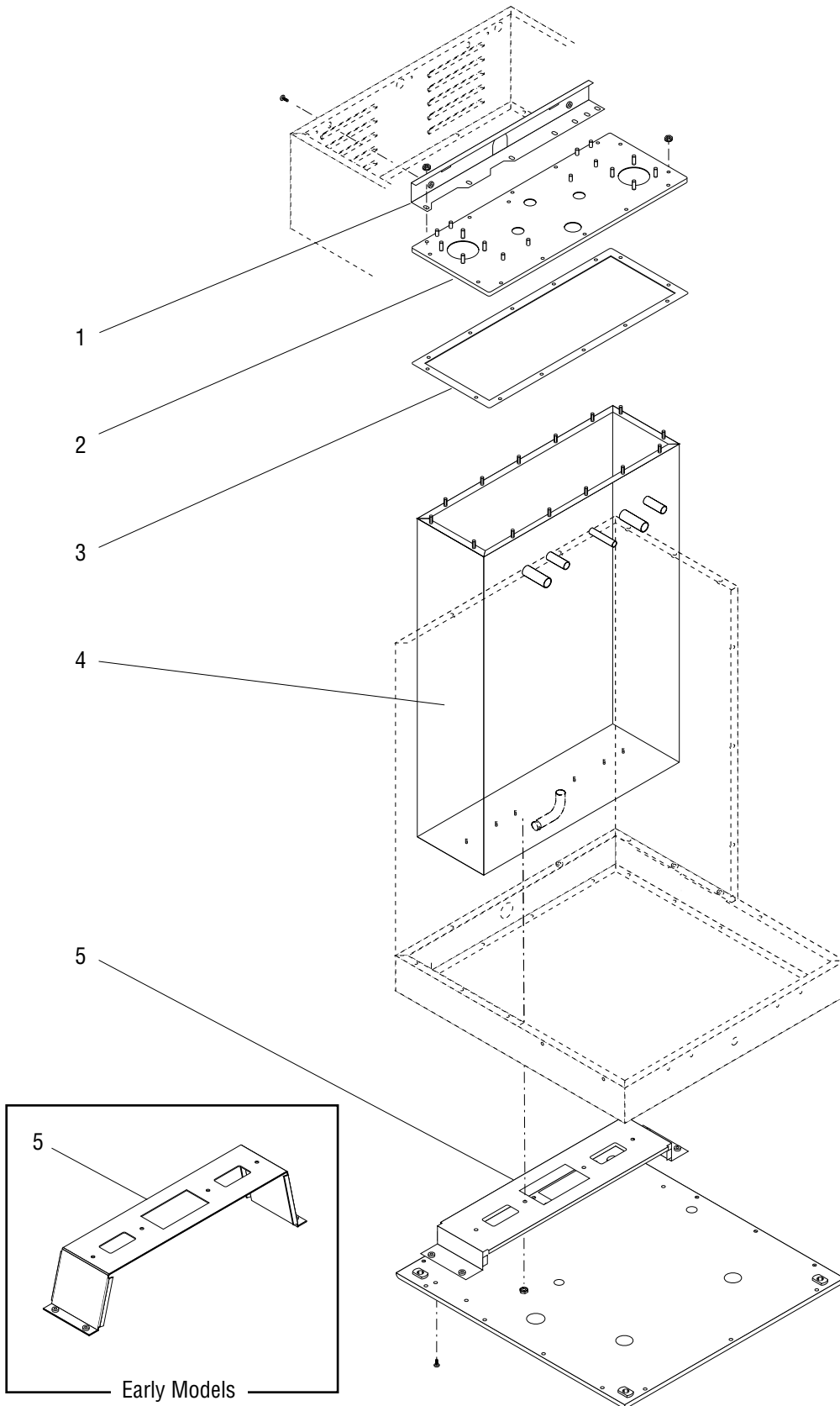


TANK HEATER & OVERFLOW PROTECTION DEVICES

ITEM	PART NO.	QTY.	DESCRIPTION
1	23717.0003 00908.0000	2 4	Thermostat, Limit Nut, Hex #8 - 32
2	02536.0000	4	Grommet .375" I.D.
3	20936.1000	1	Probe Kit (Includes items 4, 5 & 6)
4	01501.0000	1	Washer .164" I.D. x .375" O.D.
5	20203.0100	1	Lockwasher, Internal Tooth #8
6	00908.0000	1	Nut, Hex #8 - 32
7	20922.1000 00908.0000	2 8	Tank Heater, 3300W @ 240V (Includes item 8) Nut, Hex #8 - 32
8	12398.0002	2	Gasket, Tank Heater
9	26622.0001	1	Tube Assy, Vent
10	27473.0000	1	Bracket, Overflow Cup Mounting
11	03803.0000 00946.0000	1 1	Switch Assy, Liquid Level (Includes items 12, 13 & 14) Nut, Hex .125" FPT
12	03633.0000	2	Gasket, Float Switch (Only 1 used in this application)
13	-----	3	Washer, Adjusting (DO NOT USE IN THIS APPLICATION)
14	03807.0000	1	Clip, Spring
15	41259.1003 22728.0000 00971.0000	1 1 2	Kit, Overflow Cup (Aluminum) (Includes items 2,18, 20 & 21) Overflow Cup Assy (Copper) (Also replaces aluminum cup) Nut, Keps #10 - 32
16	12422.0001	2	Clamp, Hose .59"/.66" I.D.
17	03236.0024*	1	Tube, Silicone .313" I.D. x 25.0" (Order item 29)
18	04797.0000	1	Washer, Celcon .520" I.D. x 1.0" O.D.
19	00946.0000	1	Nut, Hex .125" FPT
20	41280.0001	1	Elbow,.375" Multi Barb
21	41266.0000	1	Film, Insulating
22	02434.0010*	1	U-Channel 2.0" (Order item 28)
23	21801.0002	1	Tube .375" O.D.
24	20541.0001 01388.0000	2 4	Heat Sink (Also order item 27) Screw, Truss Head #6-32 x .75"
25	12565.0011 12565.0036 12565.0028 02328.0003 01520.0000	2 2 2 2 2	Triac Assy, 40 amp, (Product #35900.0000) (Product #35900.0001 Prior to 7/1/13) Triac Assy, 40 amp, (Product #35900.0010 Prior to 7/1/13) Triac Assy, 40 amp, (Product #35900.0001 & 35900.0010 Effective 7/1/13) Screw, Pan Head #6-32 x .312" Lockwasher #6
26	43386.0000	4	Spacer, .14" I.D. x .375" O.D. x .312" (Brewers with internal Heat Sinks)
27	M2522.1000	-	Heat Sink Compound
28	02434.1000	-	U-Channel 18.0" (Use as required)
29	03236.1000 03236.1001 03236.1002 03236.1003	- - - -	Tube, Silicone .313" I.D. x 12.0" Tube, Silicone .313" I.D. x 36.0" Tube, Silicone .313" I.D. x 120.0" Tube, Silicone .313" I.D. x 60.0"
30	03851.0000	2	Wire Nut

Not illustrated

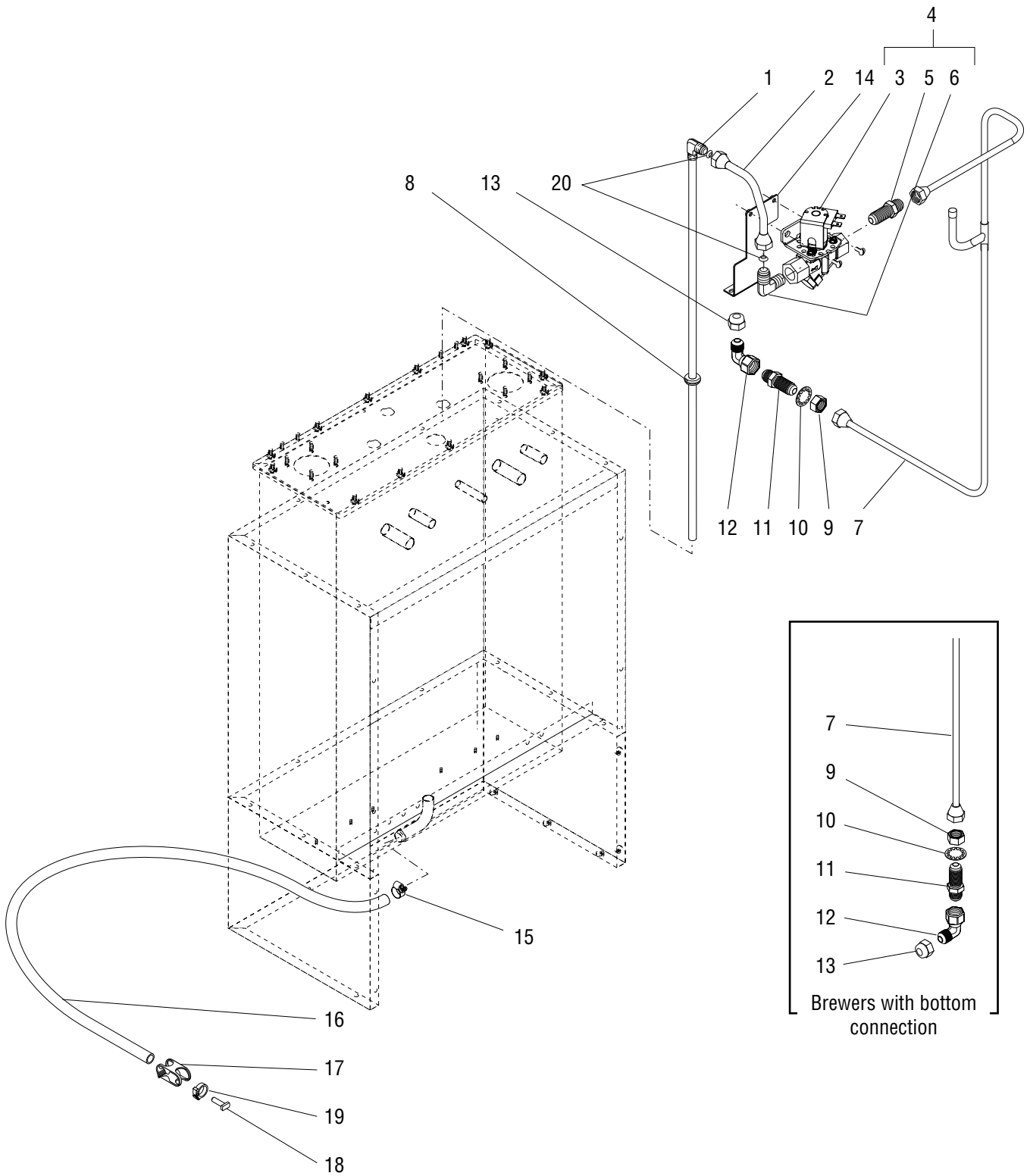
* Indicates the part number listed is for reference only. See DESCRIPTION for possible service replacement.



TANK AND MOUNTING BRACKETS

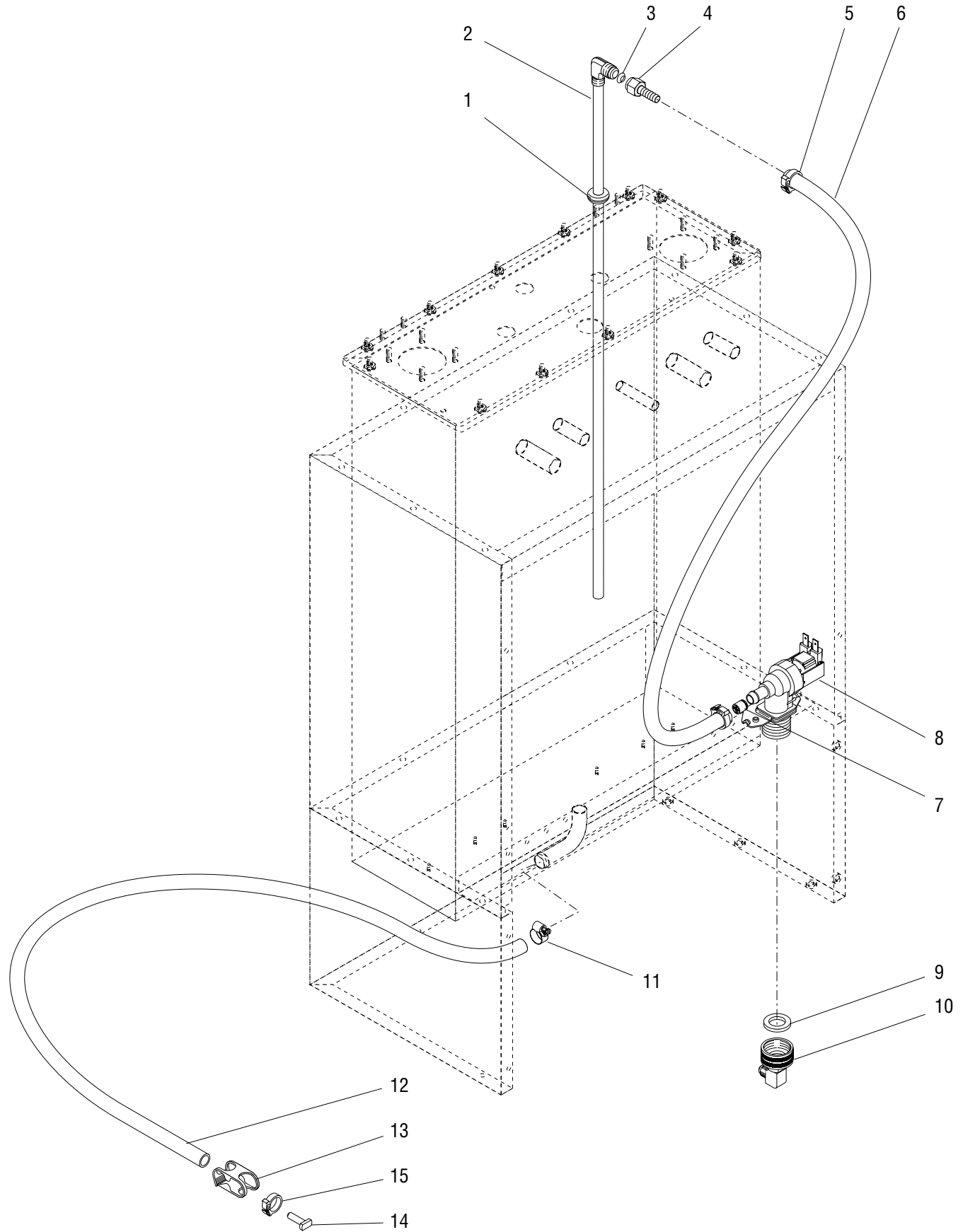
ITEM	PART NO.	QTY.	DESCRIPTION
1	26826.0000*	1	Bracket, Tank Support (Top) (Early models. Not available order Late Model Bracket)
	37526.0000	1	Bracket, Tank Support (Top) (Late models)
	02308.0000	2	Screw, Pan Head #8 - 32 x .375"
	00908.0000	4	Nut, Hex #8 - 32
2	20881.0000	1	Lid, Tank
	00908.0000	14	Nut, Hex #8 - 32
3	20883.0000	1	Gasket, Tank
4	20878.1008	1	Tank
5	37129.0000	1	Bracket, Tank Mounting (Bottom) (Early models)
	38392.0000	1	Bracket, Tank Mounting (Bottom) (Late models)
	02308.0000	4	Screw, Pan Head #8 - 32 x .375"

* Indicates the part number listed is for reference only. See DESCRIPTION for possible service replacement.



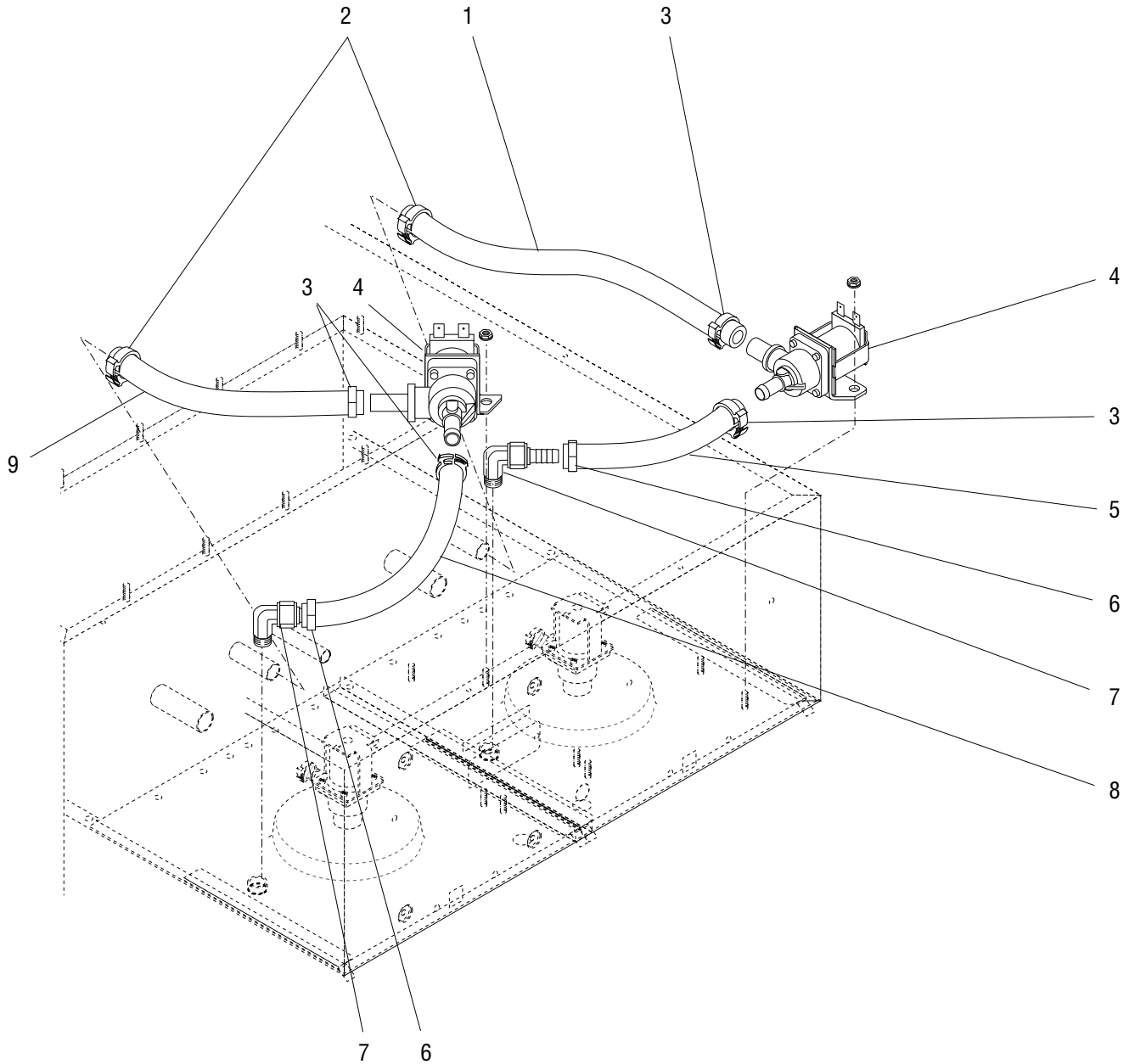
STRAINER, SOLENOID & LINES

ITEM	PART NO.	QTY.	DESCRIPTION
1	20937.0004	1	Tube, Tank Fill
2	36089.0001	1	Tube, Assembly, Solenoid to Tank
3	35094.0001	1	Solenoid Valve 120V
4	36088.0000	1	Solenoid Valve Assy, 120V (Includes items 3, 5 & 6)
	01315.0000	2	Screw, Truss Head #8 - 32 x .375"
5	36085.0000	1	Connector, .375" Male Flare x .375" NPT
6	34768.0001	1	Elbow, .38" Male Flare x .37"
7	37762.0000	1	Tube Assy, Fill Tube .38" O.D. Rear Inlet
	37762.0001	1	Tube Assy, Fill Tube .38" O.D. Bottom Inlet
8	02536.0000	1	Grommet, .375" I.D.
9	12757.0000	1	Nut, Hex .625-18
10	01514.0000	1	Lockwasher, Internal Tooth .625" I.D.
11	12756.0000	1	Bulkhead Fitting .38" Flare
12	37761.0000	1	90° Swivel Elbow
13	00976.0000	1	Cap Nut, .375" Flare-45
14	37127.0001	1	Bracket, Solenoid Mounting
	02308.0000	2	Screw, Pan Head #8-32 x .375"
	01522.0000	2	Washer, Flat .203" ID x .50" OD
15	29421.0000	1	Clamp, Hose-Worm Drive .625"/.75"
16	32591.1002	1	Tube, Silicone .50" I.D. x 36" LG
17	11630.0001	1	Clamp, Tubing Shut Off .75" O.D.
18	35086.0000	1	Plug, .50" I.D. Hose
19	12422.0009	1	Clamp, Hose .71"/.80" I.D.
20	32359.0000	2	Gasket, .375" Flare Copper



INLET VALVE AND LINE

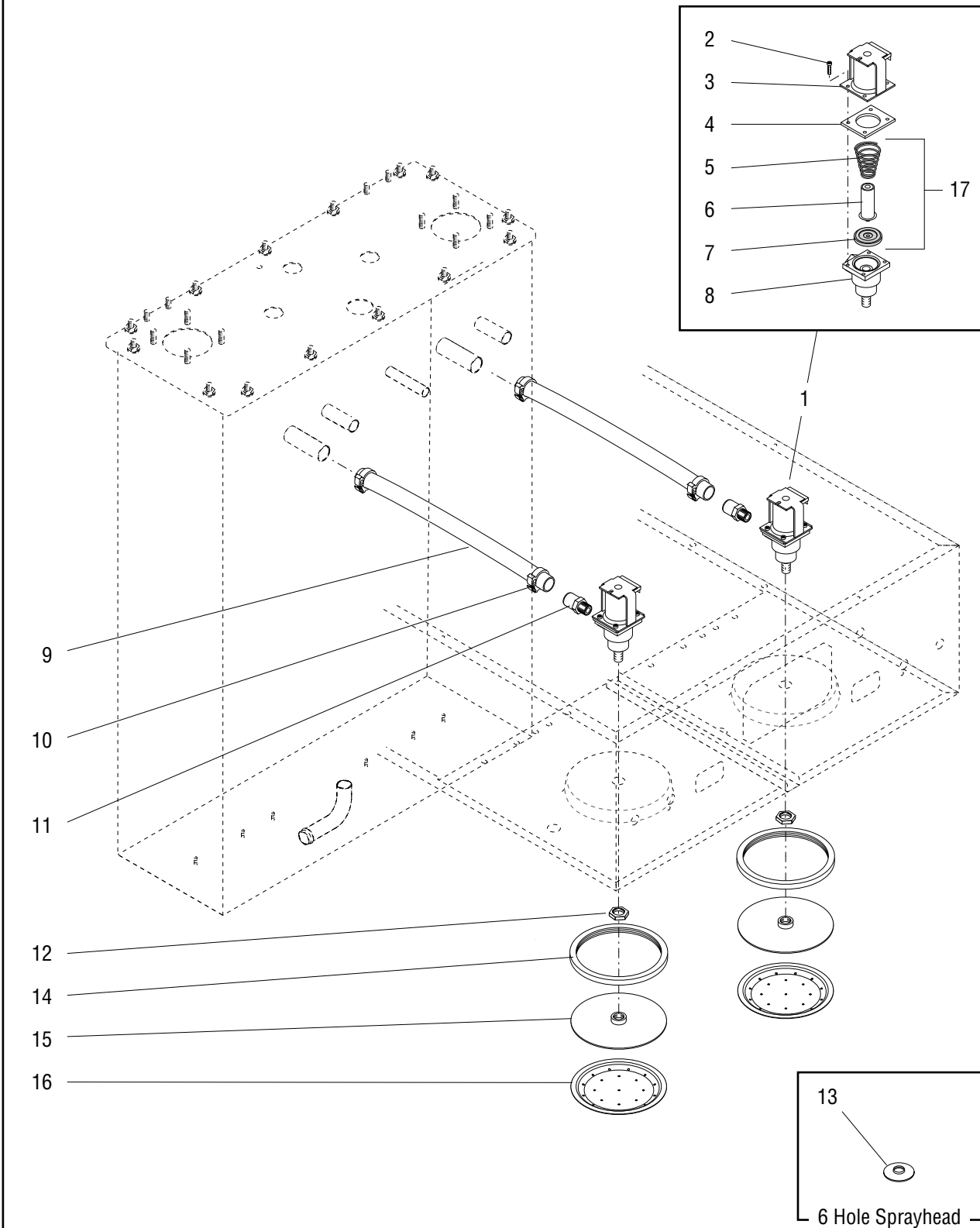
ITEM	PART NO.	QTY.	DESCRIPTION
1	02536.0000	1	Grommet .375" I.D.
2	20937.0004	1	Tube, Tank Fill
3	32359.0000	1	Gasket, .375" Flare Copper
4	12418.0001	1	Fitting, Swivel .375" Barb
5	12422.0001	2	Clamp, Hose .59"/.66" I.D
6	20976.0000*	1	Tube, Silicone .375" I.D. x .625" O.D. x 30.0" (Order item 16)
7	36378.0001	1	Check Valve (Installed in item 6)
8	36233.1000	1	Valve, Water Inlet 120V
	32283.0000	2	Screw, Pan Head M4 x 6MM
9	41640.0000	1	Gasket, .75" Hose Fitting
10	37297.0001	1	Elbow, .375" FLR x .75" FTHR
	37297.0004	1	Elbow, .375" Compression x .75" FTHR
11	29421.0000	1	Clamp, Hose-Worm Drive .625"/.75"
12	32591.1002	1	Tube, Silicone .50" I.D. x 36" LG
13	11630.0001	1	Clamp, Tubing Shut Off .75" O.D.
14	35086.0000	1	Plug, .50" I.D. Hose
15	12422.0009	1	Clamp, Hose .71"/.80"
16	20976.1000	-	Tube .375" ID x .625" OD x 12.0" (Use as required)
	20976.1001	-	Tube .375" ID x .625" OD x 36.0" (Use as required)
	20976.1002	-	Tube .375" ID x .625" OD x 120.0" (Use as required)



WATER BY-PASS

ITEM	PART NO.	QTY.	DESCRIPTION
1	32591.0007*	1	Tube, Silicone .50" I.D. x 8.75" (Order item 11)
2	12422.0009	2	Clamp, Hose .71"/.80" I.D.
3	12422.0005	4	Clamp, Hose .61"/.71" I.D.
4	27370.0000	2	Valve Assy, By-Pass
	00970.0000	4	Nut, Keps #8 - 32
5	20976.0006*	1	Tube, Silicone .375" I.D. x 4.50" (Order item 10)
6	12422.0001	2	Clamp, Hose .59"/.66" I.D.
7	32648.0000	2	Elbow, Compression
8	20976.0059*	1	Tube, Silicone .375" I.D. x .62" O.D. x 11.75" (Order item 10)
9	32591.0009*	1	Tube, Silicone .50" I.D. x 5.25" (Order item 11) (Late model Tank)
10	20976.1000	1	Tube, Silicone .375" I.D. x 12.0" rowspan="3">] Not illustrated
	20976.1001	1	Tube, Silicone .375" I.D. x 36.0"
	20976.1002	1	Tube, Silicone .375" I.D. x 120.0"
11	32591.1000	1	Tube, Silicone .50" I.D. x 36" LG

* Indicates the part number listed is for reference only. See DESCRIPTION for possible service replacement.



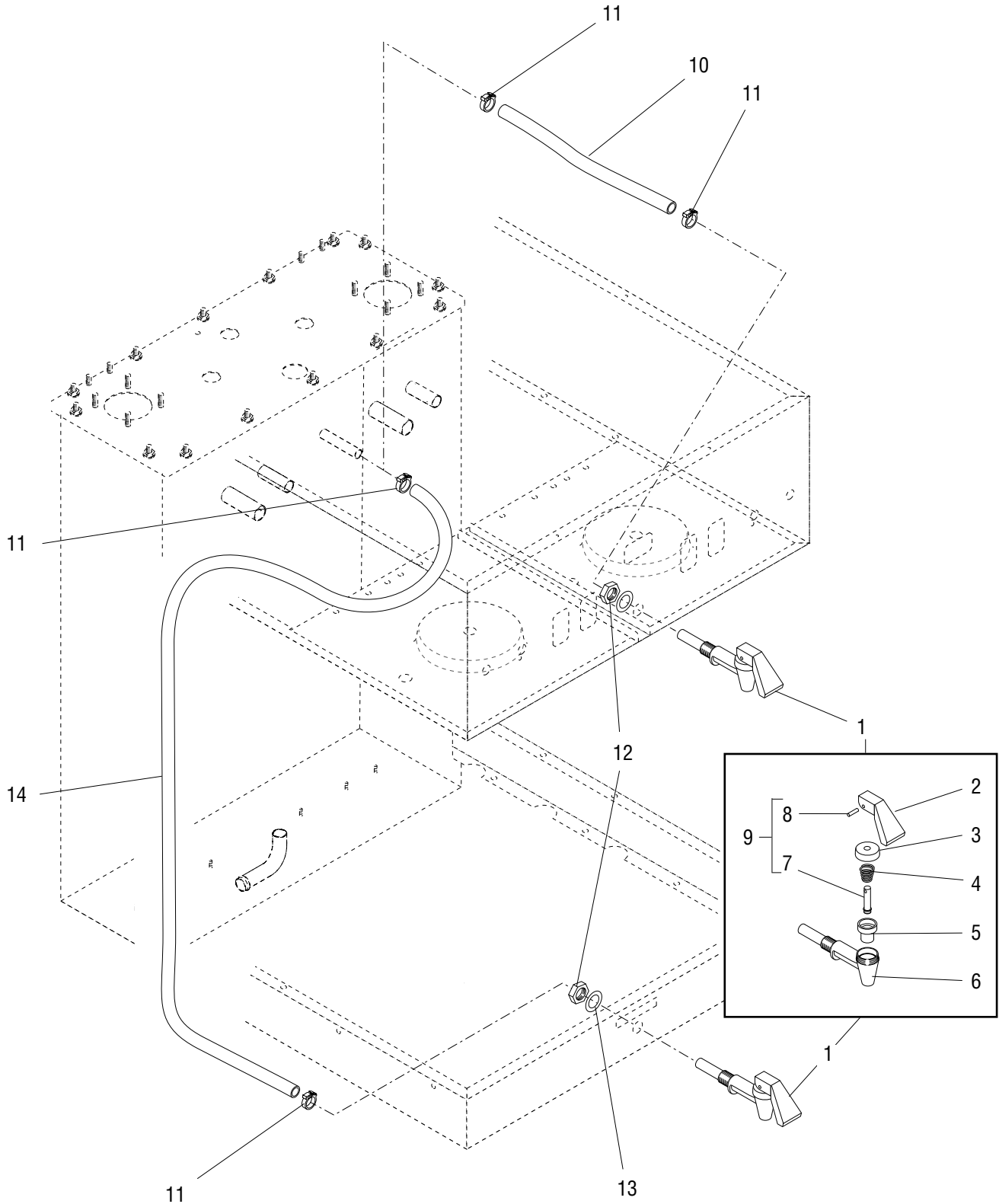
DISPENSE VALVE & SPRAYHEAD

ITEM	PART NO.	QTY.	DESCRIPTION
1	26846.0000	2	Valve Assy, Sprayhead (Includes items 2 thru 8)
2	23254.0000	4	Screw, #8 - 32
3	22305.0000	1	Coil Assy, Dispensing Valve
4	23256.0000	1	Spacer Plate
5	-----	1	Spring (Not available order item 18)
6	-----	1	Plunger (Not available order item 18)
7	23255.0000	1	Diaphragm
8	-----	1	Body (Not available order item 1)
9	35052.0000*	2	Tube, Silicone .75" I.D. x 6.25" LG (Order item 17) (Cut as required)
10	12422.0008	4	Clamp, Hose Snap-Type.93"/1.1" I.D.
11	34956.0000	2	Fitting, .250" NPTF Hose .750" NPS
12	01075.0000	2	Nut, Hex .438" - 20
13	01082.0002	2	Sprayhead, 6 Hole
14	34868.0000	2	Seal, Sprayhead
15	35070.0001	2	Sprayhead Back
16	34867.0004	2	Sprayhead
17	35052.1000	1	Tube, Silicone .75" I.D. x 1.0" O.D. x 12.0"
18	11517.0008	-	Repair Kit, Bypass & Dispense Valve (Includes one each of spring, plunger and diaphragm)
19	35308.1004	-	Sprayhead Assy (Includes one each of items 14, 15 & 16)
20	20976.1000	1	Tube, Silicone .375" I.D. x 12.0"
	20976.1001	1	Tube, Silicone .375" I.D. x 36.0"
	20976.1002	1	Tube, Silicone .375" I.D. x 120.0"

Refer to Item 19

Not illustrated

* Indicates the part number listed is for reference only. See DESCRIPTION for possible service replacement.

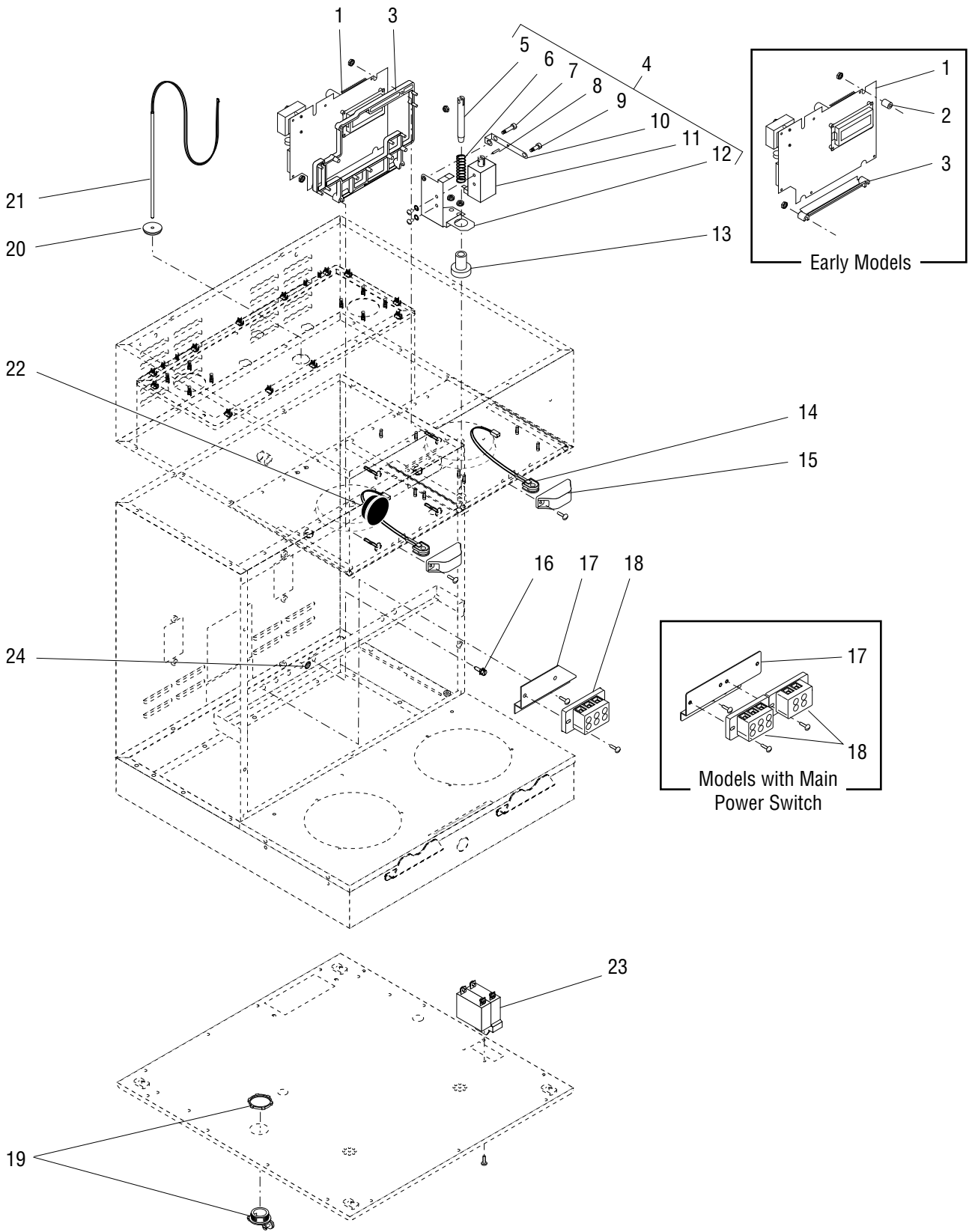


Only one Faucet location option (Upper or Lower) is applicable to each Brewer

FAUCET

ITEM	PART NO.	QTY.	DESCRIPTION
1	29075.0000	1	Faucet Assy (Includes items 2 thru 9)
2	02861.0000	1	Handle, Faucet
3	02854.0000	1	Bonnet, Faucet
4	02595.0000	1	Spring, Faucet
5	02766.0000	1	Seat Cup, Faucet
6	02856.0002	1	Body, Faucet
7	13054.0000	1	Stem, Faucet
8	02858.0000	1	Pin, Spring .125" Dia. x .50"
9	02594.0000	1	Faucet Stem W/Pin (Includes items 7 & 8)
10	20976.0059*	1	Tube, Silicone .38" I.D. x .62" O.D. x 11.75" (Order item 15) (Optional Upper Faucet)
11	12422.0001	2	Clamp, Hose .59" x .66" I.D.
12	29264.0000	1	Nut, Faucet Retaining
13	01532.0005	1	Washer, Intl Tooth .50" Lock
14	20976.0036*	1	Tube, Silicone .38" I.D. x .62" O.D. x 36.0" (Order Item 15) (Lower Faucet Only)
15	20976.1000	1	Tube, Silicone .38" I.D. x .62" O.D. x 12.0"
	20976.1001	1	Tube, Silicone .38" I.D. x .62" O.D. x 36.0"
	20976.1002	1	Tube, Silicone .38" I.D. x .62" O.D. x 120.0"
16	28706.0002	-	Faucet Kit (Includes items 2,4,5, 7 & 8)
17	M2517.0000	-	Sealant, Pipe 6 ml

} Not Illustrated

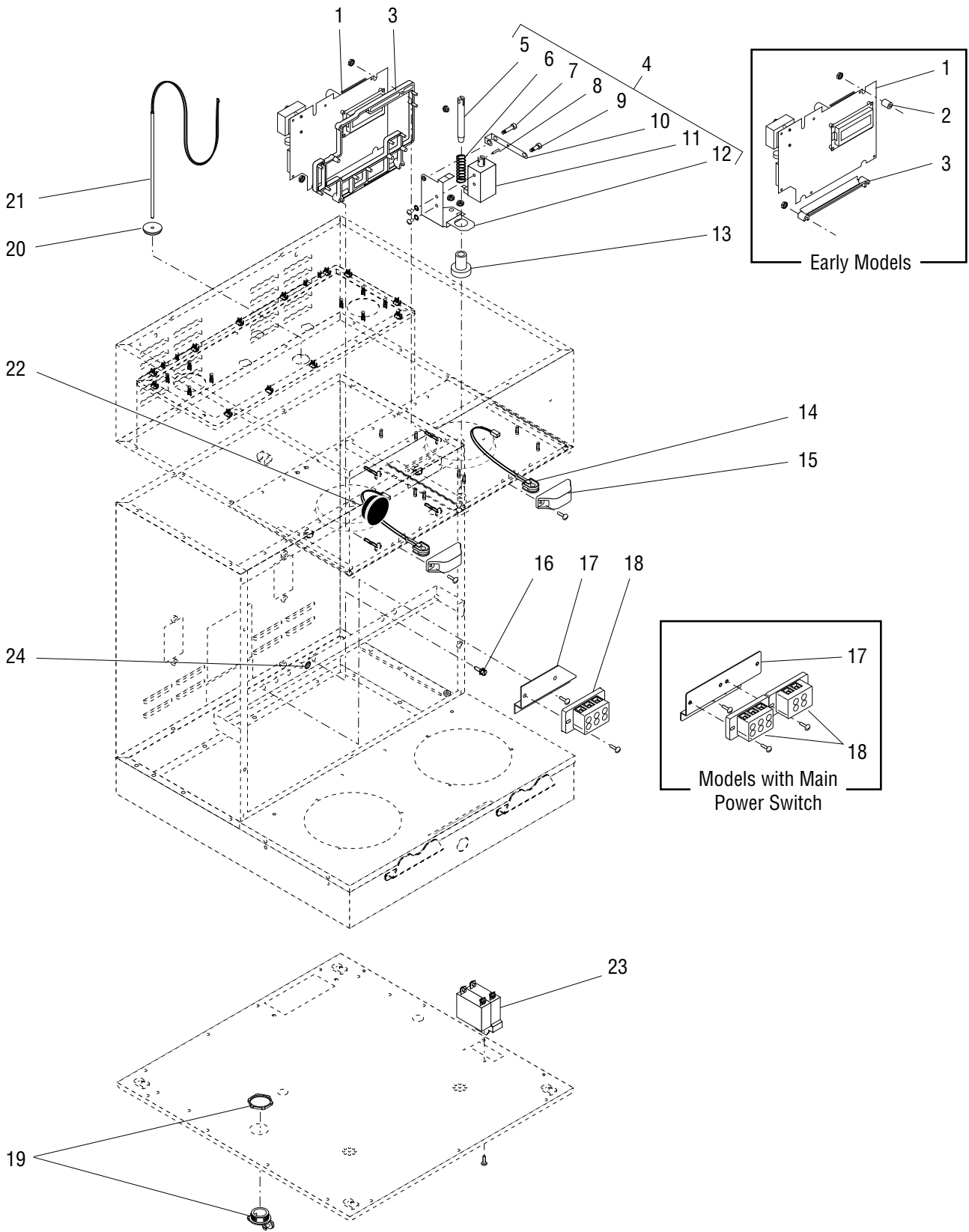


ELECTRICAL CONTROLS

ITEM	PART NO.	QTY.	DESCRIPTION
1	29969.1014	1	Circuit Board, Main control (Brewers with Product #35900.0000)
	29969.1038	1	Circuit Board, Main control (Brewers with Product #35900.0001)
	29969.1000	1	Circuit Board, Main control (Brewers with Product #35900.0010)
	00973.0000	2	Nut, Keps #6-32
2	01533.0010	2	Spacer (Early models)
3	29970.0000	1	Mount, Circuit Board (Early models)
	40726.0000	1	Mount, Circuit Board (Late models)
	00973.0000	2	Nut, Keps #6-32
4	29499.1000	2	Solenoid Assy 120V (Includes items 5 thru 12)
	00970.0000	4	Nut, Keps #8-32
5	29494.0000	2	Pin, Funnel Stop
6	28897.0000	2	Spring, Compression
7	29504.0001	2	Shoulder Screw
8	26247.0001	2	Pin, Spring
	29504.0000	2	Shoulder Screw
9	00991.0000	2	Nut, Elastic Lock #8-32
	29493.0000	2	Lever
11	29503.0000	2	Coil, Solenoid 120/208V & 120/240V
	33613.0000	4	Screw, Truss Head #8-32 x .25"
	01519.0000	4	Lockwasher, Split #8
12	29492.0000	2	Bracket, Solenoid
13	29495.0000	2	Guide, Pin
14	-----	2	Sensing Coil WO/Leads (Early models) (Not available order item 29)
	32572.1001	1	Sensing Coil W/Violet Leads (Includes plug below)
	32572.1002	1	Sensing Coil W/Yellow Leads (Includes plug below)
	20621.0000	2	Plug, hole .203" Dia. (Not illustrated)
15	32573.0000	2	Cover, Sensing Coil
	01382.0007	4	Screw, Truss Head #6-32 x .38"
16	01309.0000	1	Ground Screw W/Terminal Washer #10-32 x .50"
	01512.0000	1	Lockwasher #10
17	23004.0000	1	Bracket, Terminal Block Mounting
	39248.0001	1	Bracket, Terminal Block Mounting (Models with Main Power Switch)
	02308.0000	2	Screw, Pan Head #8-32 x .38"
18	07038.0000	1	Terminal Block, 3 Pole (BLK/RED/WHI)
	01106.0001	1	Terminal Block, 2 Pole (BLK/RED)
	01317.0000	2	Screw, Truss Head #8-32 x .50"
19	01590.0000	1	Connector, Cable
	01531.0000	1	Washer, Reducing
20	12570.0000	1	Grommet, Temperature Sensor
21	29327.0000	1	Probe Kit, Temperature/Dry Plug

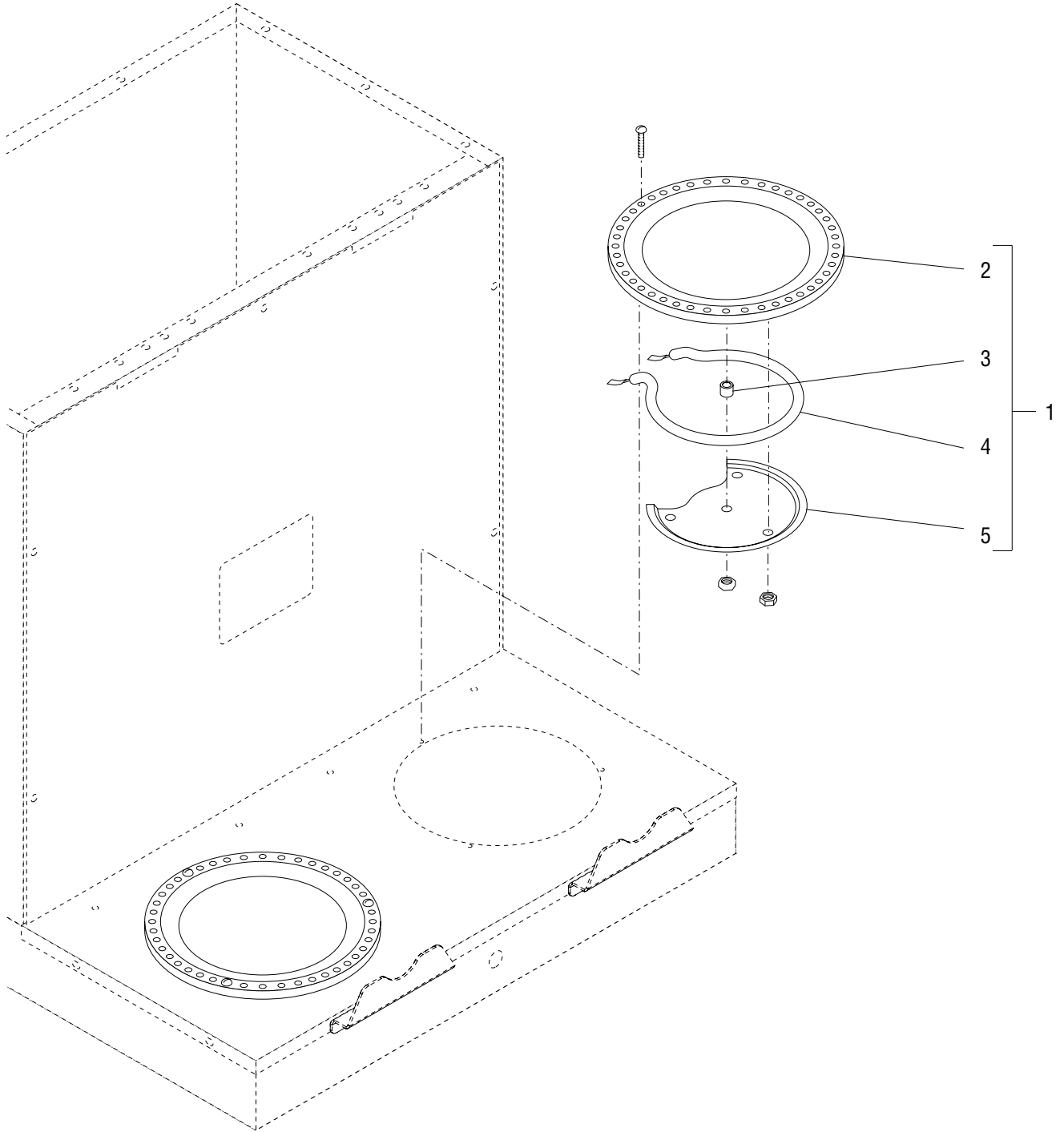
(continued)

* Indicates the part number listed is for reference only. See DESCRIPTION for possible service replacement.



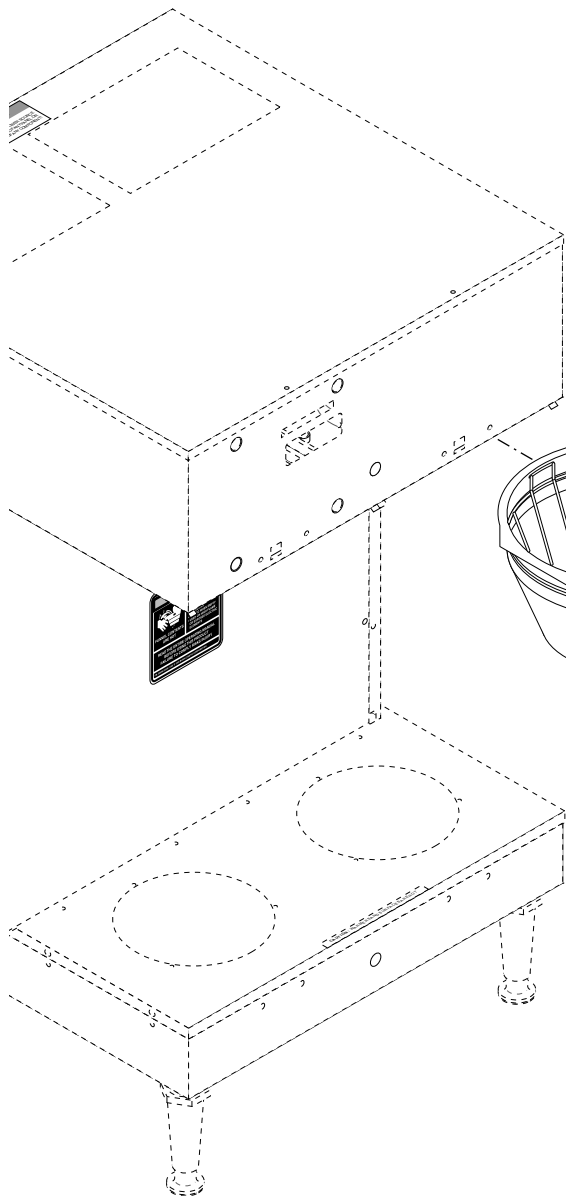
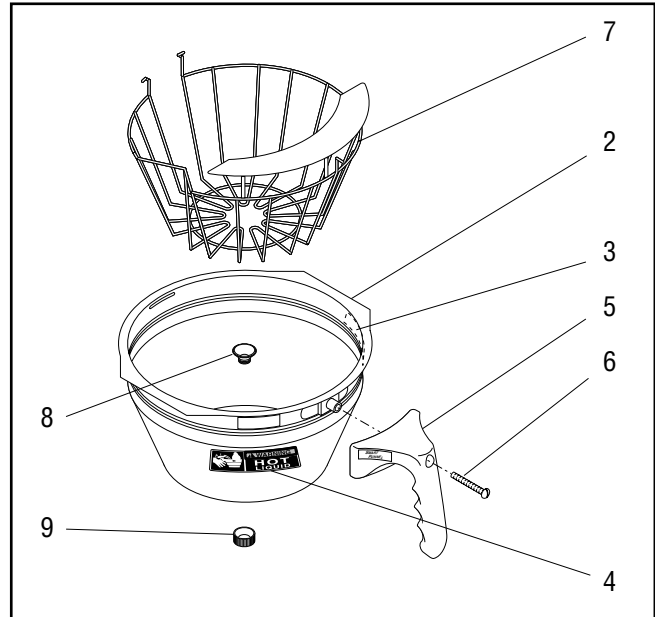
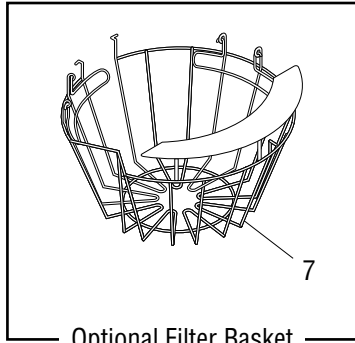
ELECTRICAL CONTROLS

ITEM	PART NO.	QTY.	DESCRIPTION
22	32018.0000	1	Bumper (Early models)
23	38894.0001	1	Switch, Main Power (Not used on all models)
	01308.0002	2	Screw, Truss Head #6-32 x .25" (Switch Mounting)
	01327.0000	4	Screw, Pan Head #10-32 x .375"
	01512.0000	4	Lockwasher, External Tooth #10
24	00824.0002	1	Decal, Ground
Note: The following parts are not illustrated			
25	33634.0000	1	Wiring Harness, Main
26	37859.0005	1	Wiring Harness, Main Power Switch
27	00603.0000	2	Clamp, Cable .438" I.D.
	02308.0000	2	Screw, Pan Head #8-32 x .38"
28	04831.0000	1	Clamp, Routing-Vinyl Dipped
29	38338.0000	-	Kit, Funnel Sensors (Includes left and right Funnel Sensor Coils W/Leads)



WARMER ASSEMBLIES

ITEM	PART NO.	QTY.	DESCRIPTION
1	03652.0000	2	Warmer Assy, BLK 100W 120V (Includes items 2 thru 5)
	01303.0000	6	
2	03656.0000	1	Warmer Dish, BLK - 45 Hole
3	13042.0001	1	Spacer, .174" I.D. x .188"
4	01227.0000	1	Warmer Element, 100W 120V
5	05212.0000	1	Plate, Warmer Retainer
	00970.0000	2	



FUNNEL

ITEM	PART NO.	QTY.	DESCRIPTION
1	32643.0000	2	Funnel Assy, SST
	32643.0010	2	Funnel Assy W/D-Ring Basket, SST (Optional)
			} Each includes Items 2 thru 9
2	24462.0002	1	Funnel W/Decals (Includes items 3 & 4)
3	03408.0004	1	Decal, Warning-Remove Funnel
4	03409.0004	1	Decal, Warning-Hot Liquid
5	32595.0000	1	Handle, Funnel-Black
6	12499.0002	1	Screw, Round Head .25" - 20 x 1.50" BLK
7	33089.0000	1	Filter Basket w/Splash Guard
	33089.0001	1	Filter Basket w/Splash Guard & D-Rings (Optional)
8	32139.0000	1	Insert, Funnel Tip - Male (Refer to item 10)
9	32140.0000	1	Insert, Funnel Tip - Female (Refer to item 10)
10	01031.0001	-	Funnel Tip Kit (Includes items 8 & 9)

NUMERICAL INDEX

PART NO.	PAGE NO.	PART NO.	PAGE NO.	PART NO.	PAGE NO.	PART NO.	PAGE NO.
00506.0000.....	5	02861.0000.....	21	20976.0006.....	17	32591.0009.....	17
00603.0000.....	25	03011.0000.....	7	20976.0036.....	21	32591.1000.....	17
00656.0000.....	5	03236.0024.....	9	20976.0059.....	17,21	32591.1002.....	13,15
00658.0000.....	5	03236.1000.....	9	20976.1000.....	15,17,19,21	32595.0000.....	29
00824.0002.....	25	03236.1001.....	9	20976.1001.....	15,17,19,21	32643.0000.....	29
00908.0000.....	9,11	03236.1002.....	9	20976.1002.....	15,17,19,21	32643.0010.....	29
00916.0000.....	5	03236.1003.....	9	21104.0003.....	7	32648.0000.....	17
00946.0000.....	9	03408.0004.....	29	21104.0007.....	7	32649.0000.....	7
00970.0000.....	17,23	03409.0004.....	29	21106.0002.....	5	33089.0000.....	29
00970.0000.....	7,27	03633.0000.....	9	21801.0002.....	9	33089.0001.....	29
00971.0000.....	9	03652.0000.....	27	22305.0000.....	19	33613.0000.....	23
00973.0000.....	23	03656.0000.....	27	22728.0000.....	9	33634.0000.....	25
00976.0000.....	13	03803.0000.....	9	23004.0000.....	23	34768.0001.....	13
00986.0000.....	5	03807.0000.....	9	23254.0000.....	19	34867.0004.....	19
00991.0000.....	23	03851.0000.....	9	23255.0000.....	19	34868.0000.....	19
01031.0001.....	29	03996.0000.....	5	23256.0000.....	19	34956.0000.....	19
01075.0000.....	19	04797.0000.....	9	23717.0003.....	9	35052.0000.....	19
01082.0002.....	19	04831.0000.....	25	24455.0005.....	5	35052.1000.....	19
01106.0001.....	23	05212.0000.....	27	24462.0002.....	29	35070.0001.....	19
01227.0000.....	27	05749.0004.....	5	25151.0000.....	5	35086.0000.....	13,15
01303.0000.....	27	07038.0000.....	23	25376.0000.....	5	35094.0001.....	13
01308.0002.....	25	11517.0008.....	19	25376.0002.....	5	35291.0000.....	7
01309.0000.....	23	11630.0001.....	13,15	26247.0001.....	23	35308.1004.....	19
01311.0000.....	5	12364.0000.....	5	26528.0000.....	5	35388.1003.....	5
01315.0000.....	13	12398.0002.....	9	26622.0001.....	9	36085.0000.....	13
01317.0000.....	23	12418.0001.....	15	26826.0000.....	11	36088.0000.....	13
01321.0000.....	9	12422.0001.....	9,15,17,21	26846.0000.....	19	36089.0001.....	13
01327.0000.....	25	12422.0005.....	17	26949.0001.....	5	36233.1000.....	15
01347.0000.....	7	12422.0008.....	19	27370.0000.....	17	36378.0001.....	15
01382.0003.....	5,7	12422.0009.....	13,15,17	27473.0000.....	9	37127.0001.....	13
01382.0007.....	23	12499.0002.....	29	28706.0002.....	21	37129.0000.....	11
01388.0000.....	9	12565.0011.....	9	28897.0000.....	23	37132.1000.....	5
01501.0000.....	9	12565.0028.....	9	29075.0000.....	21	37132.1001.....	5
01512.0000.....	23,25	12565.0036.....	9	29264.0000.....	21	37135.1000.....	5
01514.0000.....	13	12570.0000.....	23	29327.0000.....	23	37297.0001.....	15
01519.0000.....	23	12756.0000.....	13	29421.0000.....	13,15	37526.0000.....	11
01520.0000.....	9	12757.0000.....	13	29492.0000.....	23	37761.0000.....	13
01522.0000.....	13	13042.0001.....	27	29493.0000.....	23	37762.0000.....	13
01531.0000.....	23	13054.0000.....	21	29494.0000.....	23	37762.0001.....	13
01532.0005.....	21	13255.0003.....	7	29495.0000.....	23	37766.0000.....	5
01533.0005.....	9	20201.5600.....	5	29499.1000.....	23	37859.0005.....	25
01533.0010.....	23	20203.0100.....	9	29503.0000.....	23	37881.0000.....	5
01590.0000.....	23	20541.0001.....	9	29504.0000.....	23	38338.0000.....	25
02308.0000.....	5,11,13,23,25	20621.0000.....	23	29504.0001.....	23	38392.0000.....	11
02324.0000.....	7	20878.1008.....	11	29876.0004.....	5	38894.0001.....	25
02328.0003.....	9	20881.0000.....	11	29969.1000.....	23	39248.0001.....	23
02336.0000.....	5	20883.0000.....	11	29969.1014.....	23	39803.0000.....	7
02336.0002.....	5	20884.1000.....	5	29969.1038.....	23	40726.0000.....	23
02434.0010.....	9	20916.0002.....	5	29970.0000.....	23	41259.1003.....	9
02434.1000.....	9	20916.0008.....	5	29974.0004.....	5	41266.0000.....	9
02536.0000.....	9,13,15	20916.0009.....	5	32018.0000.....	25	41280.0001.....	9
02594.0000.....	21	20916.0012.....	5	32283.0000.....	15	41640.0000.....	15
02595.0000.....	21	20922.1000.....	9	32359.0000.....	13,15	43386.0000.....	9
02766.0000.....	21	20924.0003.....	5	32572.1001.....	23	M2517.0000.....	21
02854.0000.....	21	20936.1000.....	9	32572.1002.....	23	M2522.1000.....	9
02856.0002.....	21	20937.0004.....	13,15	32573.0000.....	23		
02858.0000.....	21	20976.0000.....	15	32591.0007.....	17		