

# Hoshizaki America, Inc.

## Modular Crescent Cuber

### Models

KM-90 IMAH

KM-90 IMWH

KM-90 IMRH/3



“A Superior Degree  
of Reliability”

[www.hoshizaki.com](http://www.hoshizaki.com)

## PARTS LIST



Number: 71277  
Issued: 7-23-2008  
Revised: 1-18-2016

## CONTENTS

Auxiliary Codes.....	3
Note About Ordering Parts .....	3
A. Main Assembly & Refrigeration Circuit .....	4
KM-901MAH .....	4
KM-901MWH.....	6
KM-901MRH/3.....	8
B. Water Circuit .....	10
C. Control Box Assembly .....	13
KM-901M_H .....	13
KM-901MRH3.....	13
D. Accessories & Labels .....	15

## Auxiliary Codes

### KM-901MAH

T-0 February 2008  
U-0 January 2009  
U-1 February 2009  
U-2 May 2009  
U-3 August 2009  
V-0 January 2010  
A-0 January 2011  
A-1 October 2011  
B-0 January 2012  
B-1 November 2012  
C-0 January 2013  
D-1 January 2014  
D-2 December 2014  
E-0 January 2015  
F-0 January 2016

### KM-901MWH

T-0 February 2008  
U-0 January 2009  
U-1 February 2009  
U-2 May 2009  
U-3 August 2009  
V-0 January 2010  
A-0 January 2011  
A-1 October 2011  
B-0 January 2012  
B-1 November 2012  
C-0 January 2013  
D-1 January 2014  
D-2 December 2014  
E-0 January 2015  
F-0 January 2016

### KM-901MRH

T-0 February 2008  
U-0 January 2009  
U-1 February 2009  
U-2 May 2009  
U-3 August 2009  
V-0 January 2010  
A-0 January 2011  
A-1 October 2011  
B-0 January 2012  
C-0 January 2013  
D-1 January 2014  
D-2 July 2014  
E-0 January 2015  
F-0 January 2016

### KM-901MRH3

T-0 February 2008  
U-0 January 2009  
U-1 February 2009  
U-2 May 2009  
U-3 August 2009  
V-0 January 2010  
A-0 January 2011  
A-1 November 2011  
B-0 January 2012  
C-0 March 2013  
D-0 January 2014  
D-1 December 2014  
E-0 January 2015  
F-0 January 2016

## Auxiliary Code Breakdown

The auxiliary code is the first two characters in the serial number. The first character indicates the year. Years progress or regress in alphabetical order. The series runs from "A" through "V" and the letters "I" and "O" are skipped. The second character indicates significant part changes within a year. Base is "0" and this number advances for each change. In cases where there is a letter in parentheses, this designates the month. This is the last character in the serial number. The series runs from "(A)" through "(M)" and the letter "(I)" is skipped. This designation is only included when identifying a parts change within an auxiliary code.

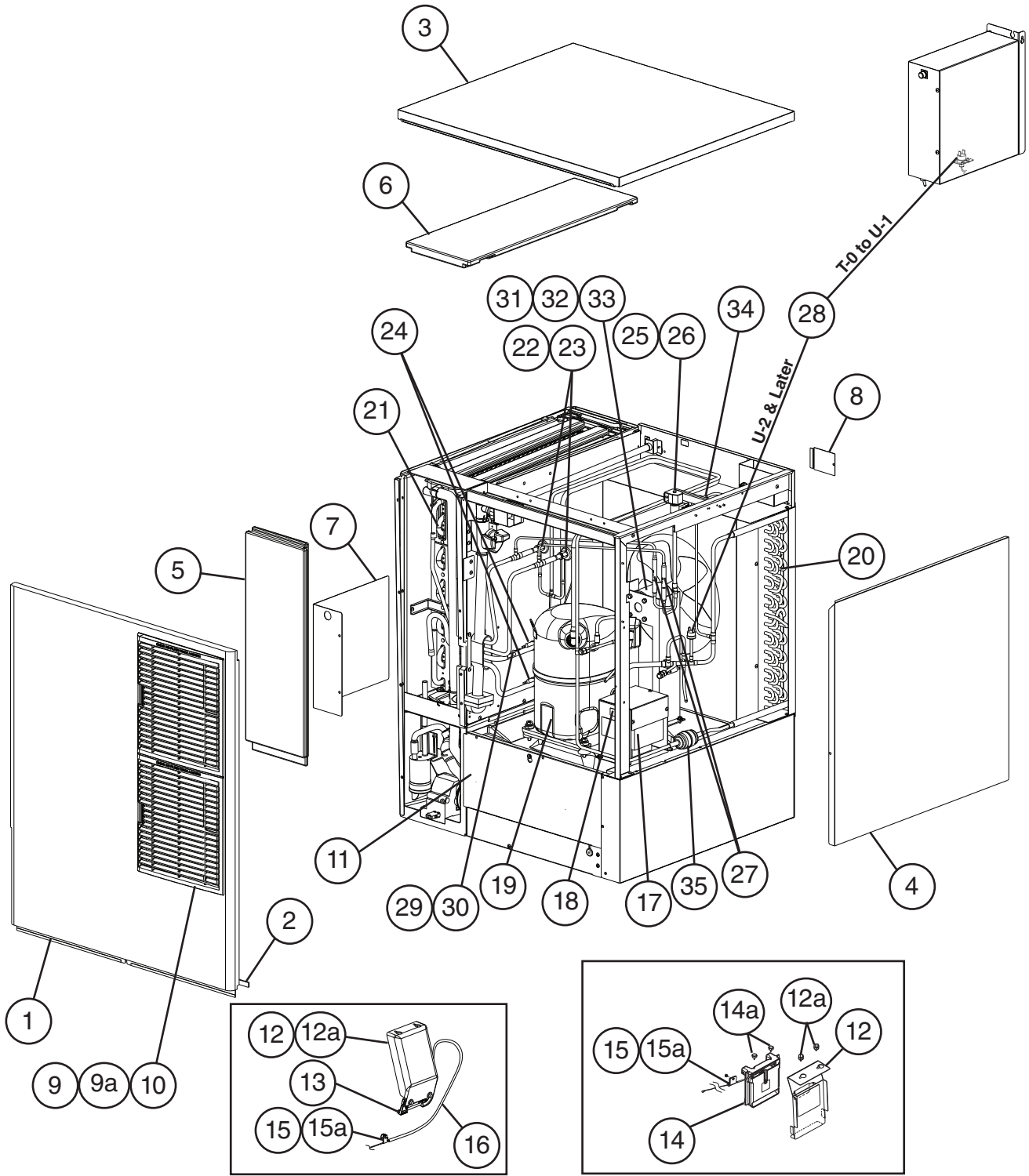
## Note About Ordering Parts

Most assemblies cannot be ordered as complete units; parts in the assemblies generally must be ordered separately.

# A. Main Assembly & Refrigeration Circuit

## KM-901MAH

T-0 to F-0



T-0, U-0  
 For Bin Control Thermostat,  
 see "C. Control Box Assembly"

U-1 & Later

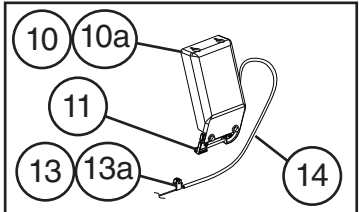
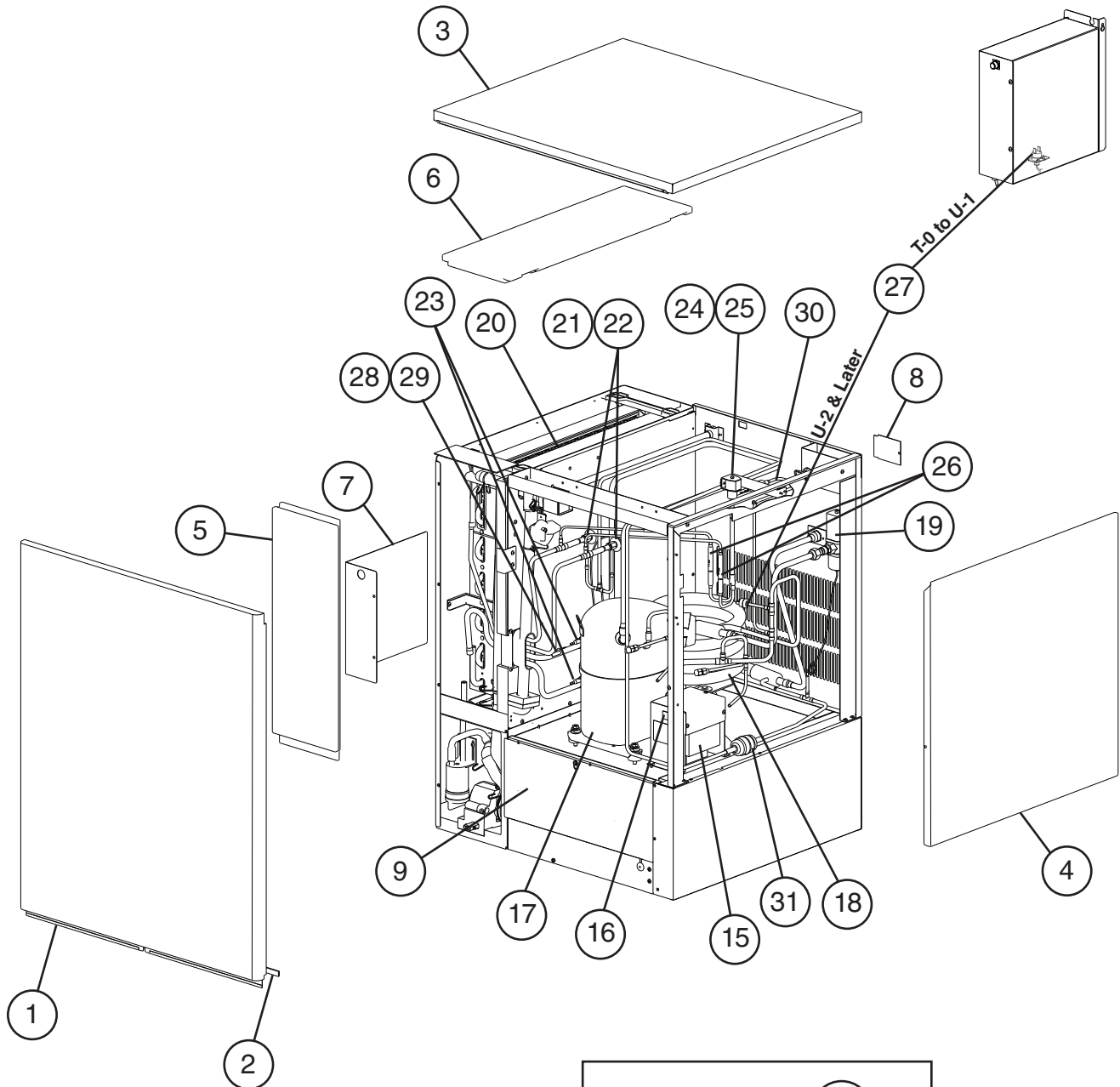
**Title: A. Main Assembly & Refrigeration Circuit Model: KM-901MAH**

Index No.	Description	Material or Model Number	Part Number	Required Number									
				T-0 U-0	U-1	U-2 to A-0	A-1 to B-0	B-1 to C-0	D-1 to F-0				
<b>Main Assembly</b>													
1	Front Panel		2A3986G01	1	1	1	1	1	1				
2	Gasket	L=762 mm	4A0808L02	1	1	1	1	1	1				
3	Top Panel		3A4185G01	1	1	1	1	1	1				
4	Right Side Panel		2A2117G02	1	1	1	1	1	1				
5	Front Insulation		215731G02	1	1	1	1	1	1				
6	Top Insulation		215730G01	1	1	1	1	1	1				
7	Control Box Cover		3A2386-01	1	1	1	1	1	1				
8	Junction Box Cover		433410-01	1	1	1	1	1	1				
9	Louver		1A0547-01	2	2	2	2	2	2				
9a	Push Retainer		4A2414-01	6	6	6	6	6	6				
10	Air Filter		2A2062G01	2	2	2	2	2	2				
11	Base Cover		322618G02	1	1	1	1	1	1				
12	Bulb Holder (C)		3A0218G01	1	-								
	Mechanical Bin Control Switch Mount		3A5210-01		1	1	1	1	1				
12a	Thumbscrew		415949G12	2	2	2	2	2	2				
13	Bulb Holder		3A3903-01	1	-								
14	Mechanical Bin Control		2A4393G01		1	1	1	1	1				
14a	Thumbscrew		415949G10		2	2	2	2	2				
15	Strap		435487-01	1	1	1	1	1	1				
15a	Thumbscrew		415949G10	1	1	1	1	1	1				
16	Silicone Hose	L=390 mm	7730I3812	1	-								
17	Main Transformer		4A0817-01							1			
18	Voltage Tap Switch		4A1477-01							1			
<b>Refrigeration Circuit</b>													
19	Compressor		4A4134-01	1	1	1	-						
			4A4134-03				1	1	1				
20	Condenser		1A1259-01	1	1	1	1	1	1				
21	Evaporator		106396G02	1	1	1	1	-					
			1A2351G01					1	1				
22	Thermostatic Expansion Valve		4A4008-01	2	2	2	2	2	2				
23	Thermostatic Expansion Valve Cover		3A0944-01	2	2	2	2	2	2				
24	Thermostatic Expansion Valve Bulb Holder		3A0107-01	2	2	2	2	2	2				
25	Hot Gas Valve Body		4A3978-01	1	1	1	1	1	1				
26	Valve Coil		4A3277-01	1	1	1	1	1	1				
27	Check Valve		4A1373-01	2	2	2	2	2	2				
28	High-Pressure Switch		433441-07	1	1	-							
			463180-04			1	1	1	1				
29	Thermistor	L=1050 mm	429006-03	1	1	1	1	1	1				
30	Thermistor Holder		427430-01	1	1	1	1	1	1				
31	Fan Motor		4A3158-01	1	1	1	1	1	1				
32	Fan Motor Capacitor	5MFD, 250VAC	443192-02	1	1	1	1	1	1				
33	Fan Blade		4A4144-01	1	1	1	1	1	1				
34	Strainer		441569-02	1	1	1	1	1	1				
35	Drier		4A2666-01	1	1	1	1	1	1				

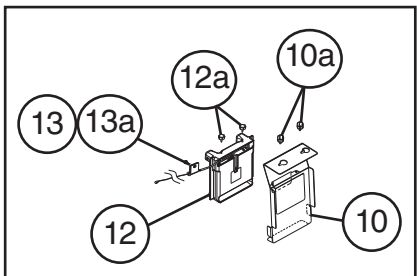
# A. Main Assembly & Refrigeration Circuit

## KM-901MWH

T-0 to F-0



T-0, U-0



U-1 & Later

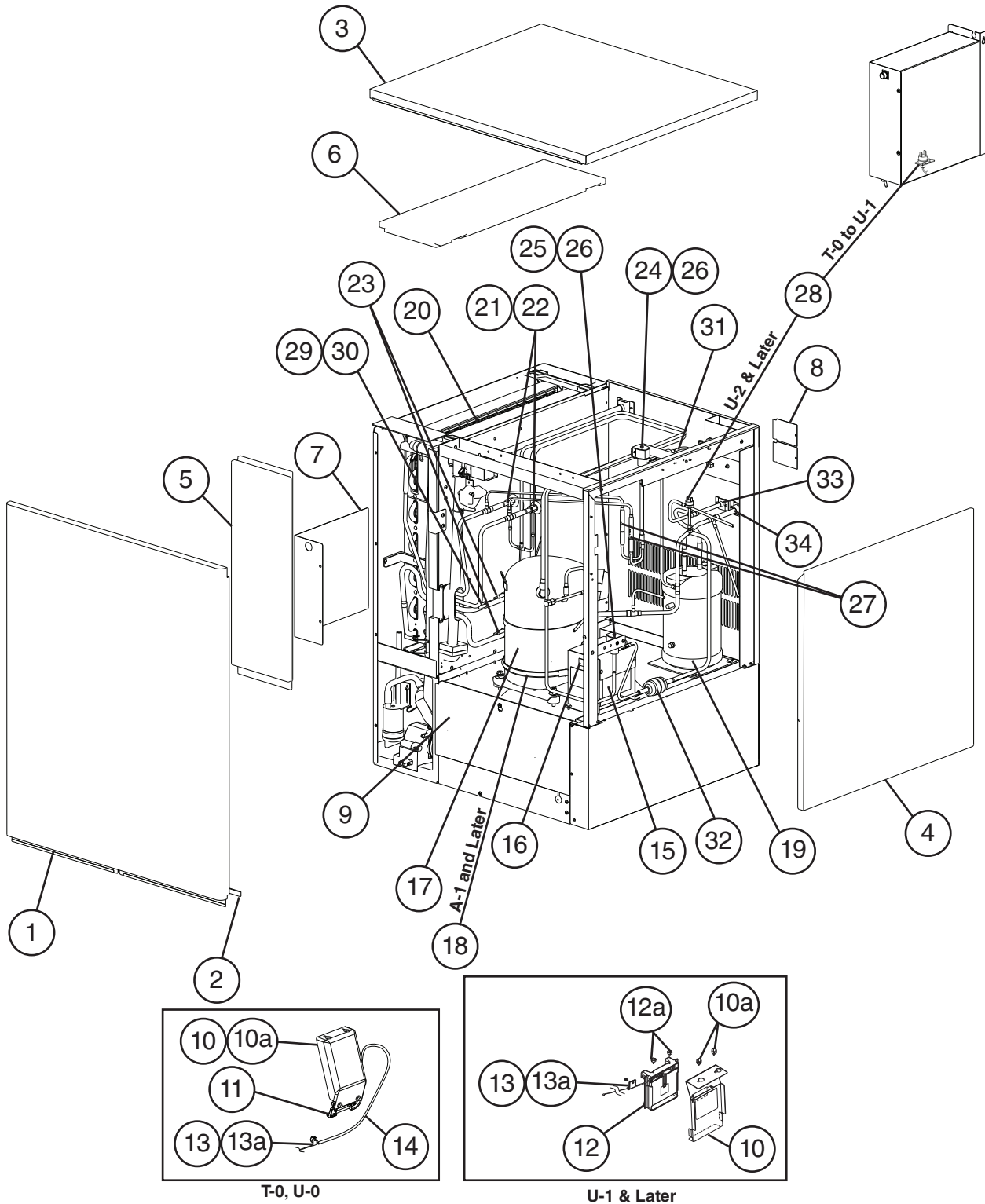
For Bin Control Thermostat, see "C. Control Box Assembly"

Title: A. Main Assembly & Refrigeration Circuit Model: KM-901MWH												
Index No.	Description	Material or Model Number	Part Number	Required Number								
				T-0 U-0	U-1	U-2 to A-0	A-1 B-0	B-1 to C-0	D-1 to F-0			
<b>Main Assembly</b>												
1	Front Panel		2A2252G01	1	1	1	1	1	1			
2	Gasket	L=762 mm	4A0808L02	1	1	1	1	1	1			
3	Top Panel		3A1862A01	1	1	1	1	1	1			
4	Right Side Panel		2A2117G02	1	1	1	1	1	1			
5	Front Insulation		215731G02	1	1	1	1	1	1			
6	Top Insulation		215730G01	1	1	1	1	1	1			
7	Control Box Cover		3A2386-01	1	1	1	1	1	1			
8	Junction Box Cover		433410-01	2	2	2	2	2	2			
9	Base Cover		322618G02	1	1	1	1	1	1			
10	Bulb Holder (C)		3A0218G01	1	-							
	Mechanical Bin Control Switch Mount		3A5210-01		1	1	1	1	1			
10a	Thumbscrew		415949G12	2	2	2	2	2	2			
11	Bulb Holder		3A3903-01	1	-							
12	Mechanical Bin Control		2A4393G01		1	1	1	1	1			
12a	Thumbscrew		415949G10		2	2	2	2	2			
13	Strap		435487-01	1	1	1	1	1	1			
13a	Thumbscrew		415949G10	1	1	1	1	1	1			
14	Silicone Hose	L=390 mm	773013812	1	-							
15	Main Transformer		4A0817-01							1		
16	Voltage Tap Switch		4A1477-01							1		
<b>Refrigeration Circuit</b>												
17	Compressor		4A4134-01	1	1	1	-					
			4A4134-03				1	1	1			
18	Condenser	HS-0162	2A2359G03	1	1	1	1	-				
			3A7323-01					1	1			
19	Water Regulating Valve		4A0911-07	1	1	1	1	1	1			
20	Evaporator		106396G02	1	1	1	1	1	1			
21	Thermostatic Expansion Valve		4A4008-01	2	2	2	2	2	2			
22	Thermostatic Expansion Valve Cover		3A0944-01	2	2	2	2	2	2			
23	Thermostatic Expansion Valve Bulb Holder		3A0107-01	2	2	2	2	2	2			
24	Hot Gas Valve Body		4A3978-01	1	1	1	1	1	1			
25	Valve Coil		4A3277-01	1	1	1	1	1	1			
26	Check Valve		4A1373-01	2	2	2	2	2	2			
27	High-Pressure Switch		433441-05	1	1	-						
			463180-05			1	1	1	1			
28	Thermistor	L=1050 mm	429006-03	1	1	1	1	1	1			
29	Thermistor Holder		427430-01	1	1	1	1	1	1			
30	Strainer		441569-02	1	1	1	1	1	1			
31	Drier		4A2666-01	1	1	1	1	1	1			

# A. Main Assembly & Refrigeration Circuit

## KM-901MRH/3

T-0 to F-0

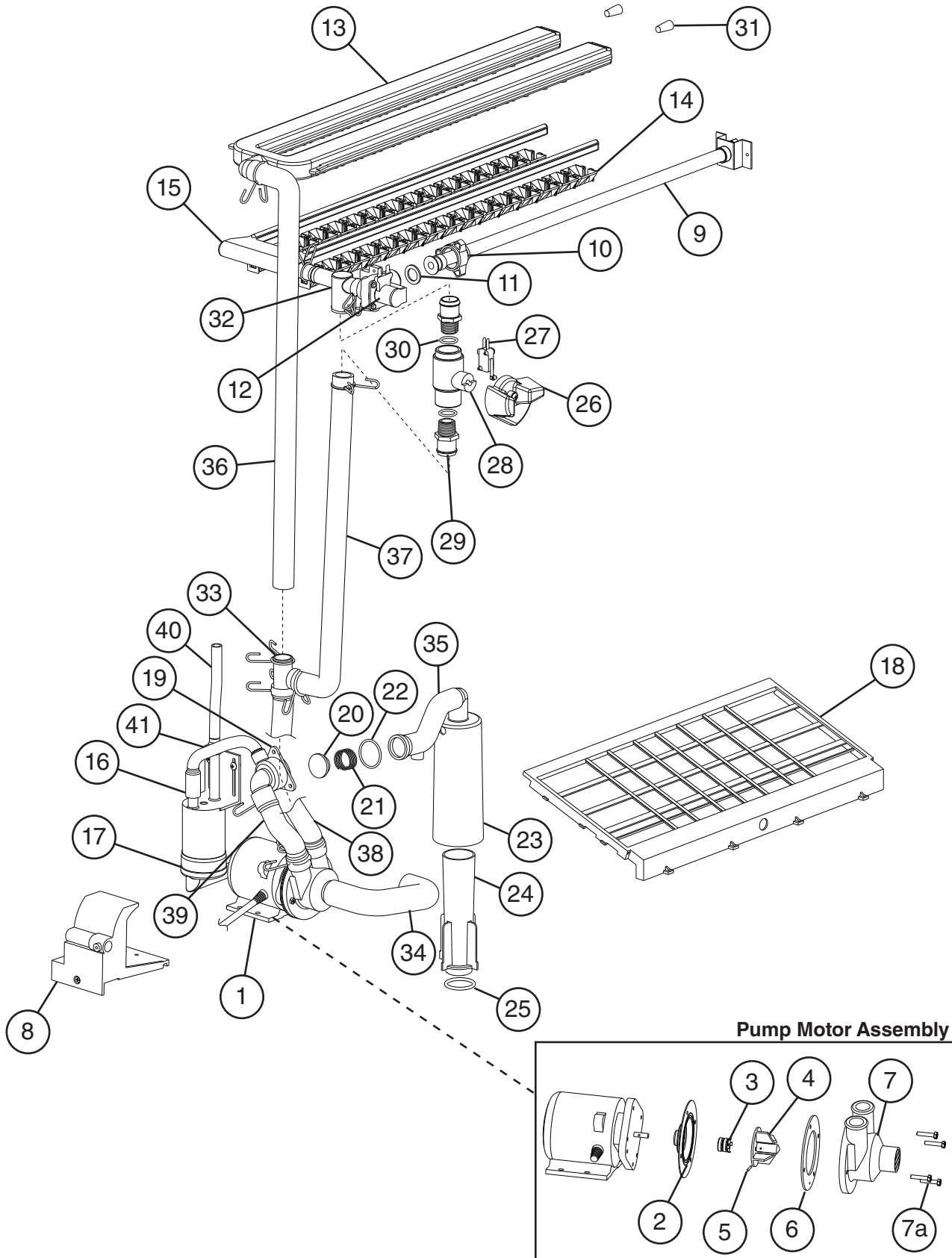


For Bin Control Thermostat, see "C. Control Box Assembly"



Title: A. Main Assembly & Refrigeration Circuit Model: KM-901MRH/3												
Index No.	Description	Material or Model Number	Part Number	Required Number								
				T-0 U-0	U-1	U-2 to A-0	A-1 to C-0	C-1 D-1	D-2 to F-0			
<b>Main Assembly</b>												
1	Front Panel		2A2252G01	1	1	1	1	1	1	1		
2	Gasket	L=762 mm	4A0808L02	1	1	1	1	1	1	1		
3	Top Panel		3A1862A01	1	1	1	1	1	1	1		
4	Right Side Panel		2A2117G02	1	1	1	1	1	1	1		
5	Front Insulation		215731G02	1	1	1	1	1	1	1		
6	Top Insulation		215730G01	1	1	1	1	1	1	1		
7	Control Box Cover		3A2386-01	1	1	1	1	1	1	1		
8	Junction Box Cover		433410-01	2	2	2	2	2	2	2		
9	Base Cover		322618G02	1	1	1	1	1	1	1		
10	Bulb Holder (C)		3A0218G01	1	-							
	Mechanical Bin Control Switch Mount		3A5210-01		1	1	1	1	1	1		
10a	Thumbscrew		415949G12	2	2	2	2	2	2	2		
11	Bulb Holder		3A3903-01	1	-							
12	Mechanical Bin Control		2A4393G01		1	1	1	1	1	1		
12a	Thumbscrew		415949G10		2	2	2	2	2	2		
13	Strap		435487-01	1	1	1	1	1	1	1		
13a	Thumbscrew		415949G10	1	1	1	1	1	1	1		
14	Silicone Hose	L=390 mm	773013812	1	-							
15	Main Transformer	KM-901MRH3	4A0817-01	1	1	1	1	1	1	1		
		KM-901MRH						1	1			
16	Voltage Tap Switch	KM-901MRH3	4A1477-01	1	1	1	1	1	1	1		
		KM-901MRH						1	1			
<b>Refrigeration Circuit</b>												
17	Compressor (A-1 and later utilize external crankcase heater - item 17)	KM-901MRH	4A4134-02	1	1	1	-					
			4A4134-03				1	1	1			
		KM-901MRH3	4A4135-02	1	1	1	-					
			4A4135-03				1	1	1			
18	Crankcase Heater		434186-01				1	1	-			
			4A5397-02						1			
19	Receiver Tank		437652-01	1	1	1	1	1	1	1		
20	Evaporator		106396G02	1	1	1	1	1	1	1		
21	Thermostatic Expansion Valve		4A1414-01	2	2	2	2	2	2	2		
22	Thermostatic Expansion Valve Cover		3A0944-01	2	2	2	2	2	2	2		
23	Thermostatic Expansion Valve Bulb Holder		3A0107-01	2	2	2	2	2	2	2		
24	Hot Gas Valve Body		4A3978-01	1	1	1	1	1	1	1		
25	Liquid Line Valve Body		4A3276-01	1	1	1	1	1	1	1		
26	Valve Coil		4A3277-01	2	2	2	2	2	2	2		
27	Check Valve		4A1373-01	2	2	2	2	2	2	2		
28	High-Pressure Switch		433441-07	1	1	-						
			463180-04			1	1	1	1			
29	Thermistor	L=1050 mm	429006-03	1	1	1	1	1	1	1		
30	Thermistor Holder		427430-01	1	1	1	1	1	1	1		
31	Strainer		441569-02	1	1	1	1	1	1	1		
32	Drier		4A2666-01	1	1	1	1	1	1	1		
33	Liquid Line Coupling		433751G01	1	1	1	1	1	1	1		
34	Discharge Line Coupling		434136G02	1	1	1	1	1	1	1		

**B. Water Circuit**  
**KM-901M\_H/3**  
 T-0 to F-0

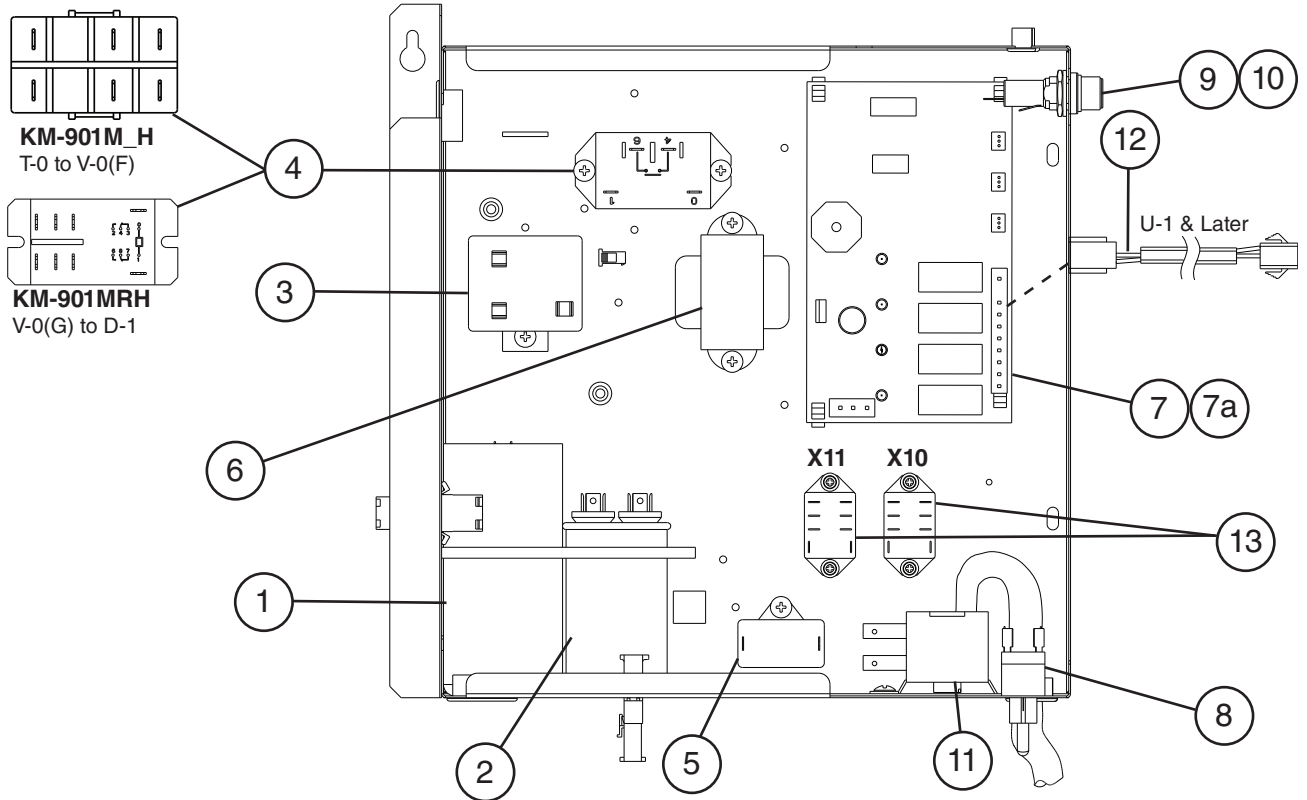


**Title: B. Water Circuit Model: KM-901M\_H/3**

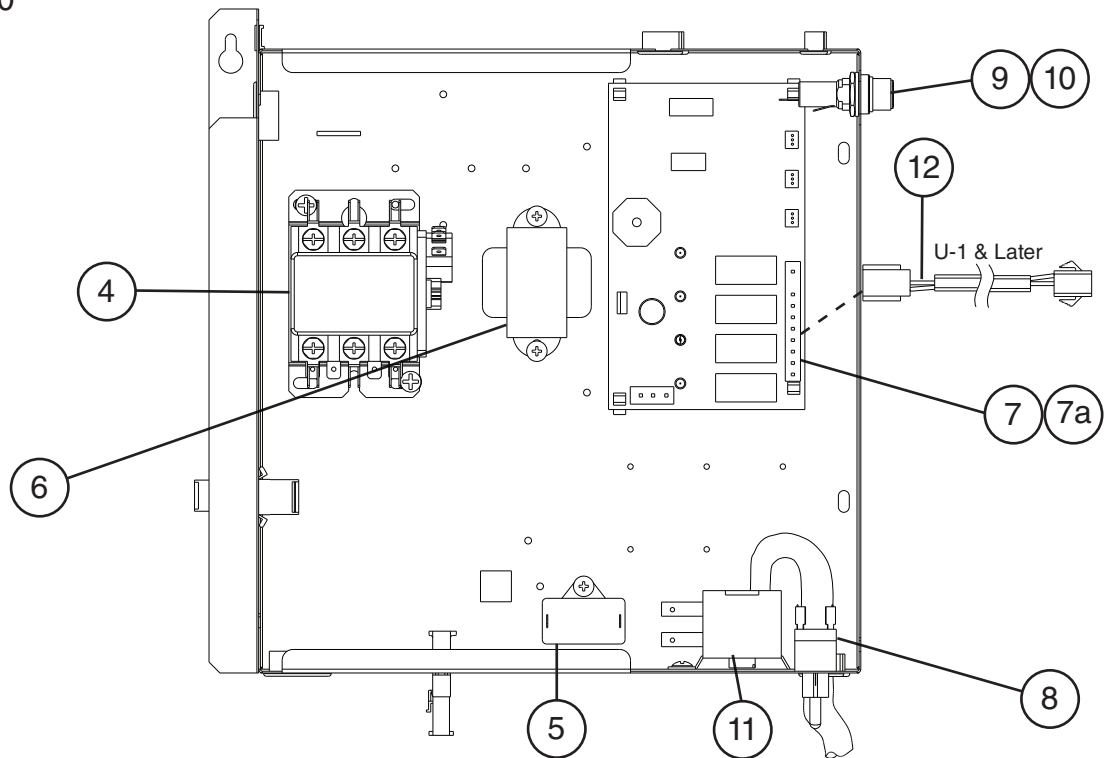
Index No.	Description	Material or Model Number	Part Number	Required Number								
				T-0 to V-0	A-0 to B-0	B-1 F-0						
1	Pump Motor Assembly	HS-0176	3A2638A03	1	1	1						
2	Pump Flange		3A2988-01	1	1	1						
3	Mechanical Seal		465627-01	1	1	1						
4	Impeller		433522-01	1	1	1						
5	Pin		4A0648-01	1	1	1						
6	Pump Gasket		4A2974-01	1	1	1						
7	Pump Housing		211409-01	1	1	1						
7a	Screw	4x20	4A3871-01	4	4	4						
8	Pump Motor Bracket		211408-01	1	1	1						
9	Water Supply Pipe		4A5216G04	1	1	1						
10	Water Supply Pipe Fitting Nut		468616-01	1	1	1						
11	Rubber Gasket		413854-03	1	1	1						
12	Inlet Water Valve	<b>KM-901MAH</b>	3U0111-04	1	1	-						
			3U0111-03			1						
		<b>KM-901MWH KM-901MRH/3</b>	3U0111-04	1	1	1						
13	Spray Tube		1A0260-02	1	1	1						
14	Spray Guide	<b>KM-901MAH</b>	208586-01	6	6	-						
			2A4282-02			2						
		<b>KM-901MWH KM-901MRH/3</b>	208586-01	6	6	6						
15	Water Supply Tube		2A0079-01	1	1	1						
16	Float Switch		4A3624-01	1	1	1						
17	Float Switch Connector		426799-01	1	1	1						
18	Cube Guide		212088-01	1	1	1						
19	Drain Valve Housing		321001-01	1	1	1						
20	Drain Valve Seat		433705-01	1	1	1						
21	Drain Valve Spring		322110-01	1	1	1						
22	O-Ring		7611-G035	1	1	1						
23	Overflow Cap		321002-01	1	1	1						
24	Overflow Pipe		430722-01	1	1	1						
25	O-Ring		4A1234-01	1	1	1						
26	Cleaning Valve Handle		215383-01	1	1	1						
27	Cleaning Valve Microswitch		4A2546-01	1	1	1						
28	Cleaning Valve Ball Valve		439293-01	1	1	1						
29	Cleaning Valve Male Adapter		325826-01	2	2	2						
30	O-Ring		7611-P018	2	Replaced with thread sealant tape							
31	Plug		4A0176-01	2	2	2						
32	Distributor A (Tee)		4A0177-01	1	1	1						
33	Distributor (Tee)		432426-01	1	1	1						
34	Suction Hose		433466-01	1	1	1						
35	Drain Hose		433468-01	1	1	1						
36	Rubber Hose A		4A1551-01	1	1	1						
37	Rubber Hose B		4A1551-02	1	1	1						
38	Vinyl Hose	L=250 mm	7716-2025	1	1	1						
39	Vinyl Hose	L=110 mm	7716-2025	1	1	1						
40	Silicone Hose	L=140 mm	773013812	1	1	1						
41	Silicone Hose	L=140 mm	773013896	1	1	1						

Title: B. Water Circuit Model: KM-901M_H/3											
Index No.	Description	Material or Model Number	Part Number	Required Number							
				T-0 to V-0	A-0 to B-0	B-1 F-0					
<b>Hose Clamps</b>											
	Hose Clamp	25 mm	427443-03	9	9	9					
	Hose Clamp	18 mm	427443-05	1	1	1					
	Hose Clamp	20 mm	427443-06	1	1	1					

**C. Control Box Assembly**  
**KM-901M\_H**  
 T-0 to F-0



**C. Control Box Assembly**  
**KM-901MRH3**  
 T-0 to F-0

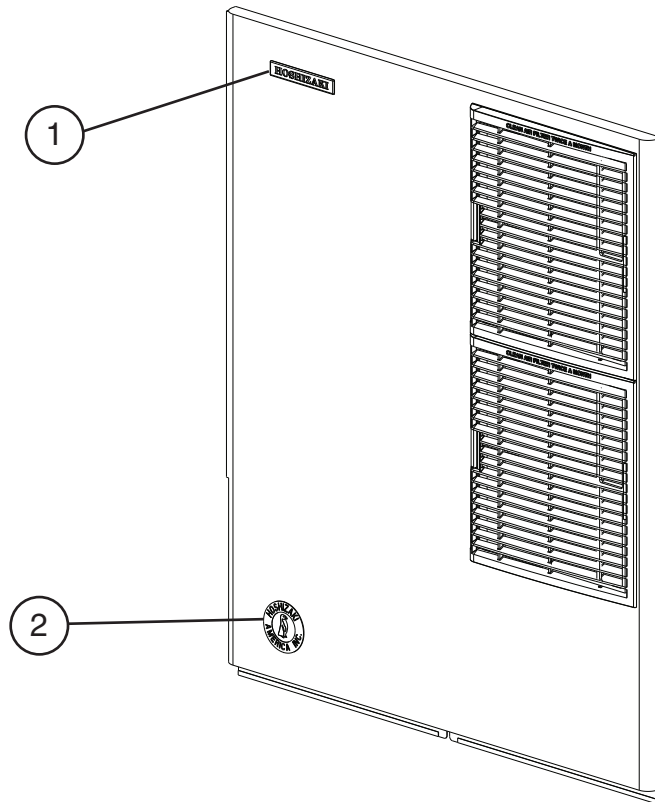


Title: C. Control Box Assembly Model: KM-901MAH, KM-901MWH, KM-901MRH/3												
Index No.	Description	Material or Model Number	Part Number	Required Number								
				T-0 U-0	U-1 to V-0 (F)	V-0 (G) to B-0	B-1 to D-1	D-2 F-0				
1	Start Capacitor	145-174MFD, 220V	3A0076-11	1	1	1	1	1				
2	Run Capacitor	30MFD, 370VAC	3A2005-03	1	1	1	1	1				
3	Start Relay		4A1107-13	1	1	1	1	1				
4	Magnetic Contactor	<b>KM-901MAH</b>	428393-01	1	1	-						
	Compressor Relay	<b>KM-901MWH</b>	4A3140-01			1	1	1				
	Magnetic Contactor	<b>KM-901MRH</b>	428393-01	1	1	-						
	Compressor Relay		4A5096-01			1	1	-				
				4A3140-01					1			
	Magnetic Contactor	<b>KM-901MRH3</b>	4A0794-01	1	1	1	<b>1</b>	1				
5	Pump Motor Capacitor	5.5MFD, 250VAC	443192-03	1	1	1	1	1				
6	Control Transformer		3A0172-01	1	1	1	1	1				
7	"E" Control Board		2A1410-01	1	-							
	"G" Control Board		2A3792-01		1	1	1	1				
7a	Control Board Support		4A0336-03	4	4	4	4	4				
8	Control Switch		443119-01	1	1	1	1	1				
9	Fuse Holder		4A5443-01	1	1	1	1	1				
10	Fuse	AGC-10A, 250VAC	4A0893-07	1	1	1	1	1				
11	Bin Control Thermostat		4A2879-02	1	-							
12	Mechanical Bin Control Wire Harness	L=90 mm	4A2200G04		1	1	1	1				
		<b>KM-901MRH3</b> L=300 mm	4A2200G05		1	1	1	1				
13	Relay (Harvest Pump Timer)	<b>KM-901MAH</b> (X10, X11)	406132-07				2	2				
	Crankcase Heater Relay	<b>KM-901MRH</b> (X11)						1				

## D. Accessories & Labels

### KM-901M\_H/3

T-0 to F-0



Title: D. Accessories & Labels Model: KM-901M_H/3					Required Number							
Index No.	Description	Material or Model Number	Part Number	T-0 to F-0								
				1	Hoshizaki Emblem Label		4A0560-01	1				
2	Penguin Label		4A0526-01	1								
3	Universal Brace		4A0363-01	2								
3a	Hex Bolt	5x12, SS	7B02-0512	4								