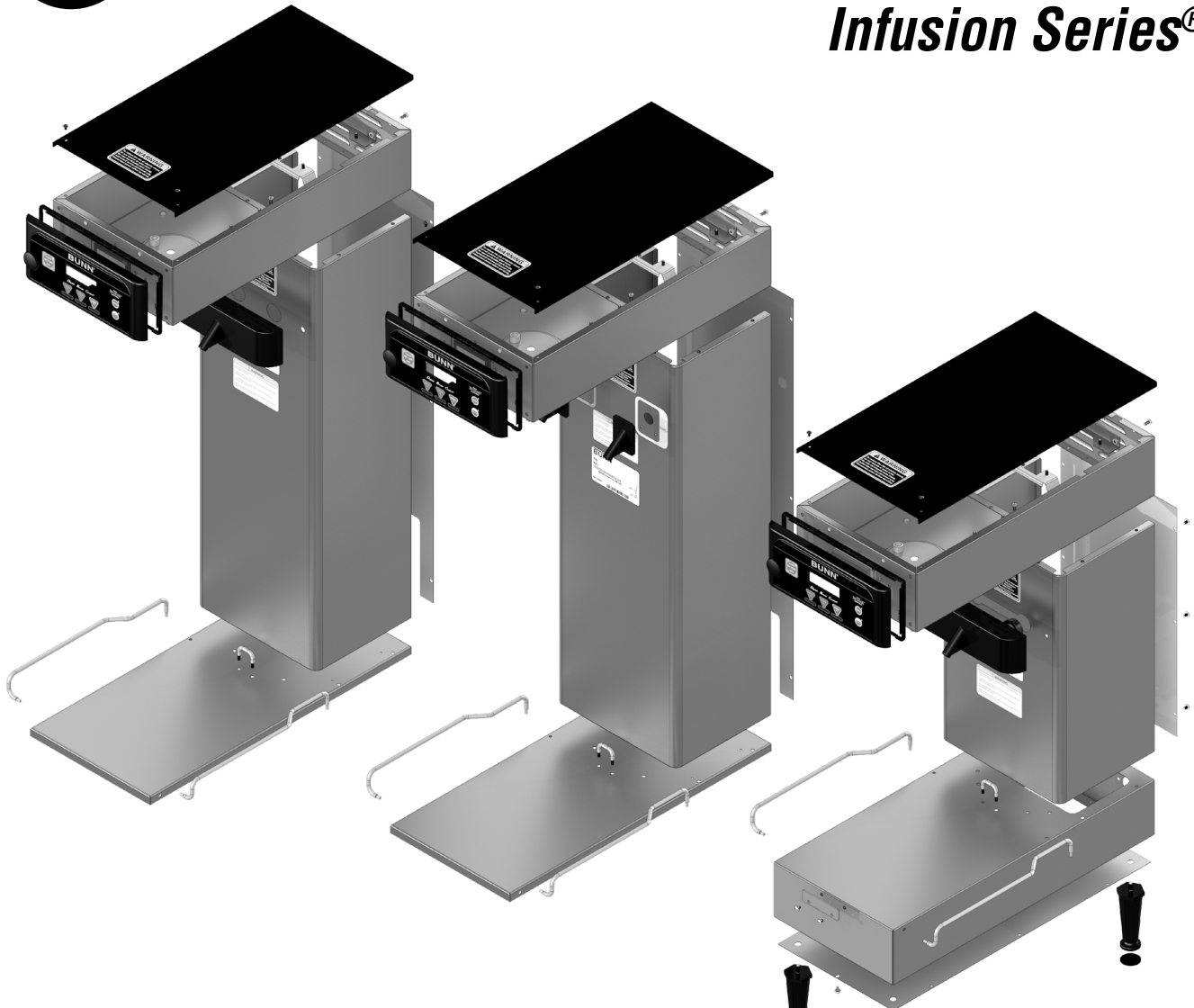




ITB *Infusion Series®*



ILLUSTRATED PARTS CATALOG

Designs, materials, weights, specifications, and dimensions for equipment or replacement parts are subject to change without notice.

BUNN-O-MATIC CORPORATION

POST OFFICE BOX 3227
SPRINGFIELD, ILLINOIS 62708-3227
PHONE: (217) 529-6601 FAX: (217) 529-6644

To ensure you have the latest revision of the Operating Manual, Illustrated Parts Catalog, Programming Manual, or Service Manual, please visit the Bunn-O-Matic website, at www.bunn.com. This is absolutely FREE, and the quickest way to obtain the latest catalog and manual updates. For Technical Service, contact Bunn-O-Matic Corporation at 1-800-286-6070.



BUNN-O-MATIC COMMERCIAL PRODUCT WARRANTY

Bunn-O-Matic Corp. ("BUNN") warrants equipment manufactured by it as follows:

- 1) Airpots, thermal carafes, decanters, GPR servers, iced tea/coffee dispensers, MCR/MCP/MCA single cup brewers, thermal servers and ThermoFresh® servers (mechanical and digital) 1 year parts and 1 year labor.
- 2) All other equipment - 2 years parts and 1 year labor plus added warranties as specified below:
 - a) Electronic circuit and/or control boards - parts and labor for 3 years.
 - b) Compressors on refrigeration equipment - 5 years parts and 1 year labor.
 - c) Grinding burrs on coffee grinding equipment to grind coffee to meet original factory screen sieve analysis - parts and labor for 4 years or 40,000 pounds of coffee, whichever comes first.

These warranty periods run from the date of installation BUNN warrants that the equipment manufactured by it will be commercially free of defects in material and workmanship existing at the time of manufacture and appearing within the applicable warranty period. This warranty does not apply to any equipment, component or part that was not manufactured by BUNN or that, in BUNN's judgment, has been affected by misuse, neglect, alteration, improper installation or operation, improper maintenance or repair, non periodic cleaning and descaling, equipment failures related to poor water quality, damage or casualty. In addition, the warranty does not apply to replacement of items subject to normal use including but not limited to user replaceable parts such as seals and gaskets. This warranty is conditioned on the Buyer 1) giving BUNN prompt notice of

any claim to be made under this warranty by telephone at (217) 529-6601 or by writing to Post Office Box 3227, Springfield, Illinois 62708-3227; 2) if requested by BUNN, shipping the defective equipment prepaid to an authorized BUNN service location; and 3) receiving prior authorization from BUNN that the defective equipment is under warranty.

THE FOREGOING WARRANTY IS EXCLUSIVE AND IS IN LIEU OF ANY OTHER WARRANTY, WRITTEN OR ORAL, EXPRESS OR IMPLIED, INCLUDING, BUT NOT LIMITED TO, ANY IMPLIED WARRANTY OF EITHER MERCHANTABILITY OR FITNESS FOR A PARTICULAR PURPOSE. The agents, dealers or employees of BUNN are not authorized to make modifications to this warranty or to make additional warranties that are binding on BUNN. Accordingly, statements by such individuals, whether oral or written, do not constitute warranties and should not be relied upon.

If BUNN determines in its sole discretion that the equipment does not conform to the warranty, BUNN, at its exclusive option while the equipment is under warranty, shall either 1) provide at no charge replacement parts and/or labor (during the applicable parts and labor warranty periods specified above) to repair the defective components, provided that this repair is done by a BUNN Authorized Service Representative; or 2) shall replace the equipment or refund the purchase price for the equipment.

THE BUYER'S REMEDY AGAINST BUNN FOR THE BREACH OF ANY OBLIGATION ARISING OUT OF THE SALE OF THIS EQUIPMENT, WHETHER DERIVED FROM WARRANTY OR OTHERWISE, SHALL BE LIMITED, AT BUNN'S SOLE OPTION AS SPECIFIED HEREIN, TO REPAIR, REPLACEMENT OR REFUND.

In no event shall BUNN be liable for any other damage or loss, including, but not limited to, lost profits, lost sales, loss of use of equipment, claims of Buyer's customers, cost of capital, cost of down time, cost of substitute equipment, facilities or services, or any other special, incidental or consequential damages.

392, A Partner You Can Count On, Air Infusion, AutoPOD, AXIOM, BrewLOGIC, BrewMETER, Brew Better Not Bitter, BrewWISE, BrewWIZARD, BUNN Espresso, BUNN Family Gourmet, BUNN Gourmet, BUNN Pour-O-Matic, BUNN, BUNN with the stylized red line, BUNNlink, Bunn-O-Matic, Bunn-O-Matic, BUNNserve, BUNNSERVE with the stylized wrench design, Cool Froth, DBC, Dr. Brew stylized Dr. design, Dual, Easy Pour, EasyClear, EasyGard, FlavorGard, Gourmet Ice, Gourmet Juice, High Intensity, iMIX, Infusion Series, Intellisteam, My Café, Phase Brew, PowerLogic, Quality Beverage Equipment Worldwide, Respect Earth, Respect Earth with the stylized leaf and coffee cherry design, Safety-Fresh, savemycoffee.com, Scale-Pro, Silver Series, Single, Smart Funnel, Smart Hopper, SmartWAVE, Soft Heat, SplashGard, The Mark of Quality in Beverage Equipment Worldwide, ThermoFresh, Titan, trifacta, TRIFECTA (stylized logo), Velocity Brew, Air Brew, Beverage Bar Creator, Beverage Profit Calculator, Brew better, not bitter., Build-A-Drink, BUNNSource, Coffee At Its Best, Cyclonic Heating System, Daypart, Digital Brewer Control, Element, Milk Texturing Fusion, Nothing Brews Like a BUNN, Picture Prompted Cleaning, Pouring Profits, Signature Series, Sure Tamp, Tea At Its Best, The Horizontal Red Line, Ultra are either trademarks or registered trademarks of Bunn-O-Matic Corporation. The commercial trifacta® brewer housing configuration is a trademark of Bunn-O-Matic Corporation.

TABLE OF CONTENTS

Hood, Trunk, Base and Panels.....	4
Tank and Components.....	6
Dispense Valve and Sprayhead	8
Fill, Dilution & Tank Drain.....	10
Sweetener	12
Electrical and Operating Controls.....	14
Funnels	16
Numerical Index.....	18

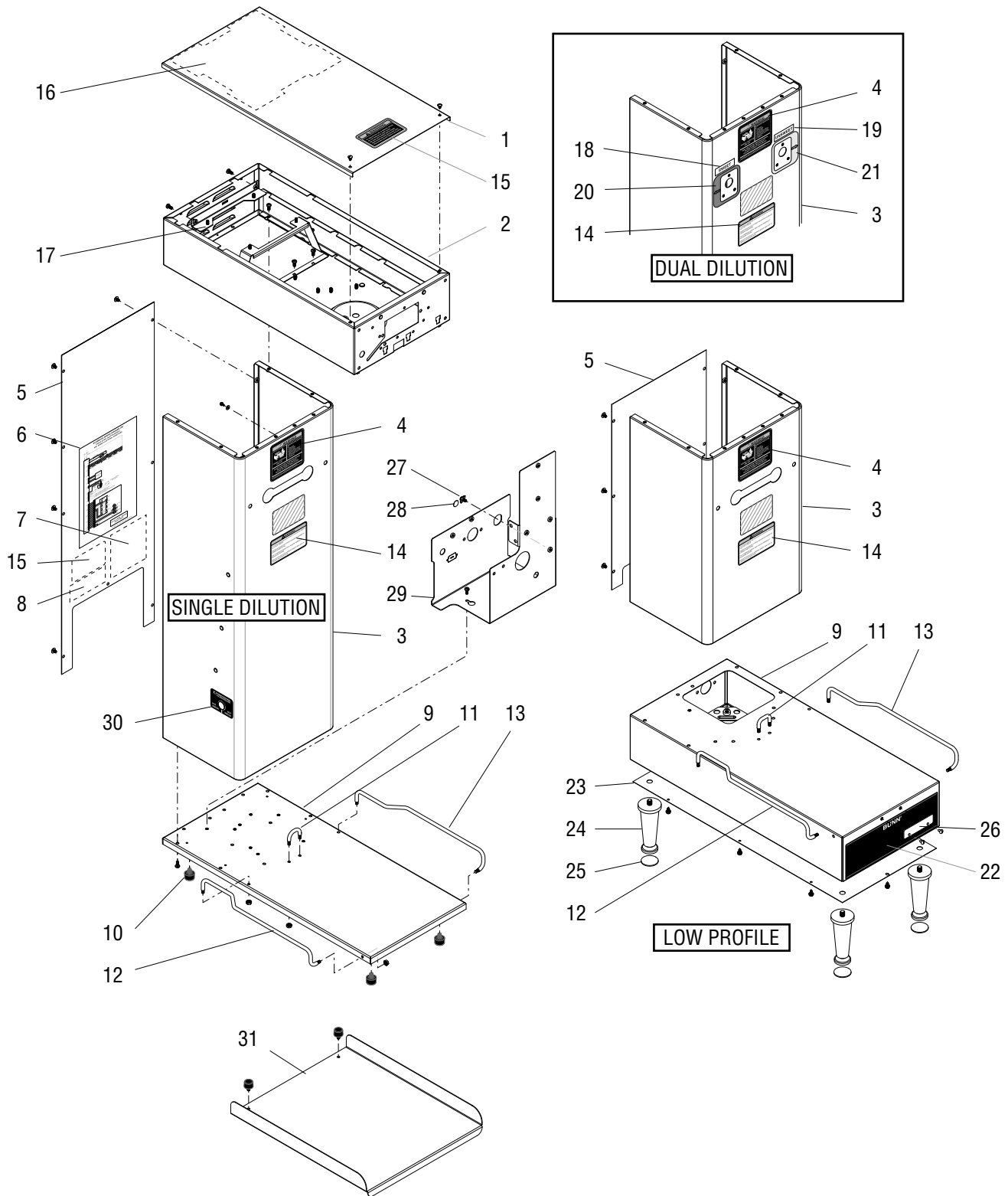
To order coffee filters, water filters, or other accessories, refer to Specification Sheets at www.bunn.com

Fraction	Decimal		Fraction	Decimal
1/16	0.063		9/16	0.563
1/8	0.125		5/8	0.625
3/16	0.188		11/16	0.688
1/4	0.250		3/4	0.750
5/16	0.313		13/16	0.813
3/8	0.375		7/8	0.875
7/16	0.438		15/16	0.938
1/2	0.500		1	1.000



HOOD, TRUNK, BASE AND PANEL

ITB SERIES



HOOD, TRUNK, BASE AND PANEL

ITEM	PART NO.	QTY.	DESCRIPTION
1	36355.1006	1	Cover, Top (Includes items 24 & 25) (1 Screw)
	36355.1010	1	Cover, Top (Includes items 24 & 25) (2 Screws) (Shown)
	01308.0000	1	Screw, Truss Head #6-32 x .25"
2	36354.0010	1	Hood (ITB & ITB-LP Only)
	36354.0005	1	Hood (Dual Dilution Models Only)
	02308.0000	8	Screw, Pan Head #8-32 x .38"
3	38580.1015	1	Trunk w/Decals 29" Single Dilution (Includes items 4, 14 & 30)
	36353.0029*	1	Trunk w/Decals 29" Dual Dilution (Not available)
	36594.0003	1	Trunk SST (Low Profile Models) (Includes items 4 & 14)
	36353.1030	1	Trunk, Dual Dilution w/Decals 28.8" (Includes items 9, 10, 23, & 26)
	02308.0000	6	Screw, Pan Head #8-32 x .38"
4	00658.0000	1	Decal, Warning - Decanter/Funnel
5	36356.1206	1	Panel w/Decals 29.0" SST (7 mtg. hole) (Includes items 14,15 & 24)
	36997.1001	1	Panel, Back (Low Profile models w/o triacs)
	36997.1003	1	Panel, Back (Low Profile models with triacs)
	01311.0001	7	Screw, Truss Head #8-32 x .25" (1 less used on Low Profile)
6	42377.0000	1	Schematic, ITB (Early Models)
	48835.0000	1	Schematic, ITB (Triac Models)
	48835.0002	1	Schematic, ITB (Triac Models) Dual Dilution/Sweetener
7	00986.0000	1	Decal, Warning - Electrical
8	00656.0001	1	Decal, Comply to Plumbing Code
9	36362.0005	1	Base (Standard Models)
	36923.0003	1	Base (Low Profile models w/o triacs)
	36923.0005	1	Base (Low Profile models with triacs)
10	25137.0001	4	Foot
	24600.0000	-	Foot Kit, Set of 4
11	36412.0000	1	Rail, Stop
	00991.0000	2	Nut, Keps #8-32
12	36461.0000	1	Guide Rail, Left
	00991.0000	2	Nut, Elastic Lock #8-32
13	36462.0000	1	Guide Rail, Right
	00991.0000	2	Nut, Elastic Lock #8-32
14	39175.0000	1	Decal, Warning Overlay Graphic
15	37881.0000	2	Decal, No Serviceable Parts
16	25151.0002	1	Shield, Insulator

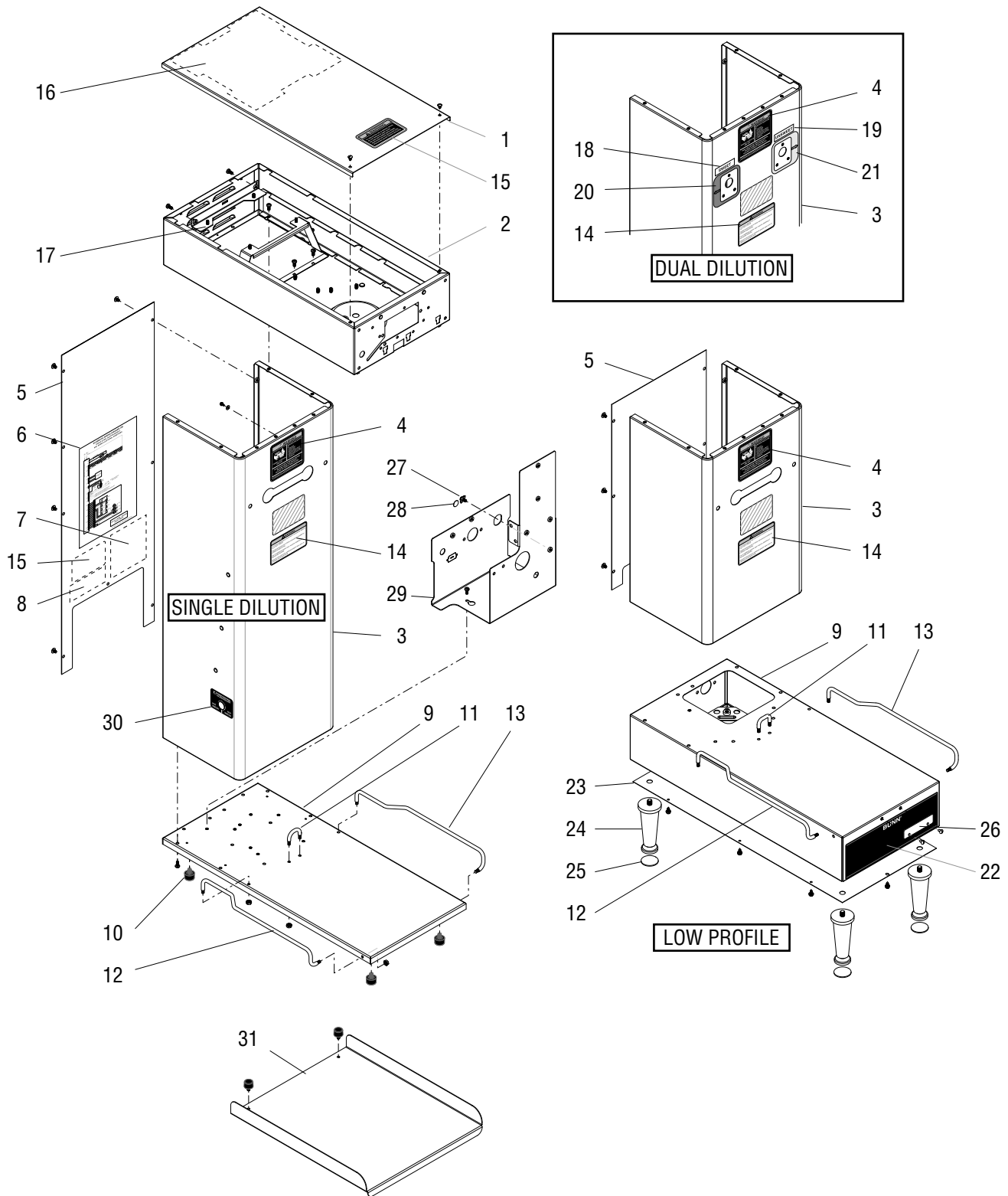
CONTINUED

* Indicates the part number listed is for reference only.



HOOD, TRUNK, BASE AND PANEL

ITB SERIES



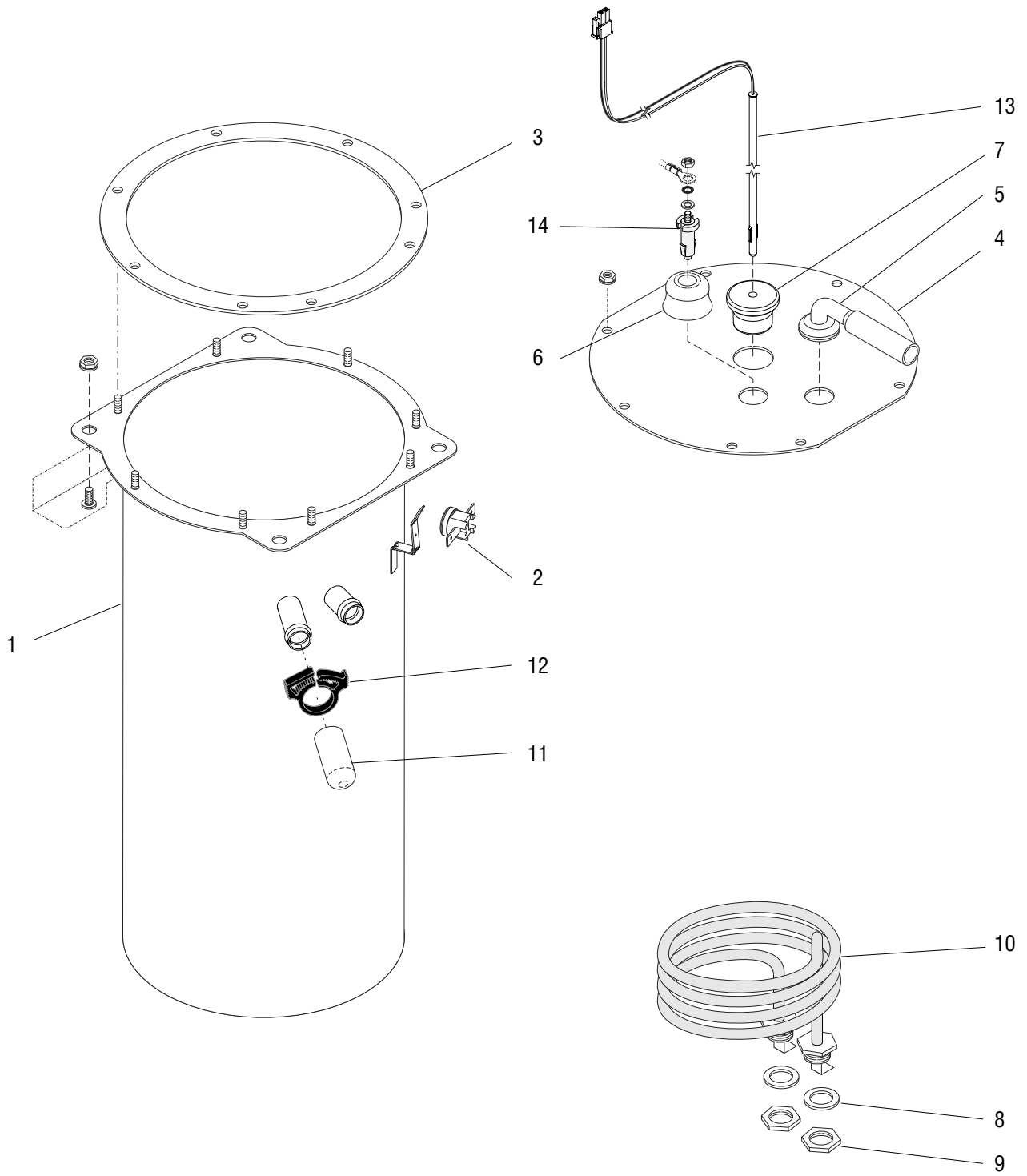
HOOD, TRUNK, BASE AND PANEL

ITEM	PART NO.	QTY.	DESCRIPTION
17	34118.0001	1	Bracket, Tank Support
	01317.0003	2	Screw, Truss Head #8-32 x .375"
18	38589.0000	1	Decal, Sweet
19	38589.0001	1	Decal, Unsweet
20	41948.0002	1	Decal, Nozzle Left
21	41948.0003	1	Decal, Nozzle Right
22	37573.0000	1	Decal, Decorative
23	36877.0001	1	Panel, Bottom
	02332.0002	8	Screw, Hex #6 x .375"
24	26528.0001	4	Leg, 4.0" Adjustable
25	03996.0000	4	Pad, Non-Skid
26	37538.0001	1	Stop, Dispenser Front
	01311.0001	2	Screw, Truss Head #6-32 x .25"
27	37804.0000	1	Screw, Ground
28	00824.0002	1	Decal, Ground
29	47898.1003	1	Bracket w/Decals (Early models w/o triacs)
	02308.0000	2	Screw, Pan Head #8-32 x .38"
30	29007.0005	2	Decal, Hot Water
31	41488.0001	1	Kit, Base Cover
	25137.0002	2	Foot
	01315.0000	2	Screw, Truss Head #8-32 x .375"
	00970.0000	4	Nut, Keps #8-32



TANK & COMPONENTS

ITB SERIES



P2888

TANK & COMPONENTS

ITEM	PART NO.	QTY.	DESCRIPTION
1	33937.0003	1	Tank
	00908.0000	4	Nut, Hex #8-32
2	29329.1000	1	Limit Thermostat
3	04221.0000	1	Gasket
4	28735.0000	1	Lid
	00908.0000	8	Nut, Hex #8-32
5	38969.0003	1	Fitting, 90° Silicone
6	38114.0000	1	Grommet, Liquid Level Probe
7	33801.0003	1	Grommet, Temp. Sensor
8	00943.0000	2	Gasket
9	00942.0000	2	Nut, Hex .50"-20
10	02755.1002	1	Tank Heater 1680W (Includes item 12)
11	29279.0000	1	Cap, Tube-Silicone
12	12422.0005	1	Clamp, Hose SNP-12
13	39085.1001	1	Probe Kit, Temperature and Dry Plug
14	07412.1002	1	Probe, Liquid Level
	01501.0000	1	Washer
	20203.0100	1	Lockwasher, Internal-tooth #8
	00908.0000	1	Nut, Hex #8-32

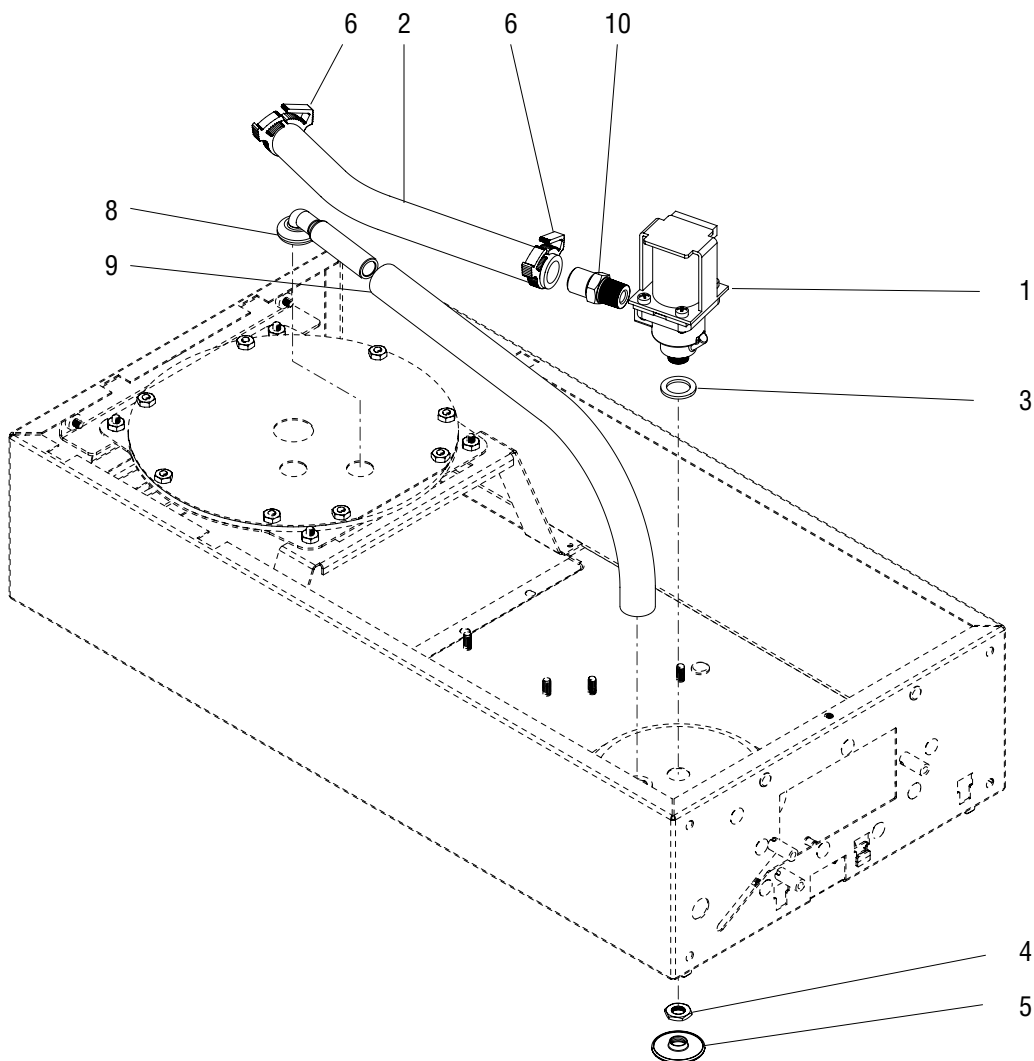
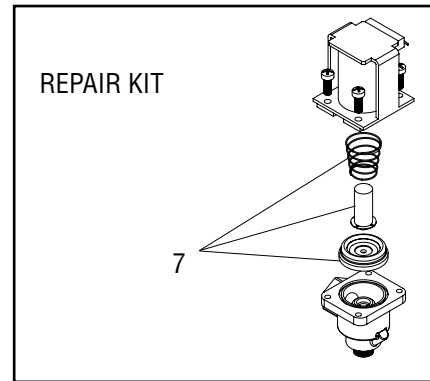
The following items are not illustrated

15	34074.1030	1	Tank Assy (Includes items 1-14)
----	------------	---	---------------------------------



DISPENSE VALVE & SPRAYHEAD

ITB SERIES



P2889

DISPENSE VALVE & SPRAYHEAD

ITEM	PART NO.	QTY.	DESCRIPTION
1	26846.0000	1	Valve, Dispense (120V)
2		1	Tube .50" ID x 7.88" (Order # 9)
3	00943.0000	1	Gasket, Sprayhead Fitting
4	01075.0000	1	Nut, Hex .438"-20
5	01082.0000	1	Sprayhead, 6 Hole
6	12422.0009	2	Clamp, SNP-14
7	11517.0008	1	Repair Kit, Dispense Valve (Includes Plunger, Spring and Diaphragm)
8	38969.0003	1	Fitting, 90° Silicone
9	32591.1001	1	Tube .50" ID x 12.0"
10	34956.0004	1	Fitting

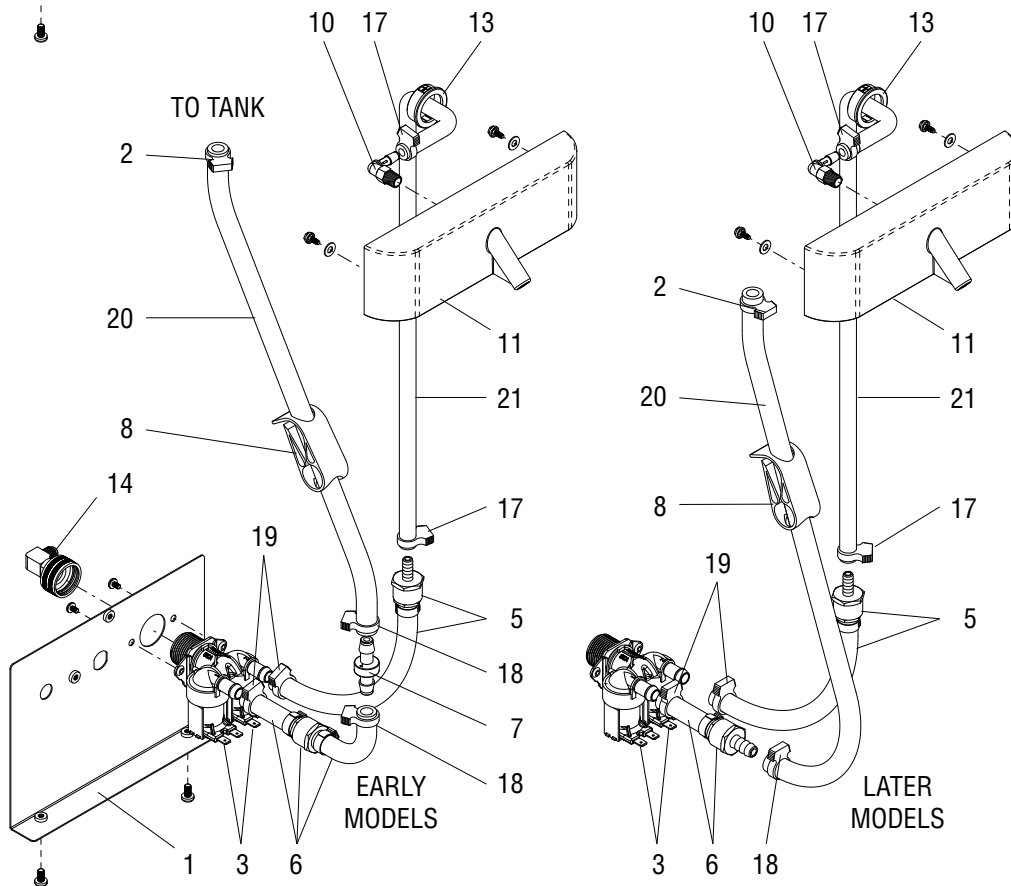
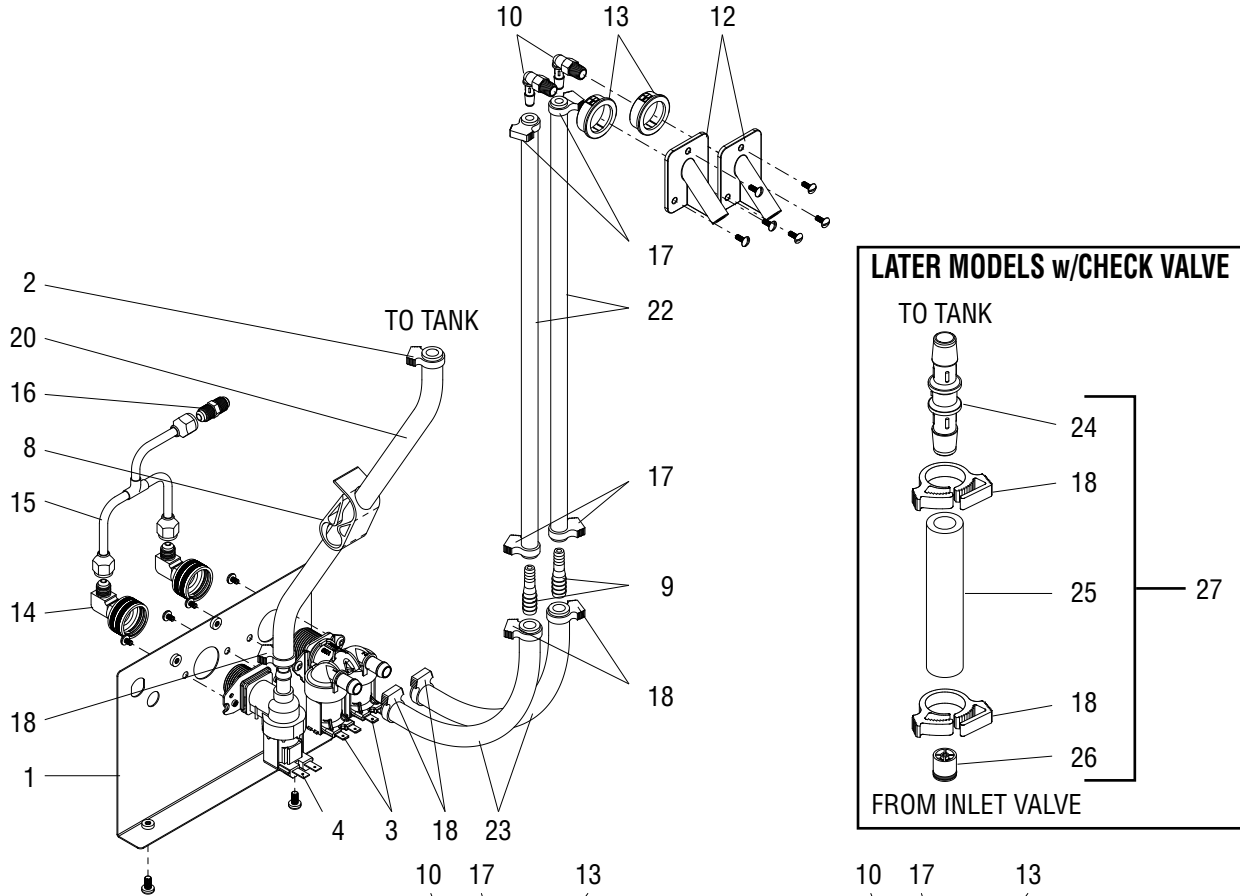
The following items are not illustrated

11	32591.1002	-	Tube .50" ID x 3 Feet
	32591.1003	-	Tube .50" ID x 10 Feet
	32591.1004	-	Tube .50" ID x 250 Feet



FILL, DRAIN, & DILUTION

ITB SERIES



P4172.50

FILL, SINGLE DILUTION & DRAIN

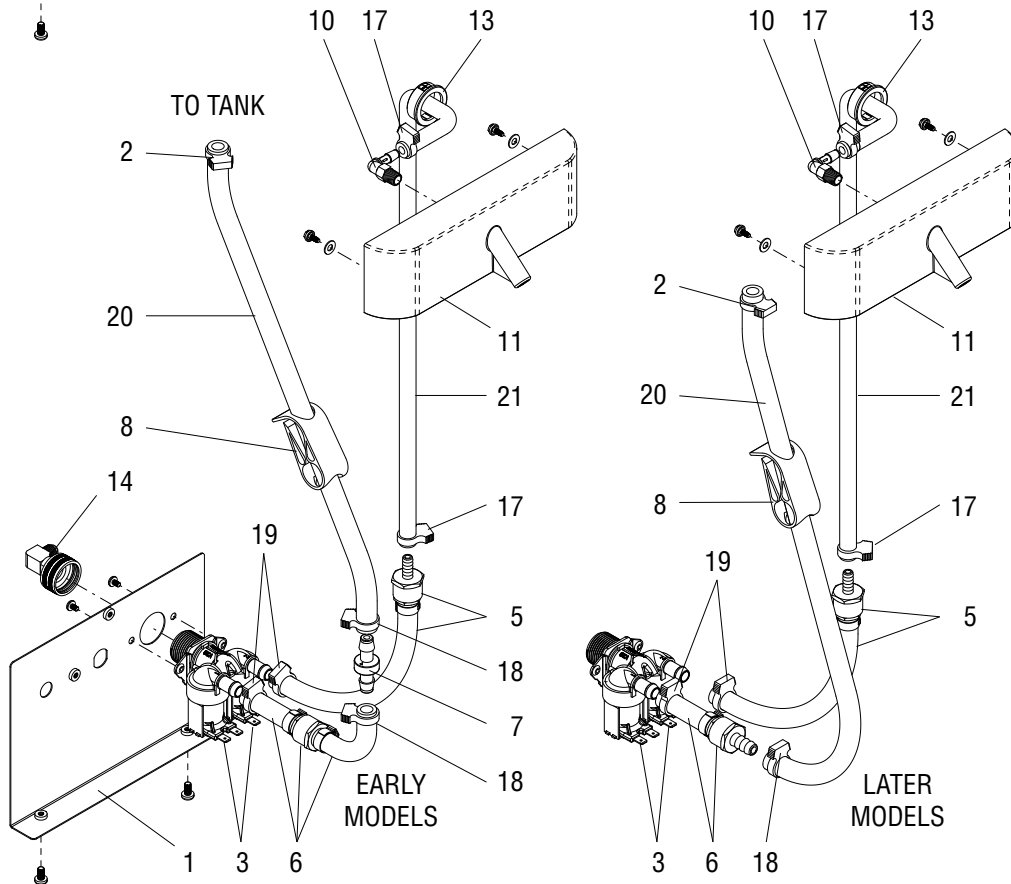
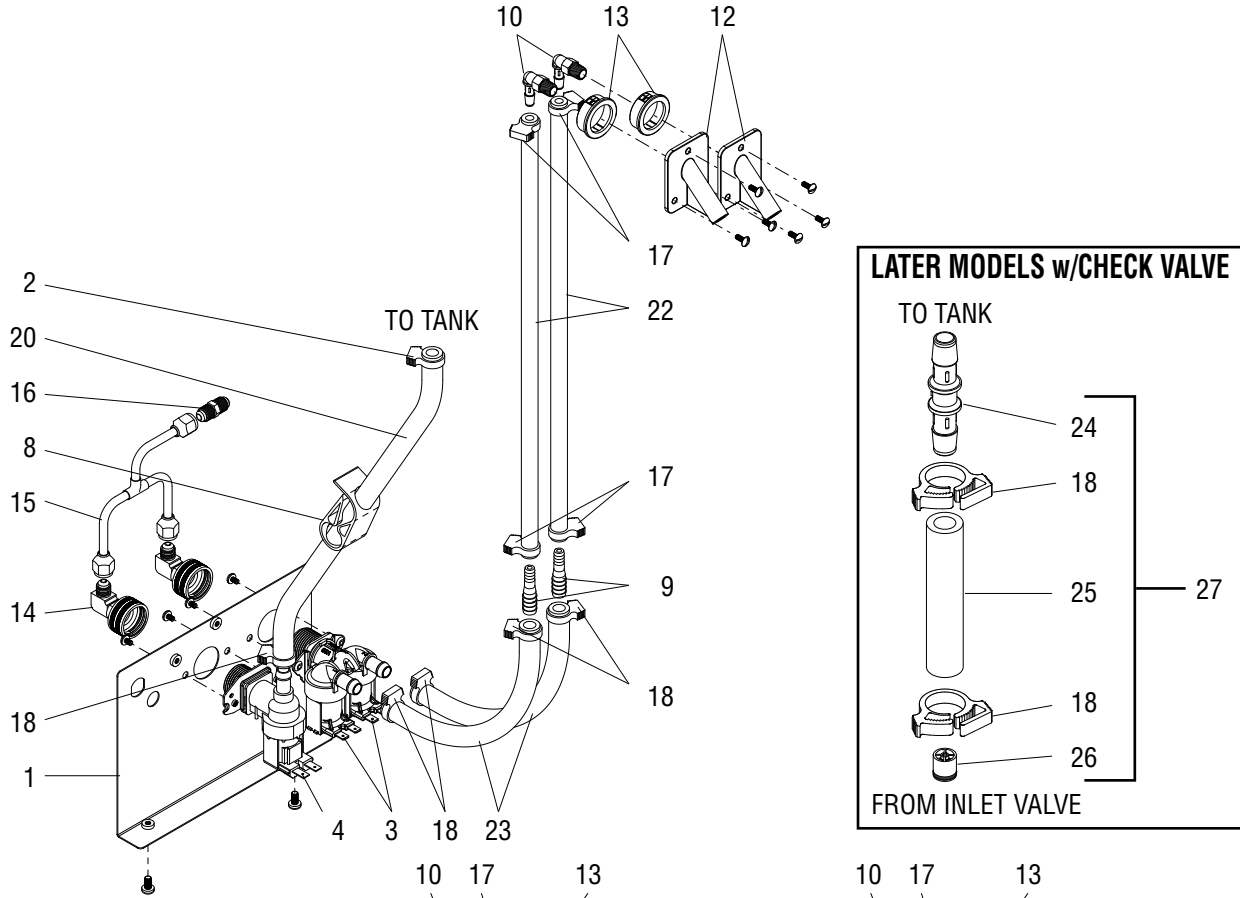
ITEM	PART NO.	QTY.	DESCRIPTION
1	36421.0006	1	Bracket, Single Dilution
	36421.0009	1	Bracket, Dual Dilution
	36421.0013	1	Bracket w/Decals (Low Profile models w/triacs)
	02308.0000	2	Screw, Pan Head #8-32 x .375"
2	12422.0006	1	Clamp, Hose-Snap SNP-8
3	43041.0000	1	Kit, Valve 120V
	43235.0004	1	Kit, Valve 230V
	32283.0000	2	Screw, SST Slotted Panhead M4 X 6mm
	46884.0000	1	Strainer, Inlet
4	42025.0000	1	Kit, Valve 120V
	40506.0020	1	Kit, Valve 230V
	32283.0000	2	Screw, SST Slotted Panhead M4 X 6mm
	46884.0000	1	Strainer, Inlet
5	41665.0000	1	Tube Assy, Flow Control (Dilution)
6	41666.0000	1	Tube Assy, Flow Control (Fill) (Early Models)
	41666.0001	1	Tube Assy, Flow Control (Fill) (Late Models)
7	33027.0001	1	Check Valve, .375 Nylon (Early Models)
8	11630.0001	1	Clamp, Tubing Shut Off
9	26443.0000	2	Reducer
10	40783.0001	2	Elbow, 1/8-27 Npt To 1/4" Barb (Also included w/dilution nozzle) (Non Sweetener)
11	36360.1001	1	Kit, Dilution Nozzle w/Elbow (Non Sweetener Models)
	36360.1002	1	Kit, Dilution Nozzle w/Tee (Sweetener Models)
	02332.0005	2	Screw, Hex #6 x .38"
	28614.0000	2	Washer
12	03717.0000	2	Dilution Nozzle
	01382.0002	6	Screw, TRH #6-32 x .38"
13	01592.0001	2	Bushing 1.188" (1 less used on Single Dilution)
14	37297.1006	1	Elbow, .25 FLR X .75 Hose THD
15	41969.0000	1	Tube Assembly
16	00436.0001	1	Union, .25" Flare
17	12422.0000	2/4	Clamp, Hose-Snap SNP-6
18	12422.0001	3/6	Clamp, Hose-Snap SNP-10
19	12422.0005	2	Clamp, Hose-Snap SNP-12

CONTINUED



FILL, DRAIN, & DILUTION

ITB SERIES



P4172.50

FILL, SINGLE DILUTION & DRAIN

ITEM	PART NO.	QTY.	DESCRIPTION	
20		1	Tube, Silicone 3/8" ID X 16.0 LG (All Early Models)	(Order # 29)
		1	Tube, Silicone 3/8" ID X 19.0 LG (All Late Models)	(Order # 29)
21		1	Tube, Silicone 1/4" ID X 19.0 LG (29" Trunk)	(Order # 28)
		1	Tube, Silicone 1/4" ID X 10.5 LG (Low Profile)	(Order # 28)
22		1	Tube, Silicone 1/4" ID X 18.0 LG (29" Trunk) 1 Less Used on Sweetener	
23		1	Tube, Silicone 3/8" ID X 5.0 LG (29" Trunk)	(Order # 29)
24	45313.0000	1	Connector, Union 3/8" x 3/8"	
25		1	Tube, Silicone 3/8" ID x 3.0" (Order # 27 or 29)	
26	36378.0001	1	Check Valve	
27	46028.0000	1	Kit, Check Valve	

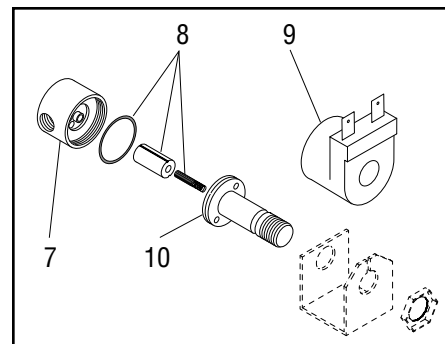
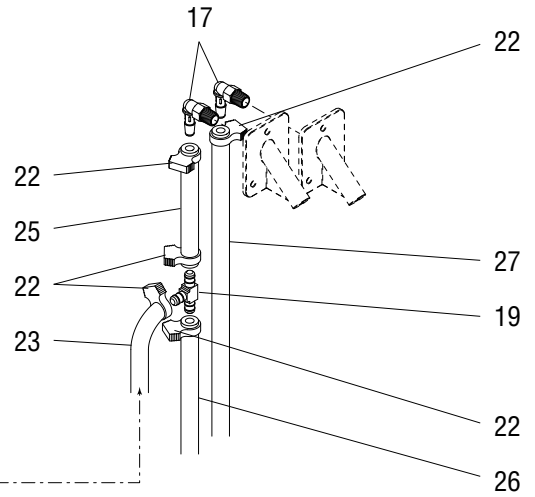
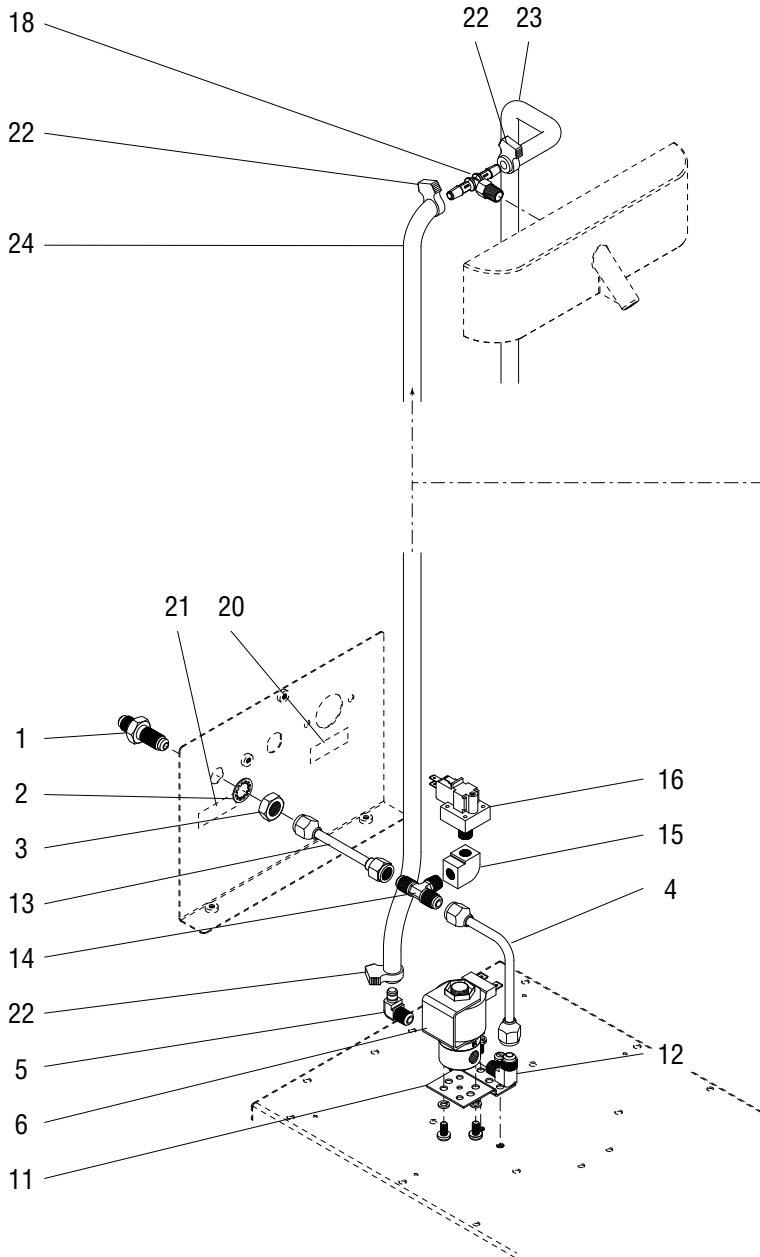
The following items are not illustrated

28	11707.1000	-	Tube, Silicone 1/4" x 1 Foot
	11707.1001	-	Tube, Silicone 1/4" x 3 Feet
	11707.1002	-	Tube, Silicone 1/4" x 10 Feet
	11707.1004	-	Tube, Silicone 1/4" x 250 Feet
29	20976.1000	-	Tube, Silicone 3/8" x 1 Foot
	20976.1001	-	Tube, Silicone 3/8" x 3 Feet
	20976.1002	-	Tube, Silicone 3/8" x 10 Feet
	20976.1004	-	Tube, Silicone 3/8" x 250 Feet



MODELS w/ SWEETENER

ITB SERIES



P4173.60

MODELS w/ SWEETENER

ITEM	PART NO.	QTY.	DESCRIPTION
1	00459.0000	1	Fitting, Bulkhead .250" Flare
2	01532.0000	1	Lockwasher, Internal Tooth .438"
3	00463.0000	1	Nut, Hex - Brass .438"-20
4	21814.0034	1	Tube Assy,
5	00464.0001	1	Elbow, Male-Tnpl.25 Barbx.
6	01085.0000	2	Solenoid Valve, 120V (Includes items 11 - 14)
	01327.0000	4	Screw, Pan Head #10-32 x .375"
	01502.0000	4	Lockwasher, Split #10
7	01079.0000	1	Solenoid Valve Base
8	01111.0000	1	Solenoid Valve Repair Kit
9	01101.0000	1	Solenoid Valve Coil, 120V
10	01116.0000	1	Guide
11	07441.0000	2	Bracket
	01315.0000	4	Screw, Truss Head #8-32 x .38"
12	00400.0001	1	Elbow .25" Flare x .125"MPT
13	38949.0000	1	Tube Assy.
14	00431.0001	1	Tee, Male Br-Tn Pl.25flrx
15	00435.0001	1	Elbow, Tin Pld .125npt F
16	38379.1000	1	Switch, Pressure-Low Product
17	40783.0001	1	Elbow (Also included w/dilution nozzle)
18	40784.0000	1	Tee (Also included w/dilution nozzle)
19	22150.0001	1	Tee
20	26371.0000	1	Decal, Water
21	26371.0001	1	Decal, Sweetener
22	12422.0000	3	Clamp, Hose - SNP 6 (3 Addl used on Dual Dil)
23		1	Tube, Silicone .250" I.D. x 19.0" LG (Order # 28)
24		1	Tube, Silicone .250" I.D. x 28.0" LG (Order # 28)
25		1	Tube, Silicone .250" I.D. x 4.0" LG (Order # 28)
26		1	Tube, Silicone .250" I.D. x 13.1" LG (Order # 28)
27		1	Tube, Silicone .250" I.D. x 18.0" LG (Order # 28)

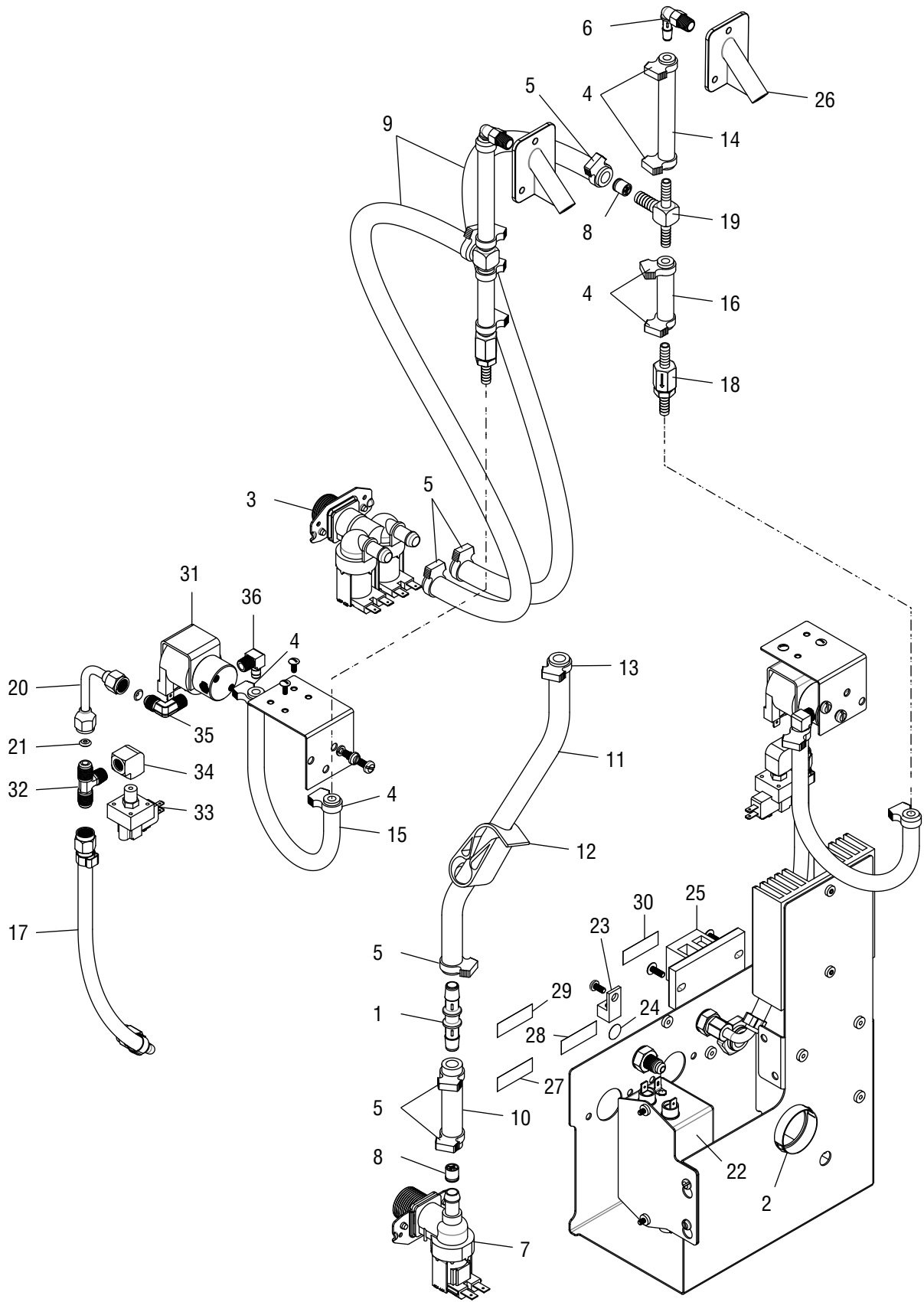
The following items are not illustrated

28	11707.1000	-	Tube, Silicone .250" I.D. x .50" O.D. x 1 Foot
	11707.1001	-	Tube, Silicone .250" I.D. x .50" O.D. x 3 Feet
	11707.1002	-	Tube, Silicone .250" I.D. x .50" O.D. x 10 Feet
	11707.1004	-	Tube, Silicone .250" I.D. x .50" O.D. x 250 Feet



MODELS w/DUAL DILUTION/SWEETENER

ITB
SERIES



MODELS w/DUAL DILUTION/SWEETENER

ITEM	PART NO.	QTY.	DESCRIPTION	
1	45313.0000	1	Connector, Union 3/8" X 3/8" - Kynar	
2	01593.0000	1	Bushing, Snap-1 1/2" Dia Mtg HI	
3	43235.0004	1	Valve Assy, Deltrol 230V .5Gpm	
	32283.0000	2	Screw, Sst Sltd Pnh M4 X 6Mm	
4	12422.0000	12	Clamp, Hose-Snap Snp-6	
5	12422.0001	7	Clamp, Hose-Snap Snp-10	
6	40783.0001	2	Elbow Assy, Tb/ltb/ltcb	
7	40506.0020	1	Valve Assy, W/.50Gpm Flow 230V	
	32283.0000	2	Screw, Sst Sltd Pnh M4 X 6Mm	
8	36378.0001	3	Valve, Check 2 1/2 Psi	
9		2	Tube, Silicone 3/8" x 25 1/2"	} Order Item # 38
10		1	Tube, Silicone 3/8" x 3"	
11		1	Tube, Silicone 3/8" x 16"	
12	11630.0001	1	Clamp, Tubing Shut Off .75 Od	
13	12422.0006	1	Clamp, Hose SNP-8	
14		2	Tube, Silicone 1/4" X 4"	} Order Item # 37
15		2	Tube, Silicone 1/4" X 9 1/2"	
16		2	Tube, Silicone-1/4" X 2 3/8"	
17	52008.0000	2	Tube Assembly	
18	40071.0007	2	Check Valve, SST. 1/4" Barb	
19	50058.0000	2	Tee, SST Barb 3/8"-1/4"-1/4"	
20	00310.0016	2	Tube Assembly	
21	24684.0000	4	Gasket, 1/4" Flare Copper	
22	50159.0000	1	Emi Filter, 20Amp	
	01347.0000	2	Screw, TRH SERR SST 6-32 x 3/8"	
23	27705.0000	1	Terminal Lug, #4-14Awg (CE)	
	02308.0000	2	Screw, Pnh Sltd W/Serr 8-32 x 3/8"	
24	00824.0001	1	Decal, Equipotentiality (CE)	
25	01106.0003	1	Terminal Block, 2 Pole Blu/Brn (CE)	
	01317.0000	2	Screw, Trh Sltd Sst 8-32 x 1/2"	
26	03717.0000	2	Nozzle, Dilution	
	01382.0000	6	Screw, Trh Sltd Sst 6-32 x 3/8"	
27	26371.0005	1	Decal, Tank Fill Inlet	
28	26371.0004	1	Decal, Dilution Inlet	
29	26371.0002	1	Decal, Bib 1 Inlet	
30	26371.0003	1	Decal, Bib 2 Inlet	

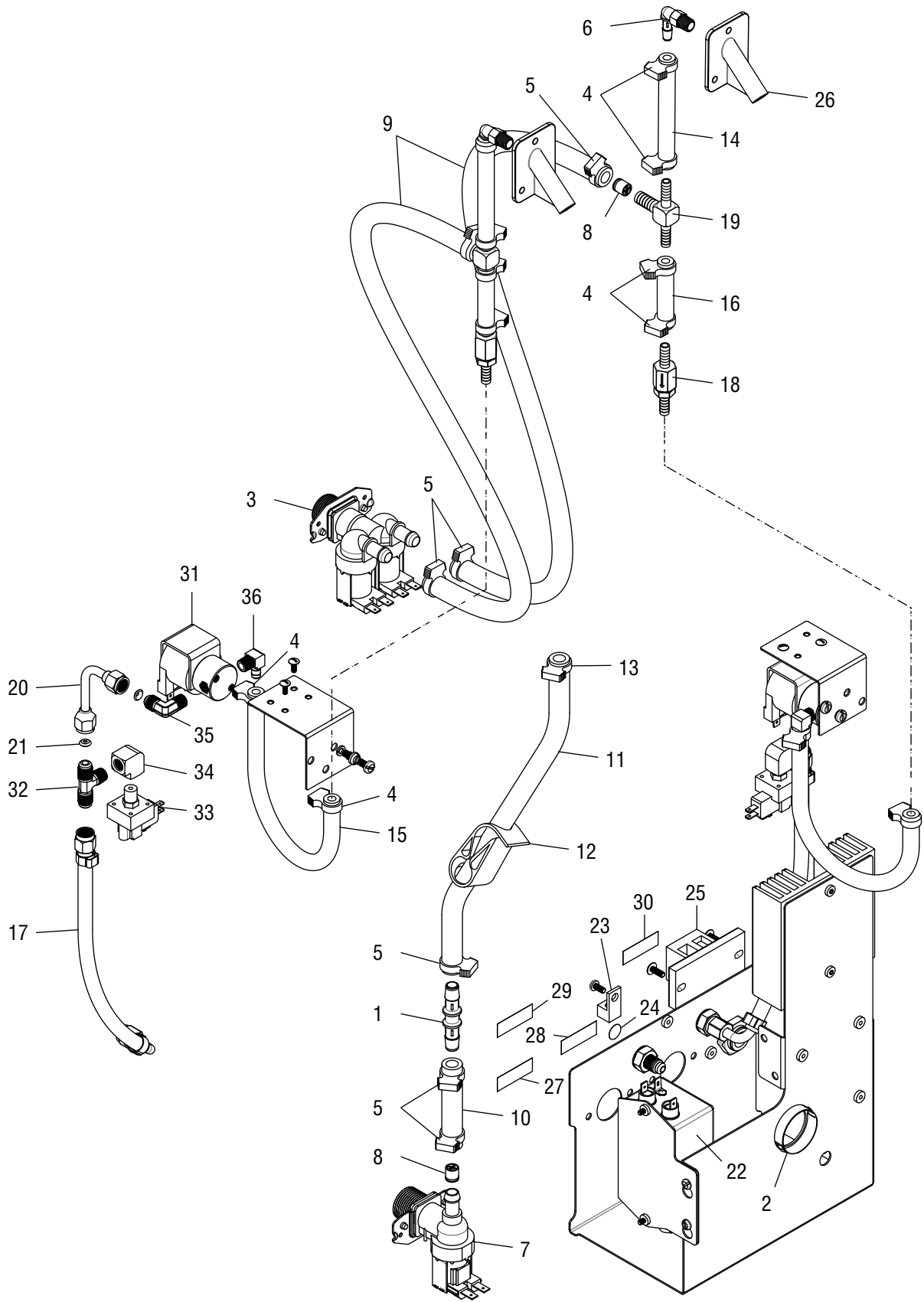
CONTINUED

* Indicates the part number listed is for reference only.



MODELS w/DUAL DILUTION/SWEETENER

ITB
SERIES

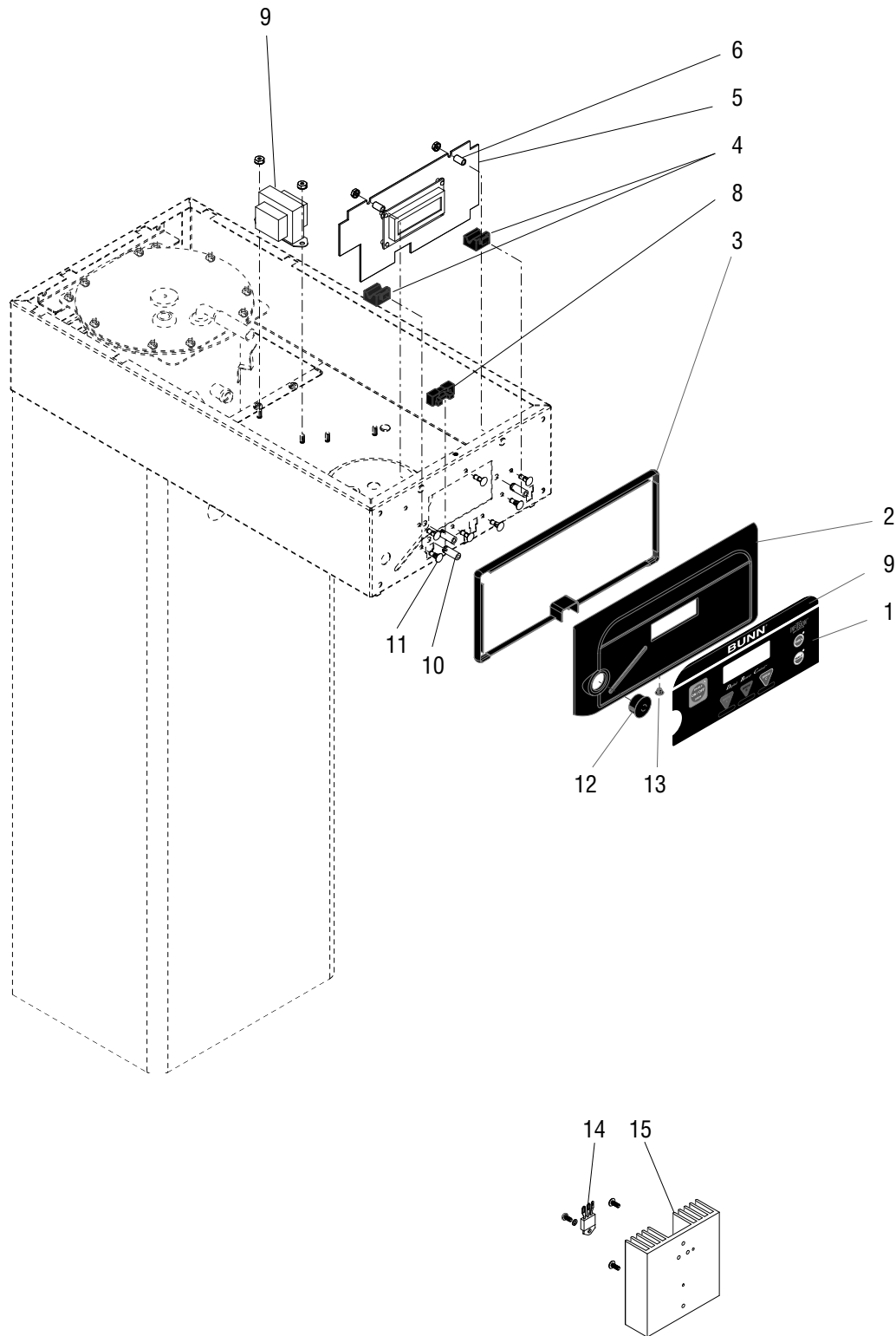


MODELS w/DUAL DILUTION/SWEETENER

ITEM	PART NO.	QTY.	DESCRIPTION
31	01975.0000	2	Valve, Solenoid 240Vac
	01327.0000	4	Screw, Pnh Sltd Sst 10-32X.375"
	01502.0000	4	Lock Washer, Split-#10 Sst
32	00431.0001	2	Tee
33	38379.0002	2	Switch, Pressure
34	00435.0001	2	Elbow
35	00400.0002	2	Elbow
36	00464.0001	2	Elbow

The following items are not illustrated

37	11707.1000	-	Tube, Silicone 1/4" I.D. x 1 Foot
	11707.1001	-	Tube, Silicone 1/4" I.D. x 3 Feet
	11707.1002	-	Tube, Silicone 1/4" I.D. x 10 Feet
	11707.1004	-	Tube, Silicone 1/4" I.D. x 250 Feet
38	20976.1000	-	Tube, Silicone 3/8" I.D. x 1 Foot
	20976.1001	-	Tube, Silicone 3/8" I.D. x 3 Feet
	20976.1002	-	Tube, Silicone 3/8" I.D. x 10 Feet
	20976.1004	-	Tube, Silicone 3/8" I.D. x 250 Feet



ELECTRICAL & OPERATING CONTROLS

ITEM	PART NO.	QTY.	DESCRIPTION
1	42005.0000	1	Membrane Switch
2	36359.0004	1	Bezel
	02308.0000	4	Screw, Pan Head #8-32 x .38"
	01502.0000	4	Lock Washer
3	36364.0000	1	Gasket
4	36366.0000	2	Mount, Board
5	41849.1004	1	Control Board (RoHS) All early 120V Models with out Triac
	45787.1040	1	Control Board (RoHS) For Models w/Triacs (Dual Dil & Dual Sweet.) 230V CE
	45787.1048	1	Control Board (RoHS) For all other Models w/Triacs 120V
	45787.1058	1	Control Board (RoHS) For Models w/Triacs (Dual Dil/Dual Sweet. ONLY) 120V
	00973.0000	2	Nut, Keps #6-32
	48443.0000	1	Retrofit Kit CBA (Includes CBA, bracket, triac, heatsink & instructions) Early models
6	01533.0011	2	Spacer
7	34307.1001	1	Transformer
	00970.0000	2	Nut, Keps #8-32
8	36587.0000	1	Plug, Bezel
9	36368.0000	1	Decal, Top
10	29081.0004	3	Spacer
11	42234.0000	7	Standoff
12	00668.0000	1	Hole Plug .750" (Early Models)
	00669.0006	1	Hole Plug .812" (Late Models)
13	20621.0000	1	Hole Plug
14	12565.0034	1	Triac
	02328.0003	1	Screw, 6-32 x .312"
	01520.0000	1	Lockwasher
	M2522.1000	-	Heat Sink Compound, 5oz Tube
15	20541.0001	1	Heatsink
	01382.0007	2	Screws, 6-32 x .375"

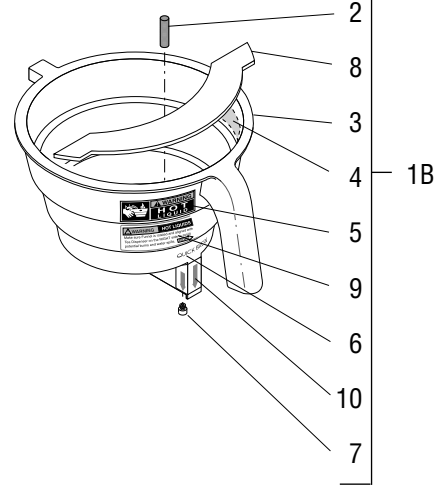
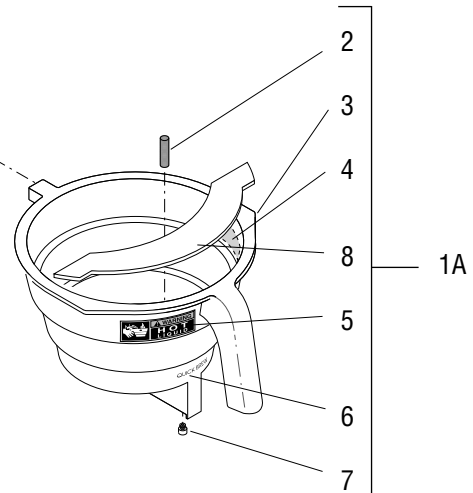
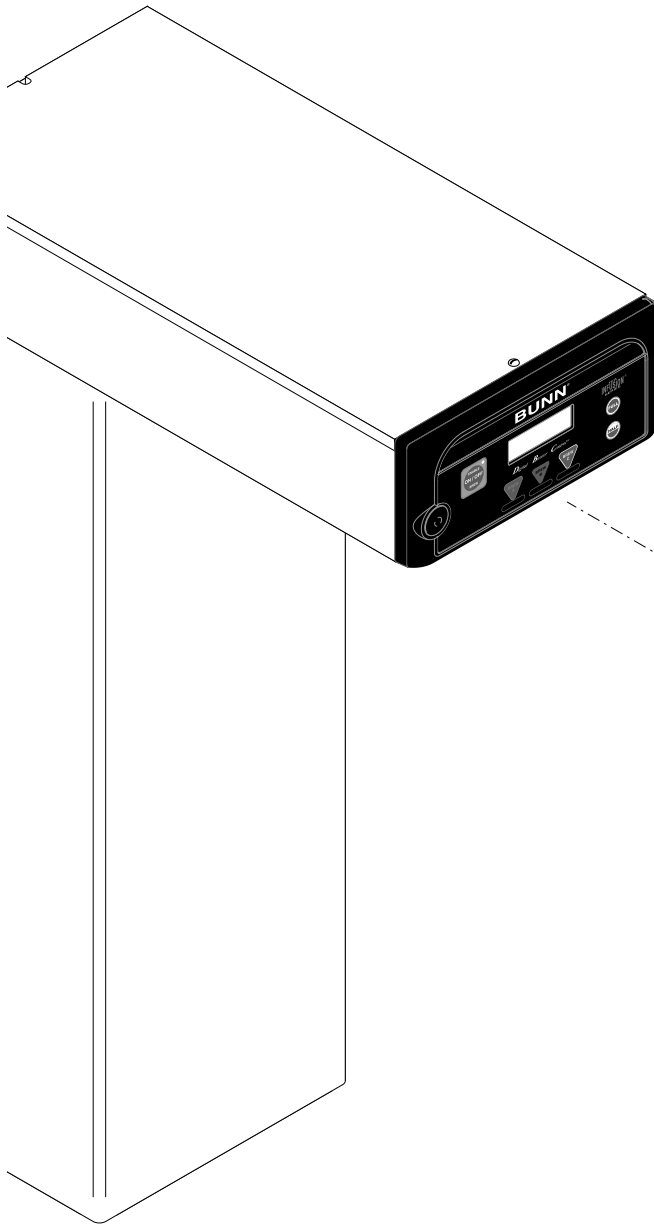
The following items are not illustrated

16	42287.0000	1	Wiring Harness, Main (ITB 120V)
	48823.0007	1	Wiring Harness, Main (ITB 120V) For Models w/Triacs
	42287.0001	1	Wiring Harness, Main (ITB w/Sweetener 120V)
	48823.0003	1	Wiring Harness, Main (ITB w/Sweetener 120V) For Models w/Triacs
	48823.0006	1	Wiring Harness, Main (ITB w/Sweetener & Dual Dilution 120V) For Models w/Triacs
	42287.0002	1	Wiring Harness, Main (ITB Dual Dilution 120V)
	42287.0003	1	Wiring Harness, Main (ITB Dual Dilution w/Sweetener 120V)
	42287.0004	1	Wiring Harness, Main (ITB-LP 120V)
17	01637.0000	1	Cord, Power
18	00707.0000	1	Bushing, Strain Relief



FUNNELS

ITB SERIES



FUNNELS

ITEM	PART NO.	QTY.	DESCRIPTION
1	A 03021.0004	1	Funnel Assembly, Smoke (Includes items 2 thru 8) (ITB)
	B 03021.0013	1	Funnel Assembly, Smoke (Includes items 2 thru 8) (Dual Dilution)
2	03284.0000	1	Adaptor W/Screen, Funnel
3		1	Funnel, Brew Tea - Smoke (ITB) (Not Available. Order item 1)
		1	Funnel, Brew Tea - Smoke (Dual Dil.) (Not Available. Order item 1)
4	03408.0000	1	Decal, Caution - Remove Funnel
5	03409.0000	1	Decal, Caution - Hot Liquid
6	03536.0000	1	Decal, Quick Brew
7	03407.0000	1	Funnel Tip, .082" Dia STANDARD BREW (See item 11)
	03407.0002	1	Funnel Tip, .114" Dia QUICK BREW (See Item 11)
8	32965.0003	1	Splashgard
9	41995.0000	1	Decal, Warning Rotate Funnel (Dual Dil.)
10	41996.0000	1	Decal, Funnel Dispense Tip Locator (Dual Dil.)

The following items are not illustrated

11	01037.0002	-	Funnel Tip & Screen Kit .082" Dia STANDARD BREW (Includes items 2 & 7)
	01037.0003	-	Funnel Tip & Screen Kit .114" Dia QUICK BREW (Includes items 2 & 7)

NUMERICAL INDEX

PART NO.	PAGE NO.	PART NO.	PAGE NO.	PART NO.	PAGE NO.	PART NO.	PAGE NO.
00310.0016.....	19	01532.0000.....	17	25151.0002.....	5	36923.0003.....	5
00400.0001.....	17	01533.0011.....	23	26371.0000.....	17	36923.0005.....	5
00400.0002.....	21	01592.0001.....	13	26371.0001.....	17	36997.1001.....	5
00431.0001.....	17	01593.0000.....	19	26371.0002.....	19	36997.1003.....	5
00436.0001.....	13	01637.0000.....	23	26371.0003.....	19	37297.1006.....	13
00431.0001.....	21	01975.0000.....	21	26371.0004.....	19	37538.0001.....	7
00435.0001.....	17	02308.0000.....	5	26371.0005.....	19	37573.0000.....	7
00435.0001.....	21	02308.0000.....	5	26443.0000.....	13	37804.0000.....	7
00459.0000.....	17	02308.0000.....	7	26528.0001.....	7	37881.0000.....	5
00463.0000.....	17	02308.0000.....	13	26846.0000.....	11	38114.0000.....	9
00464.0001.....	17	02308.0000.....	19	27705.0000.....	19	38379.1000.....	17
00464.0001.....	21	02308.0000.....	23	28614.0000.....	13	38379.0002.....	21
00656.0001.....	5	02332.0002.....	7	28735.0000.....	9	38580.1015.....	5
00658.0000.....	5	02332.0005.....	13	29007.0005.....	7	38589.0000.....	7
00668.0000.....	23	02328.0003.....	23	29081.0004.....	23	38589.0001.....	7
00669.0006.....	23	02755.1002.....	9	29279.0000.....	9	38949.0000.....	17
00707.0000.....	23	03021.0004.....	25	29329.1000.....	9	38969.0003.....	9,11
00824.0002.....	7	03021.0013.....	25	32283.0000.....	13,19	39085.1001.....	9
00824.0001.....	19	03284.0000.....	25	32591.0023.....	11	39175.0000.....	5
00908.0000.....	9	03407.0000.....	25	32591.1001.....	11	40071.0007.....	19
00908.0000.....	9	03407.0002.....	25	32591.1002.....	11	40506.0020.....	13,19
00908.0000.....	9	03408.0000.....	25	32965.0003.....	25	40783.0001.....	13,17,19
00942.0000.....	9	03409.0000.....	25	33027.0001.....	13	40784.0000.....	17
00943.0000.....	9,11	03536.0000.....	25	33128.0004.....	25	41488.0001.....	7
00970.0000.....	7	03717.0000.....	13	33129.0000.....	25	41665.0000.....	13
00986.0000.....	5	03717.0000.....	19	33801.0003.....	9	41666.0000.....	13
00970.0000.....	23	03996.0000.....	7	33937.0003.....	9	41666.0001.....	13
00973.0000.....	23	04221.0000.....	9	34074.1030.....	9	41849.1004.....	23
00991.0000.....	5	07412.1002.....	9	34118.0001.....	7	41948.0002.....	7
01037.0002.....	25	07441.0000.....	17	34307.1001.....	23	41948.0003.....	7
01037.0003.....	25	11517.0008.....	11	34956.0004.....	11	41969.0000.....	13
01075.0000.....	11	11630.0001.....	13	36353.0029.....	5	41995.0000.....	25
01082.0000.....	11	11630.0001.....	19	36353.1030.....	5	41996.0000.....	25
01079.0000.....	17	11707.1000.....	15,17,21	36354.0005.....	5	42005.0000.....	23
01085.0000.....	17	11707.1001.....	15,17,21	36354.0010.....	5	42025.0000.....	13
01101.0000.....	17	11707.1002.....	15,17,21	36355.1006.....	5	42234.0000.....	23
01106.0003.....	19	11707.1004.....	15,17,21	36355.1010.....	5	42287.0000.....	23
01111.0000.....	17	12422.0000.....	13,17,19	36356.1206.....	5	42287.0001.....	23
01116.0000.....	17	12422.0001.....	13,19	36359.0004.....	23	42287.0002.....	23
01308.0000.....	5	12422.0005.....	9,13	36360.1001.....	13	42287.0003.....	23
01311.0001.....	5,7	12422.0006.....	13,19	36360.1002.....	13	42287.0004.....	23
01315.0000.....	7	12422.0009.....	11	36362.0005.....	5	42377.0000.....	5
01317.0003.....	7	12565.0034.....	23	36364.0000.....	23	43041.0000.....	13
01315.0000.....	17	20203.0100.....	9	36366.0000.....	23	43235.0004.....	13,19
01317.0000.....	19	20541.0001.....	23	36368.0000.....	23	45313.0000.....	15
01327.0000.....	17	20621.0000.....	23	36378.0001.....	15	45313.0000.....	19
01327.0000.....	21	20976.1000.....	15,21	36378.0001.....	19	45787.1040.....	23
01347.0000.....	19	20976.1001.....	15,21	36412.0000.....	5	45787.1048.....	23
01382.0002.....	13	20976.1002.....	15,21	36461.0000.....	5	45787.1058.....	23
01382.0000.....	19	20976.1004.....	15,21	36421.0006.....	13	46028.0000.....	15
01382.0007.....	23	21814.0034.....	17	36421.0009.....	13	46884.0000.....	13
01501.0000.....	9	22150.0001.....	17	36421.0013.....	13	47898.1003.....	7
01502.0000.....	17	24600.0000.....	5	36462.0000.....	5	48443.0000.....	23
01502.0000.....	21	24684.0000.....	19	36587.0000.....	23	48823.0003.....	23
01502.0000.....	23	25137.0001.....	5	36594.0003.....	5	48823.0006.....	23
01520.0000.....	23	25137.0002.....	7	36877.0001.....	7	48823.0007.....	23

NUMERICAL INDEX

PART NO.	PAGE NO.	PART NO.	PAGE NO.	PART NO.	PAGE NO.	PART NO.	PAGE NO.
48835.0000.....	5						
48835.0002.....	5						
50058.0000.....	19						
50159.0000.....	19						
52008.0000.....	19						
M2522.1000.....	23						