

Parts Catalog



GHP24G

GAS COOKING EQUIPMENT

CHARBROILERS

RADIANT MODELS: GCB15G, GCB24G, GCB36G & GCB48G

CHAR ROCK MODELS: GCBRK15G, GCBRK24G, GCBRK36G & GCBRK48G

FRYERS

NATURAL GAS MODELS: GF15G & GF30G

LP GAS MODELS: GF15PG & GF30PG

GRIDDLES

MANUALLY CONTROLLED MODELS: GG15G, GG24G, GG36G & GG48G

THERMOSTATICALLY CONTROLLED MODELS: GG15TG, GG24TG, GG36TG & GG48TG

HOT PLATES

MODELS: GHP12G, GHP24G & GHP36G

1-22-16

IMPORTANT! TO EXPEDITE SHIPMENT OF PARTS, ALWAYS SPECIFY MODEL, REV,
PART NUMBER, AND SERIAL NUMBER OF COOKING EQUIPMENT.

GLOBE FOOD EQUIPMENT COMPANY

2215 East River Road Dayton, Ohio 45439

Parts Department

Toll Free 1-800-745-6238 · Fax (937) 290-0585

E-Mail: info@globefoodequip.com Website: www.globefoodequip.com

Not for resale

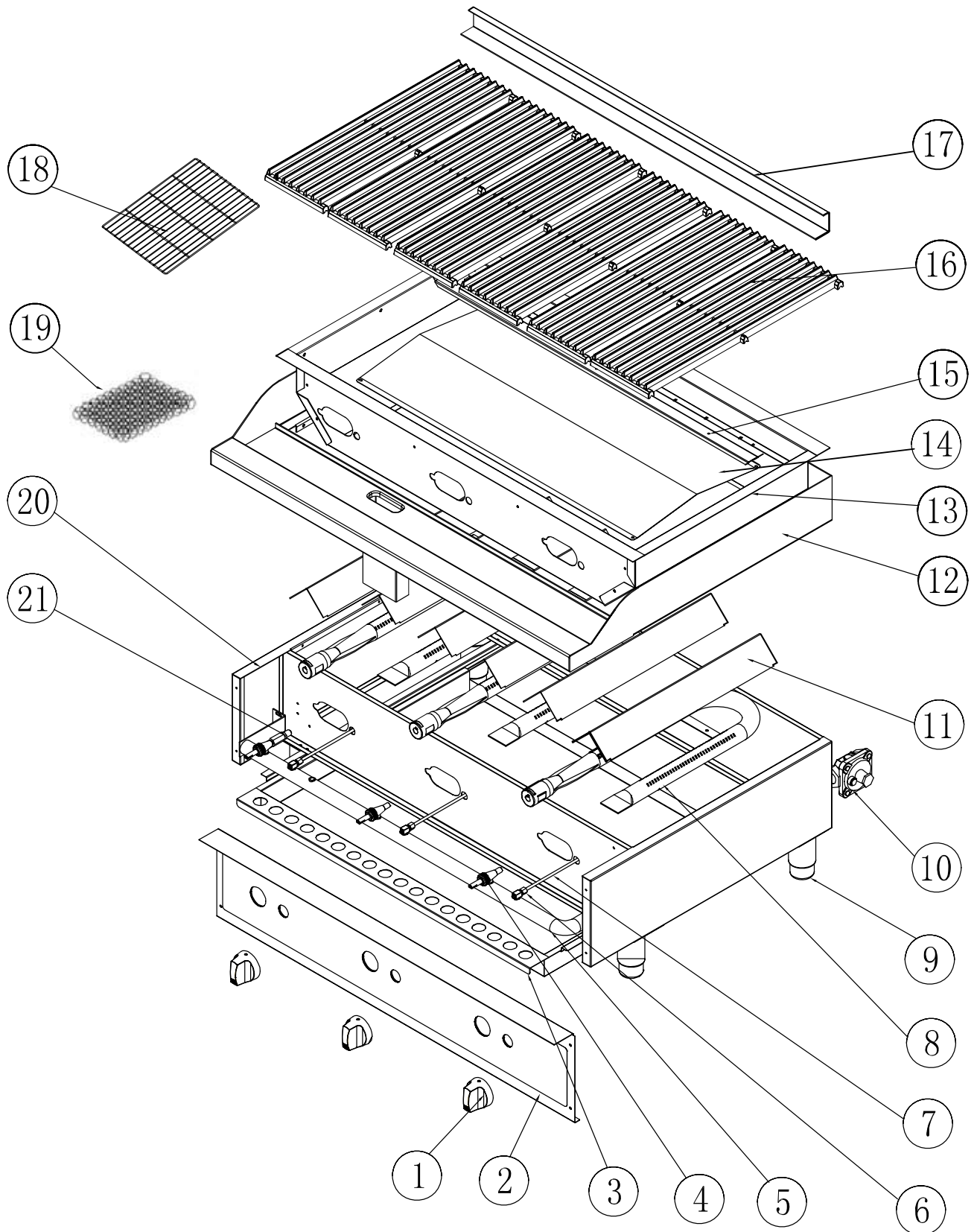
TABLE OF CONTENTS

	Page
<hr/> CHARBROILERS <hr/>	
RADIANT MODELS: GCB15G, GCB24G, GCB36G & GCB48G	1 - 2
LAVA ROCK MODELS: GCBRK15G, GCBRK24G, GCBRK36G & GCBRK48G	
<hr/> FRYERS <hr/>	
NATURAL GAS MODELS: GF15G & GF30G	3 - 4
LP GAS MODELS: GF15PG & GF30PG	
<hr/> GRIDDLES <hr/>	
MANUALLY CONTROLLED MODELS: GG15G, GG24G, GG36G & GG48G	5 - 6
THERMOSTATICALLY CONTROLLED MODELS: GG15TG, GG24TG, GG36TG & GG48TG	
<hr/> HOT PLATES <hr/>	
MODELS: GHP12G, GHP24G, GHP36G	7 - 8

CHARBROILER COMPONENTS:

Radiant Models GCB15G, GCB24G, GCB36G, & GCB48G

Char Rock Models GCB15G, GCB24G, GCB36G, & GCB48G



CHARBROILER PARTS LIST:
Radiant Models GCB15G, GCB24G, GCB36G, & GCB48G
Char Rock Models GCBRK15G, GCBRK24G, GCBRK36G, & GCBRK48G

ITEM	DESCRIPTION	PART NUMBER	QTY
1	CONTROL KNOB	U01021005188	3
2	CONTROL PANEL GCB15G/GCBRK15G	N/A	1
	CONTROL PANEL GCB24G/GCBRK24G	N/A	
	CONTROL PANEL GCB36G/GCBRK36G	N/A	
3	DRIP TRAY GCB15G/GCBRK15G	U01051027196	1
	DRIP TRAY GCB24G/GCBRK24G	U01051027231	
	DRIP TRAY GCB36G/GCBRK36G	U00815	
	DRIP TRAY GCB48G/GCBRK48G	U01051027231	2
4	VALVE, MANUAL CONTROL UNIT	U01201068502	3
5	MANIFOLD ASSEMBLY	N/A	1
6	PILOT VALVE, SINGLE - MANUAL CONTROL	U01201068509	3
7	PIPE OF PILOT ASSEMBLY	*U06051470667	3
8	STAINLESS STEEL BURNER ASSY. "U" SHAPE	U06051470384	3
9	ADJUSTABLE STAINLESS STEEL FEET	U01021005165	4
10	REGULATOR, 6" NAT or 10" LP, 3/4"-PT	U01221069501	1
11	RADIANT PLATE	U01051026069	6
12	MAIN ENCLOSURE, UPPER	N/A	1
13	ISOLATING PLATE ASSEMBLY	N/A	1
14	ISOLATING PLATE, LOWER	N/A	1
15	PANEL, BURNER SUPPORT	N/A	1
16	COOKING GRATE 3"	U01031015045	6
	COOKING GRATE 6"	U01031015028	
17	PANEL, GRATE SUPPORT	U01051026288	1
18	CHAR ROCK RACK	U01111062033	3
19	CHAR ROCK KIT (1 BURNER, 40 PIECES EACH)	CHARRACK-KIT	1, 2, 3, 4
20	MAIN ENCLOSURE, LOWER	U06051470602	1
21	MAIN INJECTOR #36 NG (1 per burner)	U01201068636	1, 2, 3, 4
	MAIN INJECTOR #49 LPG (1 per burner)	U01201068649	
ITEMS BELOW ARE NOT SHOWN IN EXPLODED PARTS VIEW			
22	CONNECTOR 3/8-27UNS		-
23	IGNITION BAR		1

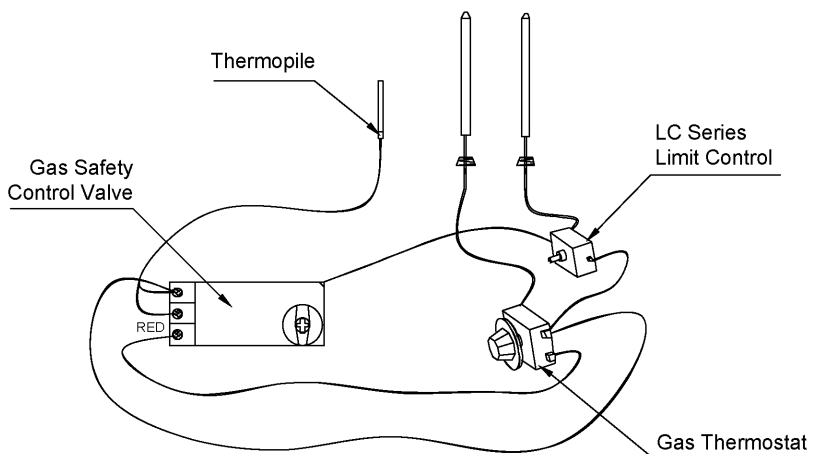
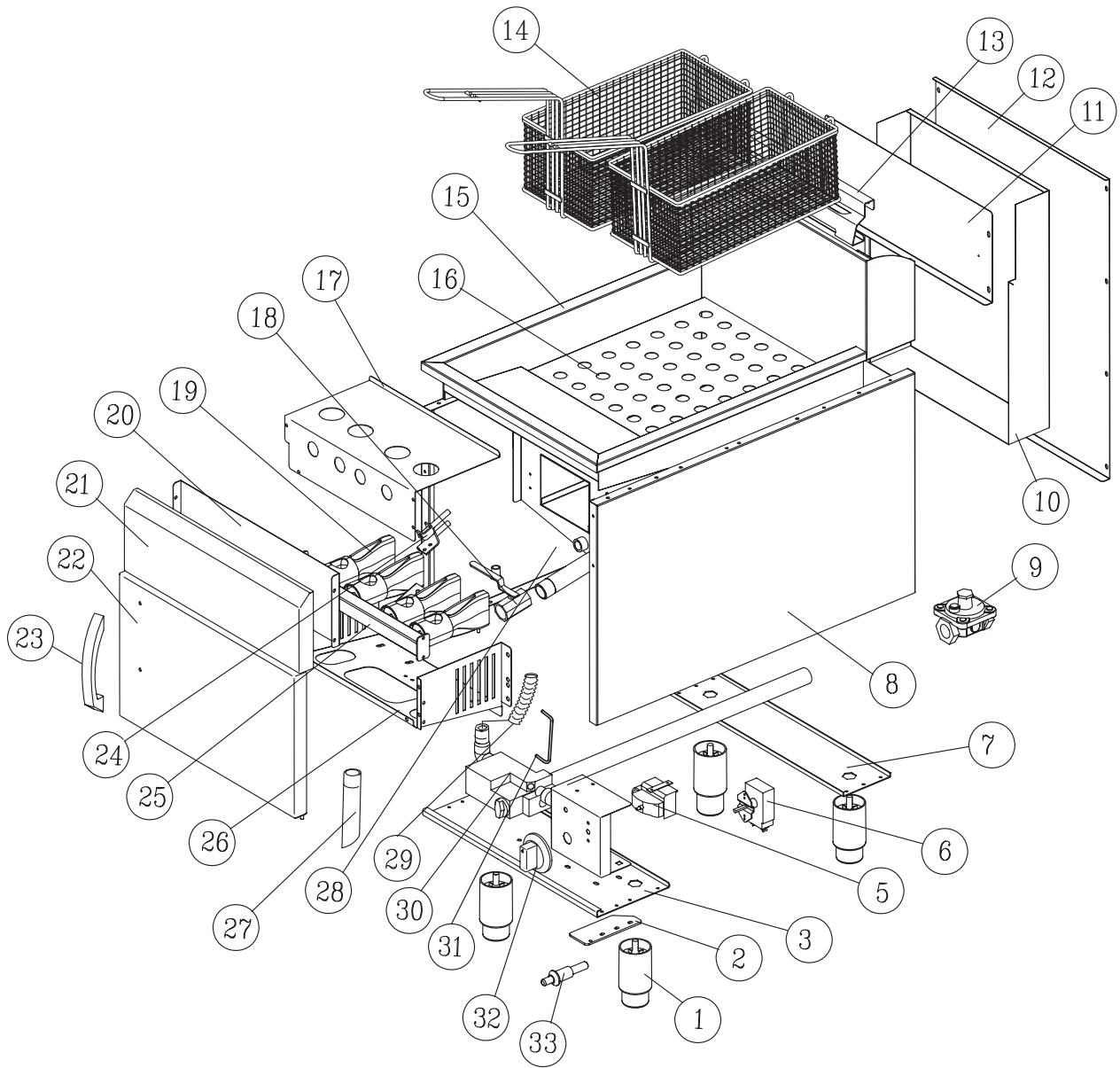
* Part Number U06051470667 must be purchased with part number U01201068509.

Note: See Table 1. Gas Orifice Elevation for changes in elevation.

GAS FRYER COMPONENTS

Natural Gas Models: GF15G & GF30G

LP Gas Models: GF15PG & GF30PG



GAS FRYER PARTS LIST

Natural Gas Models: GF15G & GF30G
LP Gas Models: GF15PG & GF30PG

ITEM	DESCRIPTION	PART NUMBER	QTY
1	ADJUSTABLE STAINLESS STEEL FOOT	U01021005165	4
2	FIXING PLATE FOR DOOR HINGE	N/A	1
3	SUPPORTING PLATE, FRONT FEET	N/A	1
5	LCHM LIMIT CONTROL	U03991290101	1
6	THERMOSTAT MILLIVOLT	U03051220047	1
7	SUPPORTING PLATE, REAR FEET	N/A	1
8	PANEL, RIGHT	N/A	1
9	REGULATOR 6"-NG	U01221069501	1
	REGULATOR 10"-LP, 3/4"-PT		
10	PLATE, REAR FLUE	N/A	1
11	PLATE, FRONT FLUE	N/A	1
12	PANEL, REAR	N/A	1
13	BASKET HOOK, GF15G/GF15PG	U01051026470	1
	BASKET HOOK, GF30G/GF30PG	U01051026221	
14	BASKET GF15G/GF15PG	U01021005190	1
	BASKET GF30G/GF30PG		2
15	OIL TANK ASSEMBLY	N/A	1
16	FILTER PANEL	N/A	1
17	BURNER ISOLATING PLATE, UPPER	N/A	1
18	VALVE, OIL DRAIN	U01201068532	1
19	BURNER ASSY.	U06051470489	4
20	ISOLATING PLATE, FRONT	N/A	1
21	PANEL, FRONT	N/A	1
22	DOOR ASSEMBLY	N/A	1
23	DOOR HANDLE	U01021005070	1
24	ODS FLAME PROTECTION - NG	U01211069001	1
	ODS FLAME PROTECTION - LPG	U01211069003	
25	GAS PIPE ASSEMBLY	N/A	1
26	BURNER ISOLATING PLATE, LOWER	N/A	1
27	OIL DRAIN PIPE	U01021005195	1
28	PANEL, LEFT	N/A	1
29	PIPE, CORRUGATED	U01021005117	1
30	SAFETY CONTROL VALVE ASSEMBLY - NG	U06051470654	1
	SAFETY CONTROL VALVE ASSEMBLY - LPG	U06051470674	
*31	PILOT TUBE GF15G/GF15PG	U00770	1
	PILOT TUBE GF30G/GF30PG	U00771	
32	THERMOSTAT KNOB	U01078	1
33	PIEZO IGNITION	U03991290085	1
ITEMS BELOW ARE NOT SHOWN IN EXPLODED PARTS VIEW			
34	IGNITION BAR	N/A	1
35	MAIN INJECTOR 51#NG	U01201068651	1
36	MAIN INJECTOR 58#LPG	U01201068658	1
37	THERMOCOUPLE ASSY.	U03111250027	1
38	COVER 15 lb.	U06051470668	1
39	COVER 30 lb.	U06051470669	1
40	SPATTER SHIELD 15lb	U01051026757	1
41	SPATTER SHIELD 30lb	U01051026758	1

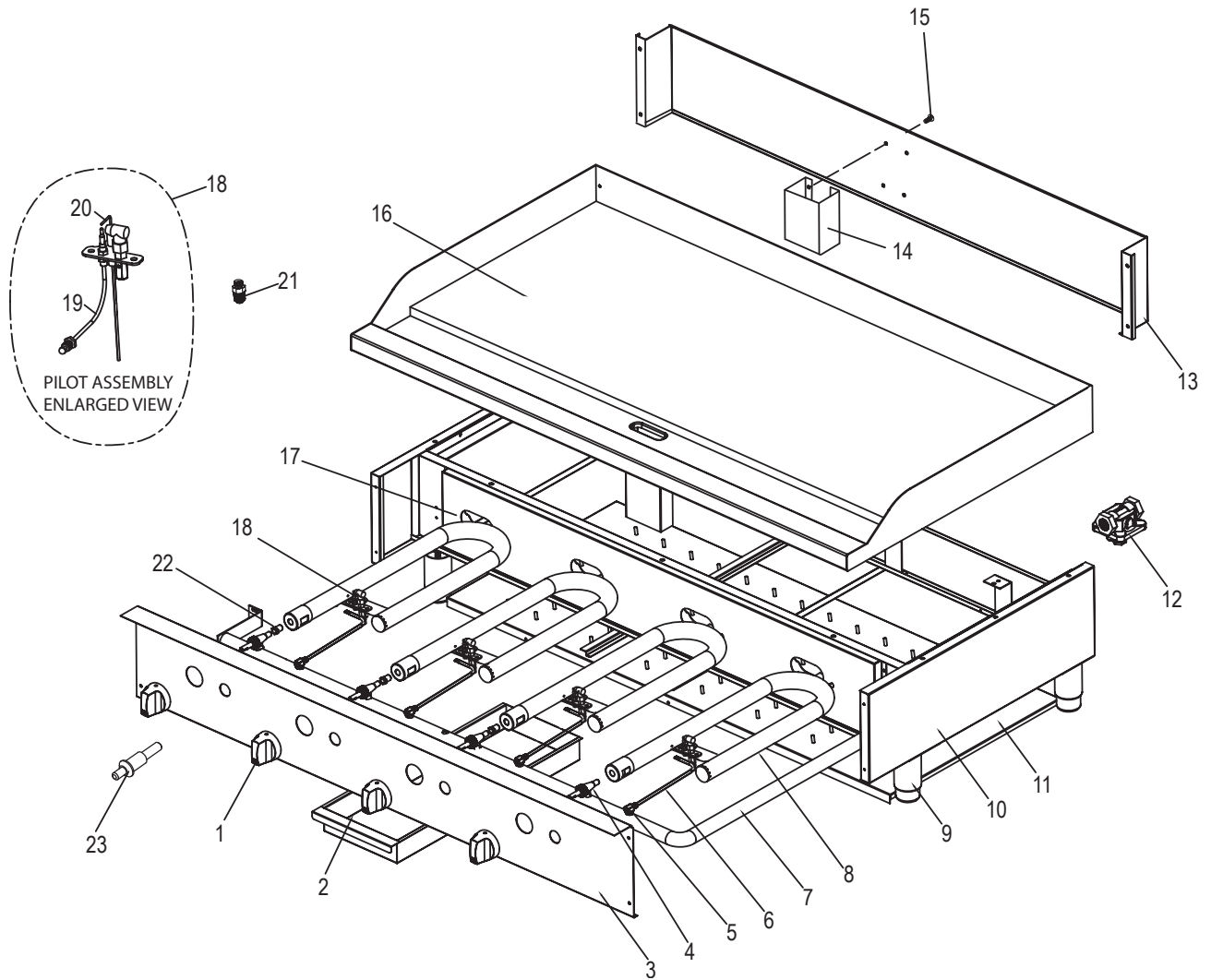
* Two 1/4 inch brass compression sleeves needed for replacement of the pilot tube (not supplied).

*Note: Natural Gas and LP Gas Fryers are not interconvertible.
Fryers are configured either Natural or LP Gas at the factory.*

GAS GRIDDLE COMPONENTS

Manually Controlled Models: GG15G, GG24G, GG36G & GG48G

Thermostatically Controlled Models: GG15TG, GG24TG, GG36TG & GG48TG



GAS GRIDDLE PARTS LIST

Manually Controlled Models: GG15G, GG24G, GG36G & GG48G

Thermostatically Controlled Models: GG15TG, GG24TG, GG36TG & GG48TG

ITEM	DESCRIPTION	PART NUMBER	QTY
1	CONTROL KNOB	U01021005188	1, 2, 3, 4
2	DRIP TRAY GG15G	U01051026175	1
	DRIP TRAY GG24G/GG36G/GG48G	*U01051026835	
	DRIP TRAY GG24G/GG36G/GG48G	*U00811	1
3	CONTROL PANEL GG15G	N/A	1
	CONTROL PANEL GG24G	N/A	
	CONTROL PANEL GG36G	N/A	
	CONTROL PANEL GG48G	N/A	
4	VALVE, MANUAL CONTROL GAS UNITS	U01201068502	1, 2, 3, 4
5	PILOT VALVE, SINGLE - MANUAL CONTROL GAS UNITS	U01201068509	1, 2, 3, 4
6	PILOT PIPE, MANUAL CONTROL GAS GRIDDLE	U06051471014	1, 2, 3, 4
	PILOT PIPE, THERMOSTAT CONTROL	U06051471013	1, 2, 3, 4
7	MANIFOLD ASSEMBLY	N/A	1
8	STAINLESS STEEL BURNER ASSY - MANUAL CONTROL	U06051470672	1, 2, 3, 4
	STAINLESS STEEL BURNER ASSY - THERMOSTAT CONTROL	U06051470673	
9	ADJUSTABLE STAINLESS STEEL FOOT	U01021005165	4
10	MAIN ENCLOSURE, LOWER	N/A	1
11	ISOLATING PLATE, LOWER	N/A	1
12	REGULATOR, 6" NAT or 10" LP, 3/4"-PT	U01221069501	1
13	REAR PANEL GG15G/GG15TG	U01151066096	1
	REAR PANEL GG24G/GG24TG	U01151066090	
	REAR PANEL GG24G/GG24TG	**U01077	
	REAR PANEL GG36G/GG36TG	U01151066092	
	REAR PANEL GG36G/GG36TG	**U01031	
	REAR PANEL GG48G/GG48TG	**U01073	
14	SUPPORT BRACKET	***U01032	1
15	SCREW	***U01075	4
16	GRIDDLE PLATE ASSEMBLY	N/A	1
17	ISOLATING PLATE, FRONT	N/A	1
18	PILOT ASSEMBLY	U00677	1
19	THERMOCOUPLE	U03111250030	1
20	PIEZO IGNITION WIRE	U03991290123	1
21	PILOT INJECTOR NG 0.45MM THERMOSTAT CONTROL	U01201068513	1, 2, 3, 4
	PILOT INJECTOR LPG 0.25MM THERMOSTAT CONTROL	U01201068512	
22	MAIN INJECTOR #41 NG	U01201068641	1, 2, 3, 4
	MAIN INJECTOR #51 LPG	U01201068651	
23	PIEZO IGNITION - THERMOSTAT CONTROL	U03991290085	1
ITEMS BELOW ARE NOT SHOWN IN EXPLODED PARTS VIEW			
24	THERMOSTATIC VALVE - THERMOSTAT CONTROL	U01201068510	1, 2, 3, 4
25	CONNECTOR 3/8-27UNS	N/A	-
26	IGNITION BAR	N/A	1
27	MAIN BURNER GAS PIPE - THERMOSTAT CONTROL	U01079	1, 2, 3, 4
28	INJECTOR CONNECTION - THERMOSTAT CONTROL	U01080	1, 2, 3, 4

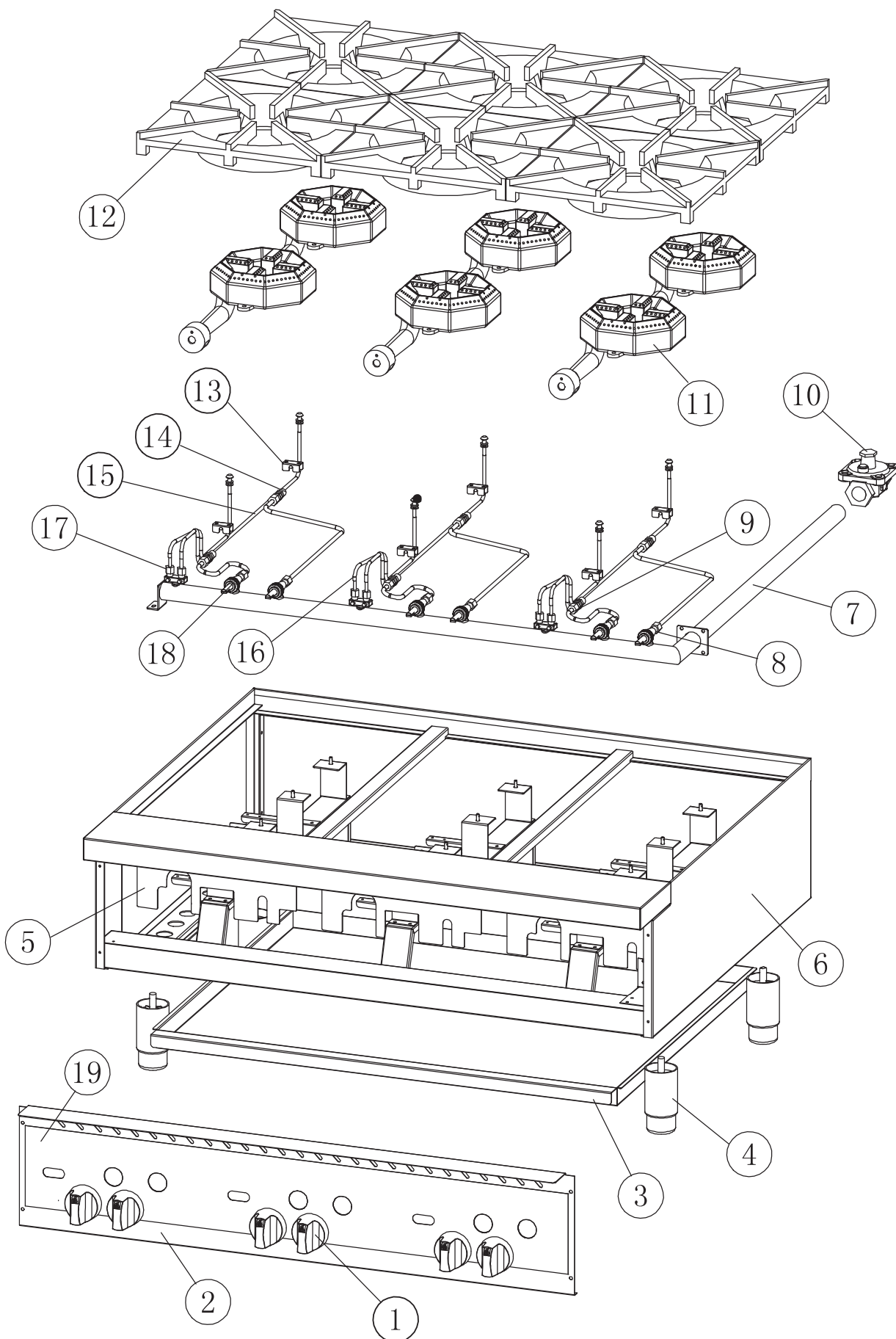
Note: Thermostatically controlled equipment requires items 19 & 20 NG or LPG parts.

Note: See Table 1. Gas Orifice Elevation for changes in elevation.

*	GG24G U01051026835 Before SN 1615042958	GG24G U00811 After SN 1615042957
	GG24TG U01051026835 Before SN 1615055829	GG24TG U00811 After SN 1615055828
	GG36G U01051026835 Before SN 1615065889	GG36G U00811 After SN 1615065888
	GG36TG U01051026835 Before SN 1615053138	GG36TG U00811 After SN 1615053137
	GG48G U01051026835 Before SN 1615055779	GG48G U00811 After SN 1615055778
	GG48TG U01051026835 Before SN 1615053188	GG48TG U00811 After SN 1615053187
**	GG24G U01077 After SN 1614032190	GG24TG U01077 After SN 1614032260
	GG36G U01031 After SN 1614032270	GG36TG U01031 After SN 1614030120
	GG48G U01073 After SN 1714030020	GG48PG U01073 After SN 1614030140

*** Part Numbers U01032 and U01075 must be purchased with part number U01031 or U01073

HOT PLATE COMPONENTS: Models GHP12G, GHP24G & GHP36G



HOT PLATE PARTS LIST: Models GHP12G, GHP24G & GHP36G

ITEM	DESCRIPTION	PART NUMBER	QTY
1	CONTROL KNOB	U01021005188	2, 4, 6
2	CONTROL PANEL GHP12G	N/A	1
	CONTROL PANEL GHP24G	N/A	
	CONTROL PANEL GHP36G	N/A	
3	DRIP TRAY GHP12G	U01051026433	1
	DRIP TRAY GHP24G	U01051026428	
	DRIP TRAY GHP36G	U01051026105	
4	ADJUSTABLE STAINLESS STEEL FEET	U01021005165	4
5	ISOLATING PLATE FRONT	N/A	1, 2, 3
6	MAIN ENCLOSURE	N/A	1
7	MANIFOLD ASSEMBLY	N/A	1
8	MAIN GAS PIPE, REAR	N/A	1, 2, 3
9	MAIN GAS PIPE, FRONT	N/A	1, 2, 3
10	REGULATOR 6"-NAT or 10"-LP ,3/4"-PT	U01221069501	1
11	BURNER	U01074	2, 4, 6
12	TRIVET	U01072	2, 4, 6
13	FIXTURE BLOCK, PILOT PIPE	N/A	2, 4, 6
*14	MAIN INJECTOR #46 NG	U06051470695	2, 4, 6
	MAIN INJECTOR #54 LPG	U06051470693	
15	BACK PIPE, PILOT ASSEMBLY	U06051470670	1, 2, 3
16	FRONT PIPE, PILOT ASSEMBLY	U06051470671	1, 2, 3
17	PILOT VALVE	U01201068508	2, 4, 6
18	VALVE FOR MANUAL CONTROL GAS UNITS	U01201068502	1, 2, 3
19	DECAL	N/A	1
ITEMS BELOW ARE NOT SHOWN IN EXPLODED PARTS VIEW			
NA	CONNECTOR	NA	-
NA	IGNITION BAR	NA	1

* 12" (2x Injector)

24" (4x Injector)

36" (6x Injector)

Note: See Table 1. Gas Orifice Elevation for changes in elevation.

Table 1. Gas Orifice Elevation

Model	Rated Input Per Burner (BTU/HR)	Elevation		Elevation	
		0-2000 ft		2000 - 4000 ft	
		Nat	LP	Nat	LP
Hot Plate	22500	U06051470695 (#46)	U06051470693 (#54)	U06051470929 (#47)	U06051470836 (#55)
Griddle	30000	U01201068641 (#41)	U01201068651 (#51)	U06051470839 (#43)	U06051470824 (#52)
Char Broiler	40000	U01201068636 (#36)	U01201068649 (#49)	U06051470847 (#38)	U06051470832 (#50)
Fryer	13250	U01201068651 (#51)	U01201068658 (#58)	U06051470824 (#52)	U06051470967 (#59)
		Elevation		Elevation	
		4000-6000 ft		6000-8000 ft	
		Nat	LP	Nat	LP
Hot Plate	22500	U06051470881 (#48)	U06051470836 (#55)	U01201068649 (#49)	U06051470896 (#56)
Griddle	30000	U06051470869 (#44)	U06051470824 (#52)	U06051470899 (#45)	U06051470884 (#53)
Char Broiler	40000	U06051470877 (# 39)	U06051470832 (#50)	U06051470907 (#40)	U01201068651 (#51)
Fryer	13250	U06051470824 (# 52)	U06051470967 (#59)	U06051470884 (#53)	U06051470975 (#60)
		Elevation		Pilot For Thermostatic Griddle Only	
		8000-10000 ft		All elevations	
		Nat	LP	Nat	LP
Hot Plate	22500	U01201068651 (#51)	U06051470896 (#56)	U01201068513 (.45mm)	U01201068512 (.25mm)
Griddle	30000	U06051470929 (#47)	U06051470884 (#53)		
Char Broiler	40000	U06051470937 (#42)	U01201068651 (#51)		
Fryer	13250	U06051470693 (#54)	U06051470975 (#60)		

All orifices sold as single quantities

NOTES:

995092 GFE GCB15G, GCB24G, GCB36G & GCB48G/GCBRK15G, GCBRK24G, GCBRK36G & GCBRK48G.
GF15G & GF30G/GF15PG & GF30PG. GG15G, GG24G, GG36G & GG48G/G15TG, GG24TG, GG36TG & GG48TG
GHP12G, GHP24G, GHP36G Rev F ECN 1887 22Jan2016