

Parts Catalog



GEG24

MEDIUM DUTY ELECTRIC COUNTERTOP GRIDDLE

MODEL: GEG24

6/23/16 Rev. C

IMPORTANT!

TO EXPEDITE SHIPMENT OF PARTS, ALWAYS SPECIFY MODEL, REV,
PART NUMBER, AND SERIAL NUMBER OF UNIT.

GLOBE FOOD EQUIPMENT COMPANY

2215 East River Road
Dayton, Ohio 45439

Parts Department

Toll Free 1-800-745-6238 · Fax (937) 290-0585

E-Mail: info@globefoodequip.com

Website: www.globefoodequip.com

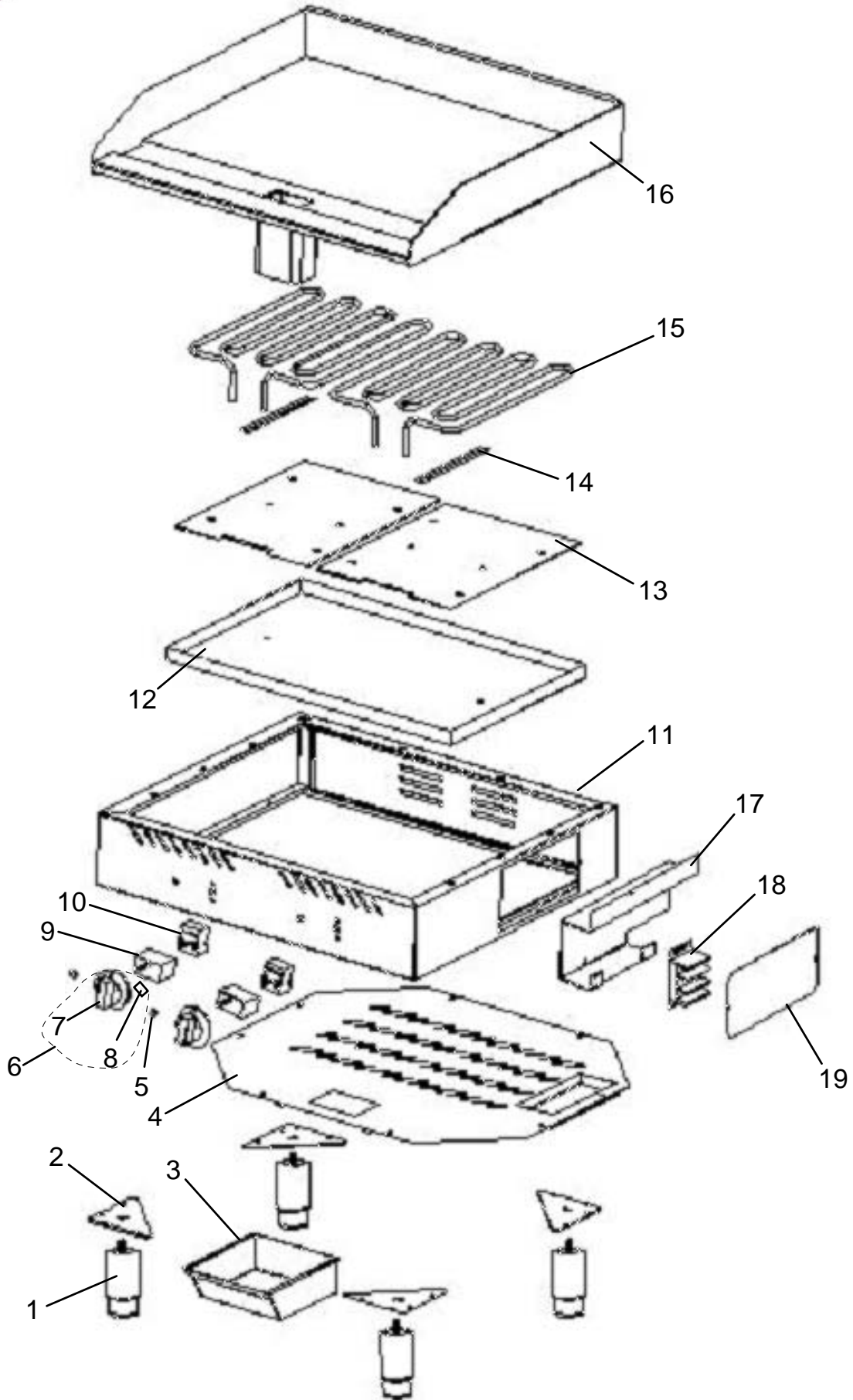
Not for resale

Table of Contents

Description	Page
Electric Griddle Components	3
Electric Griddle Schematic	5



Electric Griddle Components



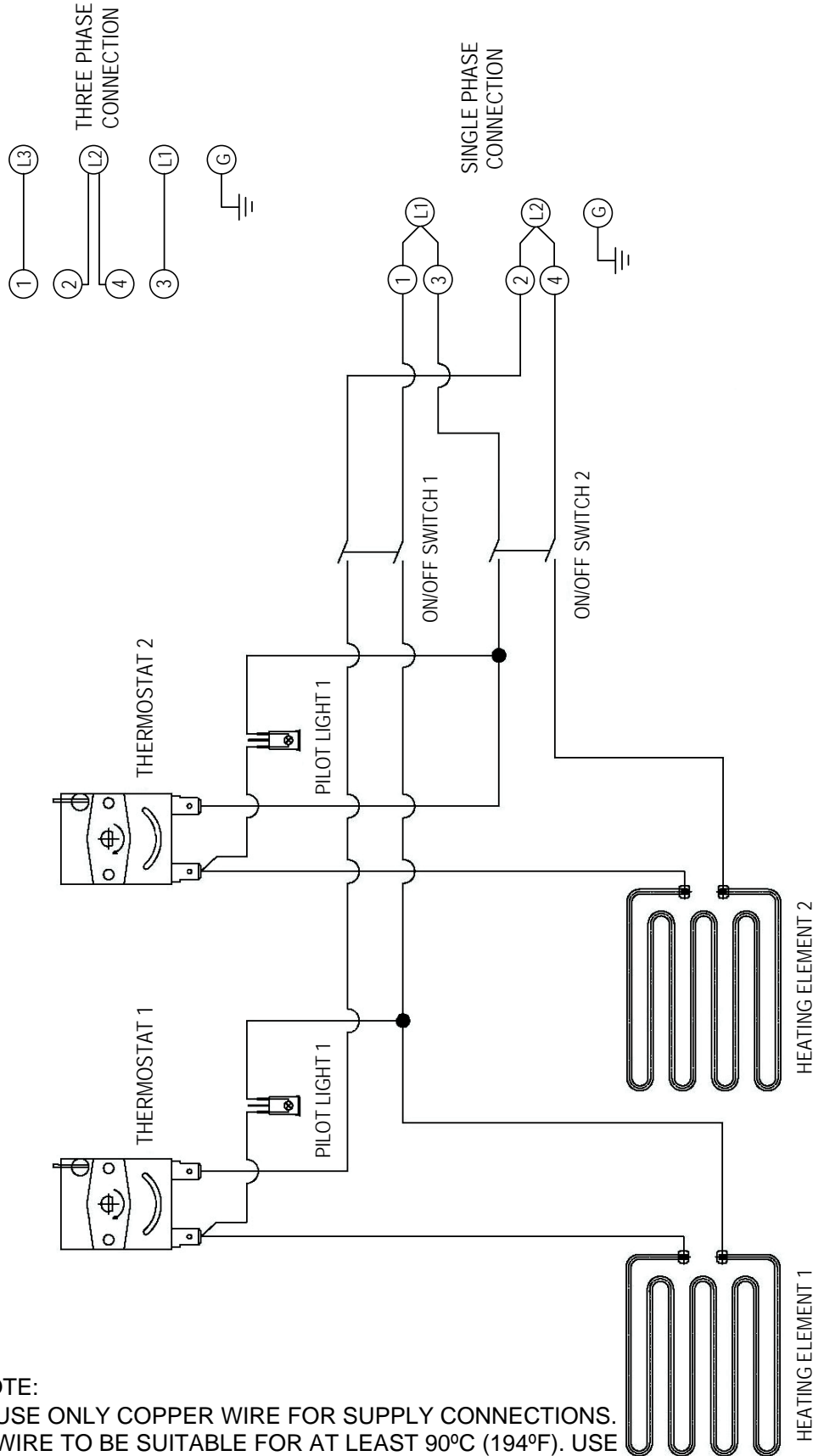
Electric Griddle Components



Item	Part Number	Description	Qty	Serial Number
1	U01021005165	Foot, Adjustable - SS	4	
2		Plate, Foot Support	4	
3	U01051025574	Drip Tray	1	
4	U06051470499	Plate, Base	1	
5	U03091240006	Indicator Light	2	
6	U01033	Knob Assembly (Incl. items 7-8)	2	
7		Dial Knob	2	
8		Spring Plate	2	
9	U03041215033	Switch, ON/OFF	2	
10	U03051220048	Thermostat	2	
11		Enclosure Assembly	1	
12	U01071040229	Plate, Insulation	1	
13	U01991090036	Plate, Element	2	
14	U01051027329	Plate, Sensor	2	
15	U03061225104	Heating Element	2	
16		Plate, Griddle	1	
17	U01051027332	Box, Connection	1	
18	U03081235018	Terminal Block	1	
19	U01051027359	Cover, Connection Box	1	



Electric Griddle Schematic



NOMINAL AMPS PER LINE			
208V ~ 3 PHASE		240V ~ 3 PHASE	240V
4,200 WATTS		5,600 WATTS	1 PH
L1	L2	L3	
10.1	17.49	10.1	23.33
AWG #14	AWG #10	AWG #14	AWG #10

- NOTE:
1. USE ONLY COPPER WIRE FOR SUPPLY CONNECTIONS. WIRE TO BE SUITABLE FOR AT LEAST 90°C (194°F). USE WIRE GAUGE SHOWN OR LARGER.
 2. ALL INTERNAL WIRING IS #14 GAUGE.