

WARING COMMERCIAL

Xtreme Blender with Paddle Switch
64 oz. Stackable Container

MX1000TX

MX1000TXGR

Grainger

SUP1000TX

Superior - US Foods

Unit Information

Limited 3 Year Motor Warranty
Two Year Parts & Labor

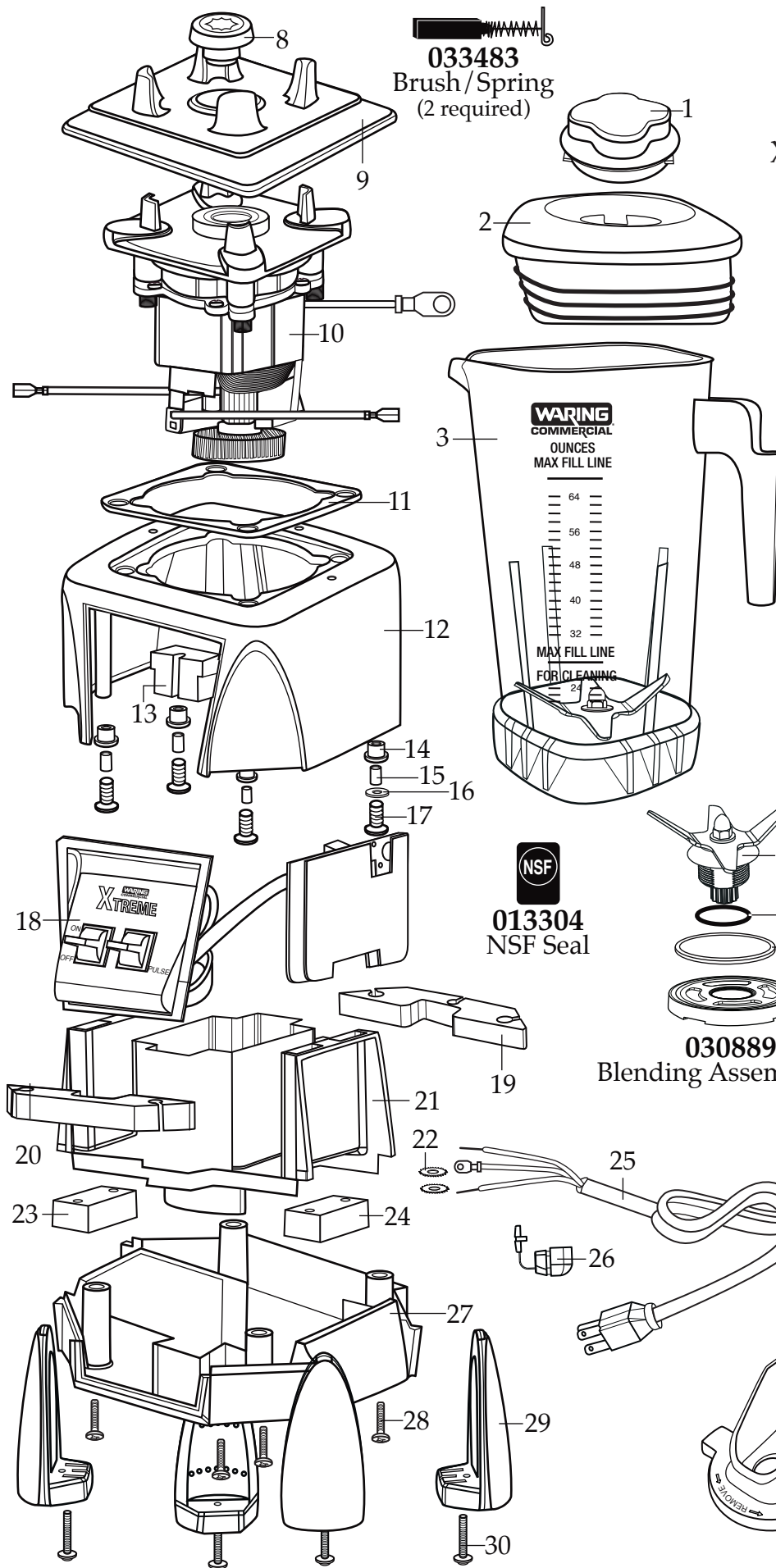
60Hz - 13 Amps

Height 19" - Weight 15 lbs.

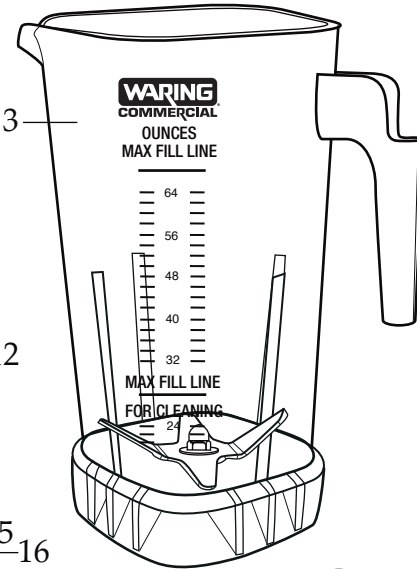
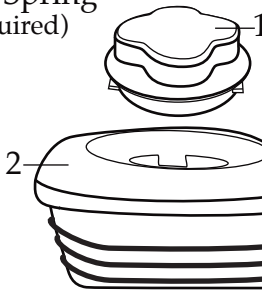
3 HP Motor

30,000+ RPM's

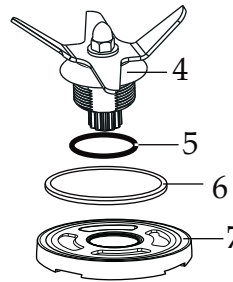
One Piece Dishwasher Safe
Removable Jar Pad



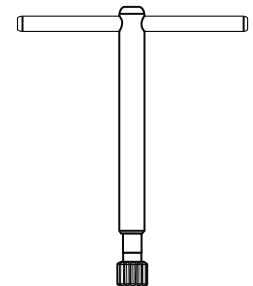
033483
Brush/Spring
(2 required)



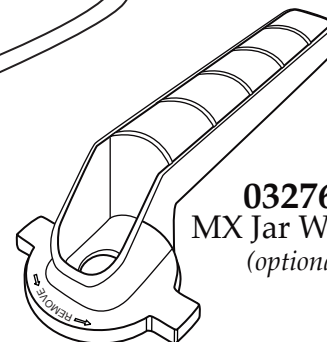
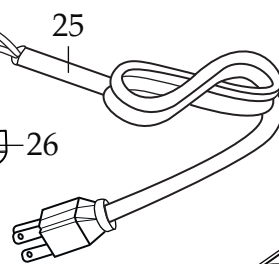
013304
NSF Seal



030889
Blending Assembly Kit



503351
MX Coupling Wrench
(optional)



032761
MX Jar Wrench
(optional)

Catalog	Model
MX1000XTX	
MX1000XTXGR	MX1000XT41
SUP1000XTX	

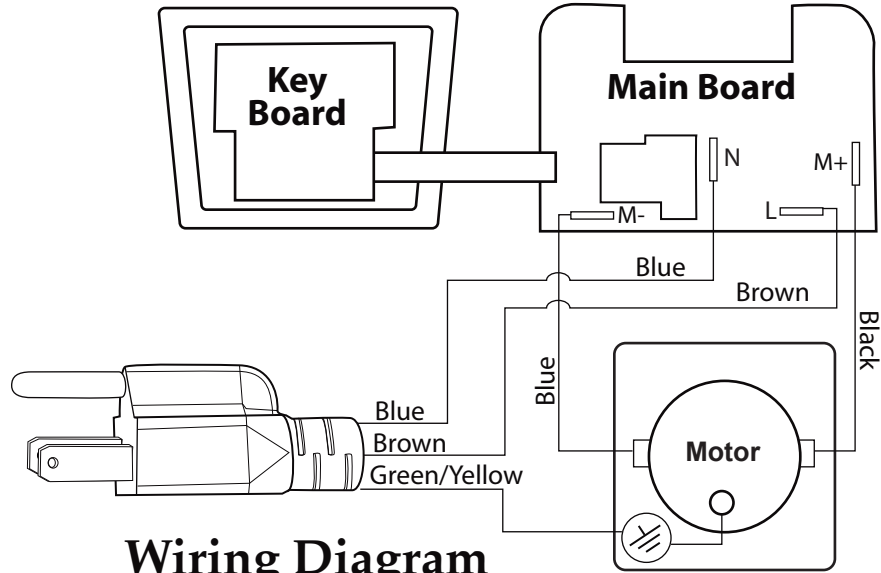

Waring Factory Service Center
 314 Ella T. Grasso Ave.
 Torrington, CT 06790
 Tele. 1-800-269-6640
 Fax 860-496-9017
www.waringcommercialproducts.com

Illustration #	Part #	Description
1	026425-E	Jar Lid Cover
2	026424-V	Vinyl Jar Lid <i>(changed after 12/13/2012)</i>
3	503326	64 oz. Stackable Container ONLY
	503398	64 oz. Stackable Container with Blending Assembly
	503350	64 oz. Stackable Container with Blending Assembly <i>(on units before 2/28/2011)</i>
4	503397	Blade Assembly <i>(changed after 2/28/2011)</i>
5	024271	Bearing Holder O Ring
6	024268	Nut Gasket
7	029631	Bearing Holder Nut
8	028538	Drive Coupling
9	026442	Jar Pad
10	028100	Motor
11	026437	Dampening Plate Gasket
12	028032-09	Black Top Housing
13	028541	Motor Foam (2 required)
14	026439	Dampening Plate Bushing (4 required)
15	026453	Dampening Plate Sleeve (4 required)
16	026459	Stainless Steel Washer
17	028929	Screw (4 required)
18	033465	Soft Start Sealed Switch Control Panel <i>(changed after 6/13/2013)</i>
19	028248	Housing Foam Rear Baffle
20	028249	Housing Foam Front Baffle
21	028240	Motor Housing
22	002943	Washer (2 required)
23	028247	Bottom Housing Foam Baffle
24	028542	Foam Baffle
25	026925	Cord Set
26	007556	Strain Relief
27	028241-09-X	Black Bottom Housing

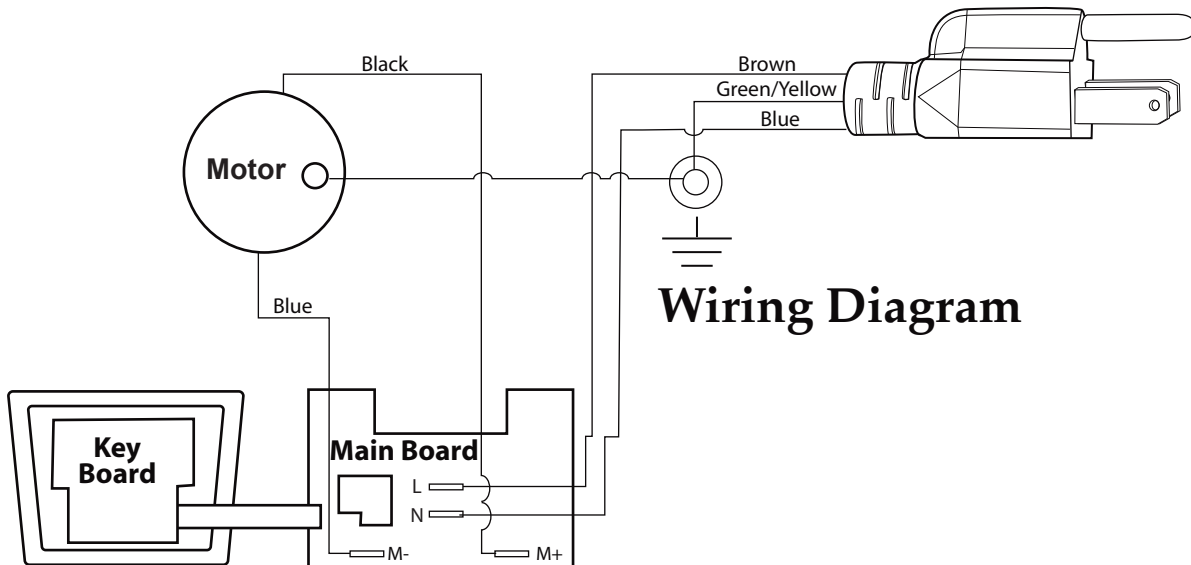
Catalog **Model**
 MX1000XTX
 MX1000XTXGR MX1000XT41
 SUP1000XTX

Waring Factory Service Center
 314 Ella T. Grasso Ave.
 Torrington, CT 06790
 Tele. 1-800-269-6640
 Fax 860-496-9017
 www.waringcommercialproducts.com

Illustration #	Part #	Description
28	012505	Screw (4 required)
29	026430	Corner Post (4 required)
30	028928	Screw (4 required)



Wiring Diagram
(on units after 10/24/2012)



Wiring Diagram