

# WARING COMMERCIAL

## BB180

44 oz. polycarbonate container

## BB180S

32 oz. stainless steel container

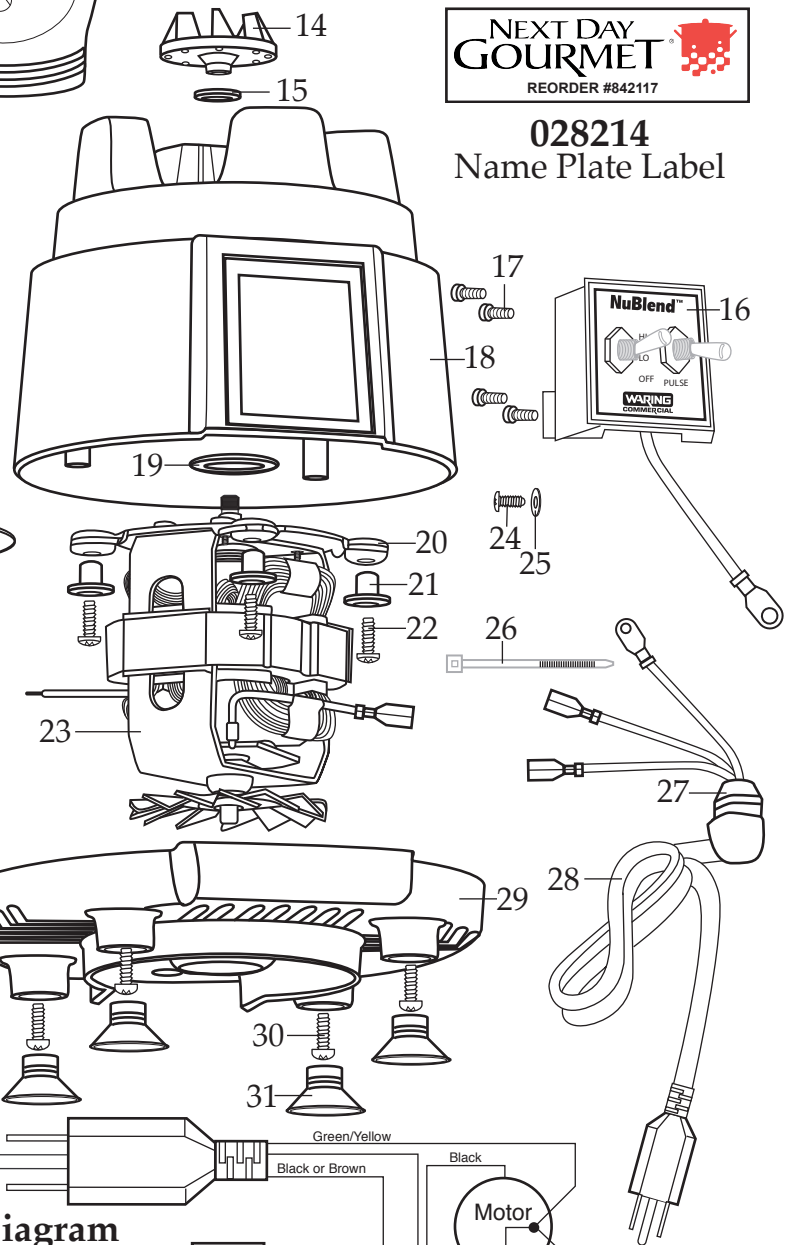
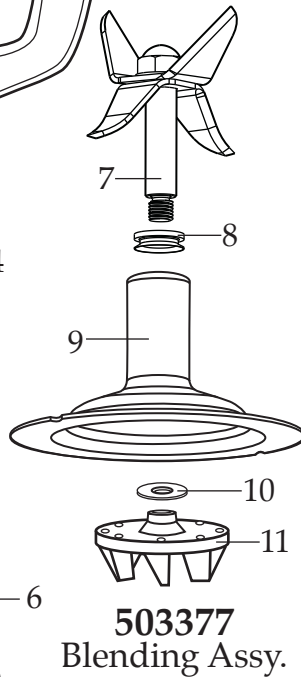
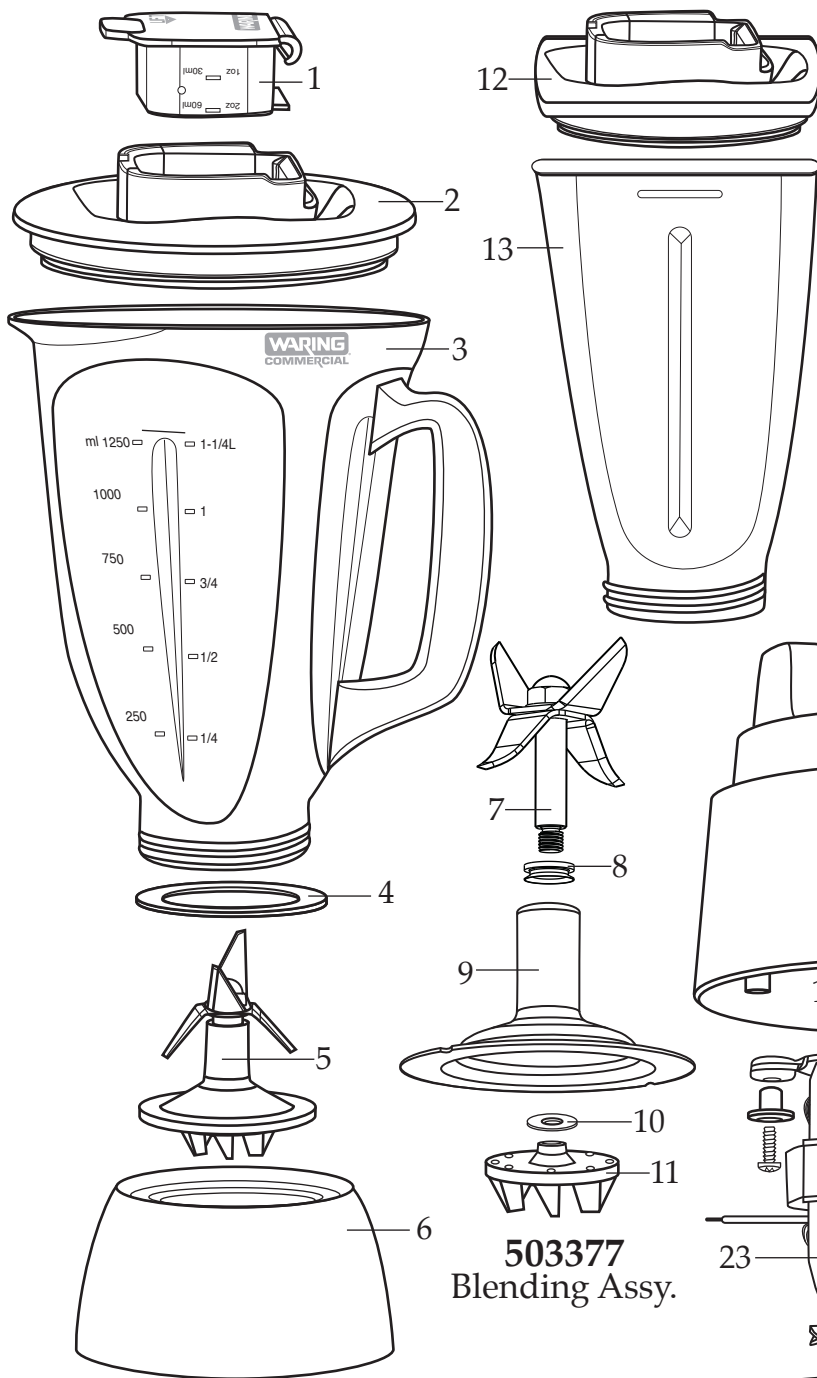
## NDG180 / Next Day Gourmet

44 oz. polycarbonate container



**028214**

Name Plate Label



### Unit Information

Limited 2 Year Warranty

60Hz

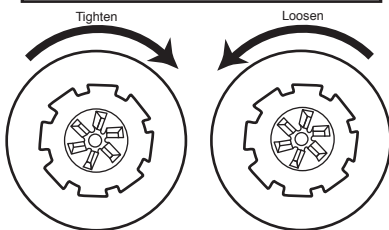
5 Amps

3/4 HP Motor

Hamilton Beach 901, 908 & 909  
Jars Can Be Used On This Unit



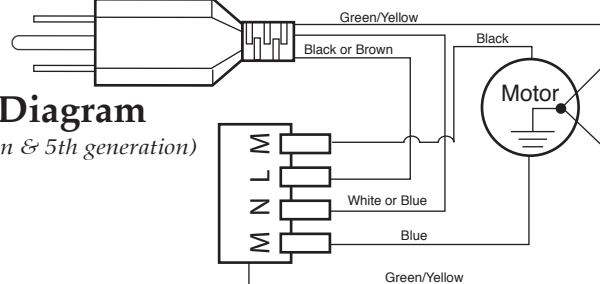
**013304**  
NSF Seal



Jar Upside Down with Jar Bottom Facing You

### Wiring Diagram

(current production & 5th generation)



**Catalog#**

BB180 BB180P  
 BB180S BB180S  
 NDG180 same as BB180

**Model**

BB180 MT (Type 25) BB180T BB180  
*(4th generation)*  
 BB180S MT (Type 25)  
*(4th generation)*  
 BB180 MT (Type 25)  
*(4th generation)*



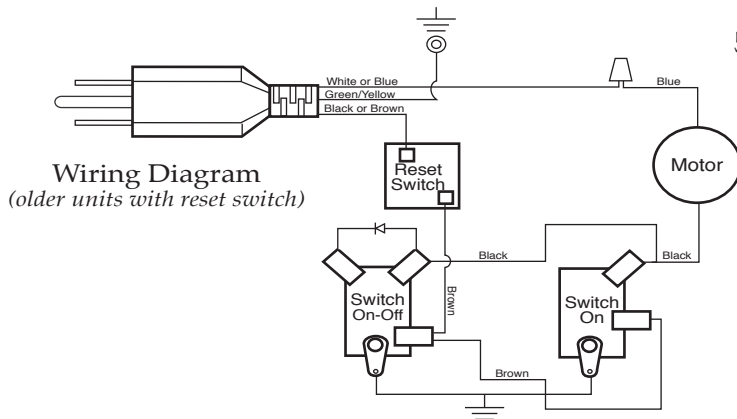
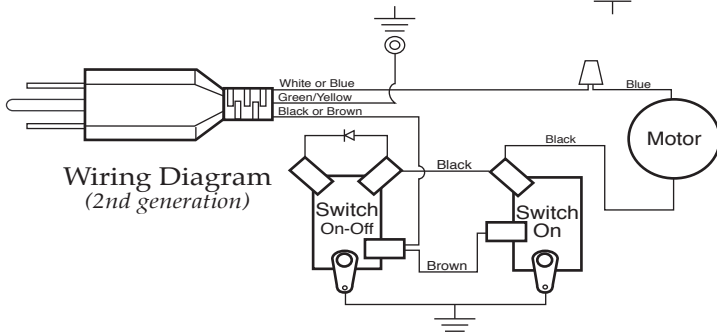
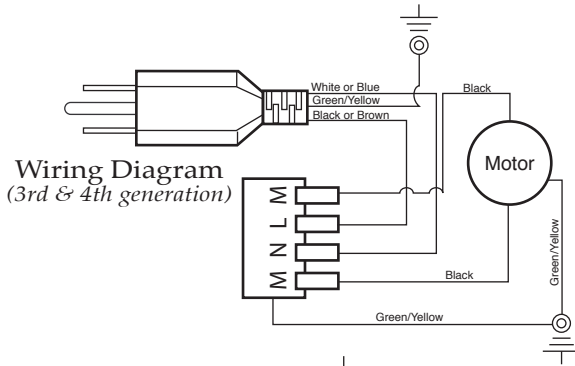
<b>Illustration #</b>	<b>Part #</b>	<b>Description</b>
1	026282-E	Cover Lid
2	026281-V	Jar Lid
3	026280-E	Jar /44 oz. - 5 1/2 cups Eastman-copolyester
4	026284	Jar Seal
5	503377	Blending Assy.
6	026285	Jar Bottom
7	503378	Blade & Shaft Assy.
8	027716	V Seal
9	503358	Bearing Holder /stainless steel
10	030426	Washer /nylon
11	027097	Clutch
12	026852-V	Jar Cover /s.s. container
13	026851	Jar /32 oz. stainless steel
14	027097	Clutch
15	026413 003507	Cap Washer Washer <i>(4th, 3rd, 2nd generation &amp; older units)</i>
16	028209	Switch Assy.
17	026267 028259	Screw 4 Req.'d Screw 4 Req.'d <i>(no longer used)</i>
18	028212	Top Housing <i>(current, 4th &amp; 3rd generation)</i>
19	026269	Upper Motor Mount
20	026841	Rubber Bushing 4 Req.'d
21	026690	Eyelet 4 Req.'d
22	026716	Screw 4 Req.'d
23	029794	ECM Motor 032261 brush & spring 2 Req.'d
24	027278	Screw/ground 1 Req.'d 2 Req.'d <i>(4th generation)</i> 3 Req.'d <i>(3rd generation)</i>
	002436	Screw /ground <i>(2nd generation &amp; older units)</i>
25	002943	Lock Washer 2 Req.'d 4 Req.'d <i>(3rd &amp; 4th generation)</i> 1 Req.'d <i>(older units)</i>
26	013731	Cable Tie 2 Req.'d <i>(current, 4th &amp; 3rd generation)</i>
27	013680	Strain Relief

**Catalog#**

BB180	BB180P	BB180 MT (Type 25) <i>(4th generation)</i>	BB180T	BB180
BB180S	BB180S	BB180S MT (Type 25) <i>(4th generation)</i>		
NDG180	same as BB180	BB180 MT (Type 25) <i>(4th generation)</i>		

**Waring Factory Service Center**  
 314 Ella T. Grasso Ave.  
 Torrington, CT 06790  
 Tele. 1-800-269-6640  
 Fax 860-496-9017  
 www.waringproducts.com

<b>Illustration #</b>	<b>Part #</b>	<b>Description</b>
28	502835	Cord Set
	502828	Cord Set <i>(2nd generation &amp; older units)</i>
30	028580-x	Bottom Housing
	026464	Bottom Housing <i>(3rd &amp; 2nd generation)</i>
	027063	Bottom Housing / has hole of reset switch <i>(older units)</i>
	502919	Bottom Housing with Reset Switch Assy. <i>(older units)</i>
31	026276	Screw 4 Req.'d
32	026278	Suction Cup Foot 4 Req.'d



**Parts No Longer Used** *(limited availability)*

- 026402 - Name Plate
- 026368 - Top Housing
- 502833 - Black Lead Assy.
- 026369 - Switch/momentary On
- 029355 - Switch/Hi-Low-Off
- 012698 - Switch/Hi-Low-Off *(older units)*
- 027053 - Shroud (baffle) *(4th, 3rd & 2nd generation)*
- 026669 - Shroud (baffle) *(older units)*
- Used with 027380 motor*
- 009051 - Wire Nut
- 502834 - Diode Assy. (003262-diode)
- 015098 - Ring Nut 2 Req.'d
- 502890 - Lead Assy. / ground *(3rd generation)*
- 502865 - Ground Lead Assy. *(2nd generation & older units)*
- 502832 - Brown Lead Assy.
- 502921 - Brown Lead Assy. *(older units)*
- 027052 - Reset Switch *(older units)*
- 014604 - Lock Washer *(older units)*
- 015184 - Hex Nut *(older units)*