

# Unit Information

1 HP Motor  
 1750 RPM's  
 660 watts – 5.5 Amps  
 5 Year Motor 2 Year Parts

## Batch Bowl

Holds 2.5 quarts dry ingredients  
 Holds 1.5 quarts wet ingredients

## Continuous Feed

Can process 700 servings in 2.5 hours  
 Can process up to 700 lbs. per hour

# WARING COMMERCIAL®

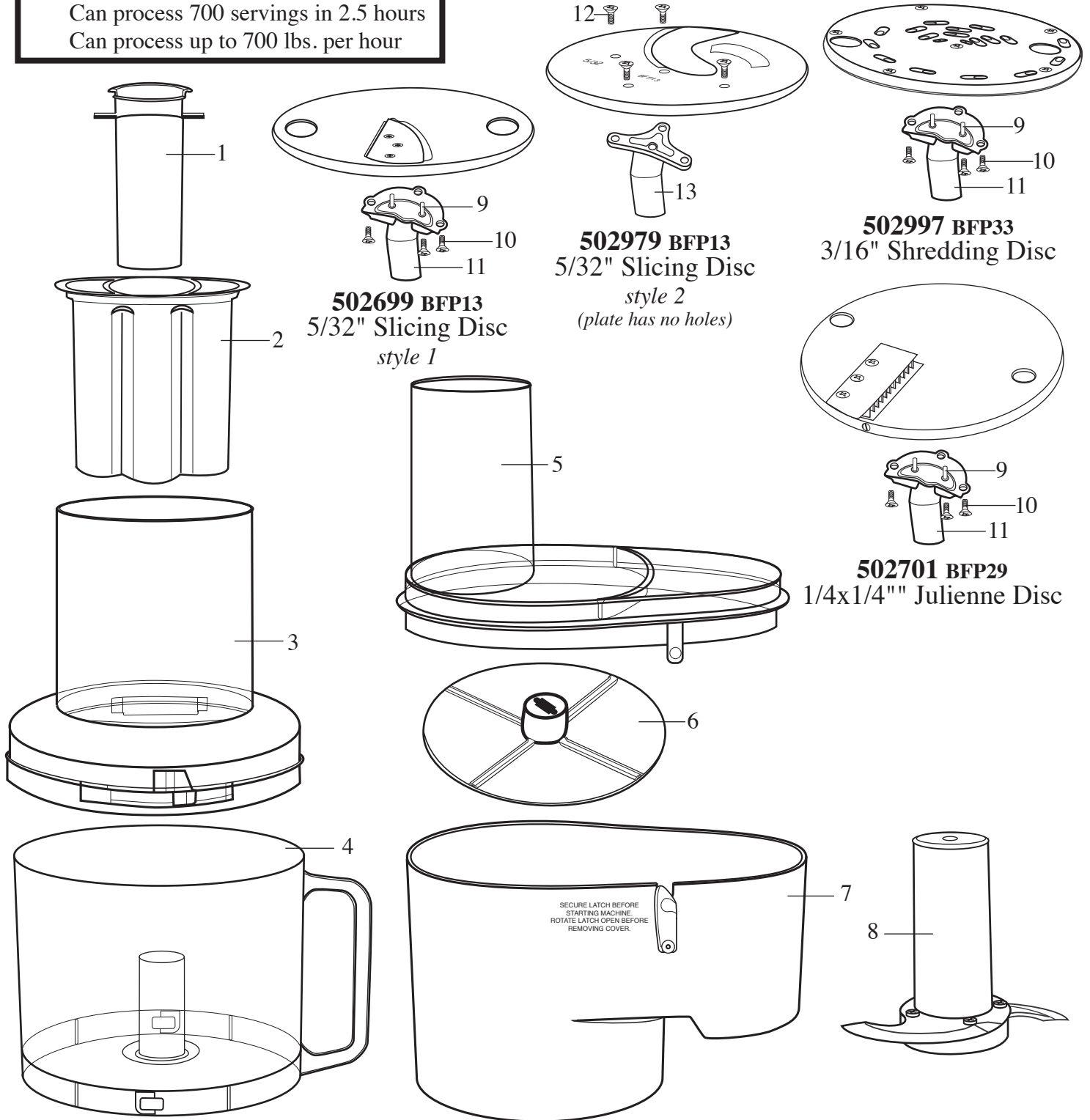
## FP25

/batch bowl only

## FP25C

/batch bowl & continuous feed bowl

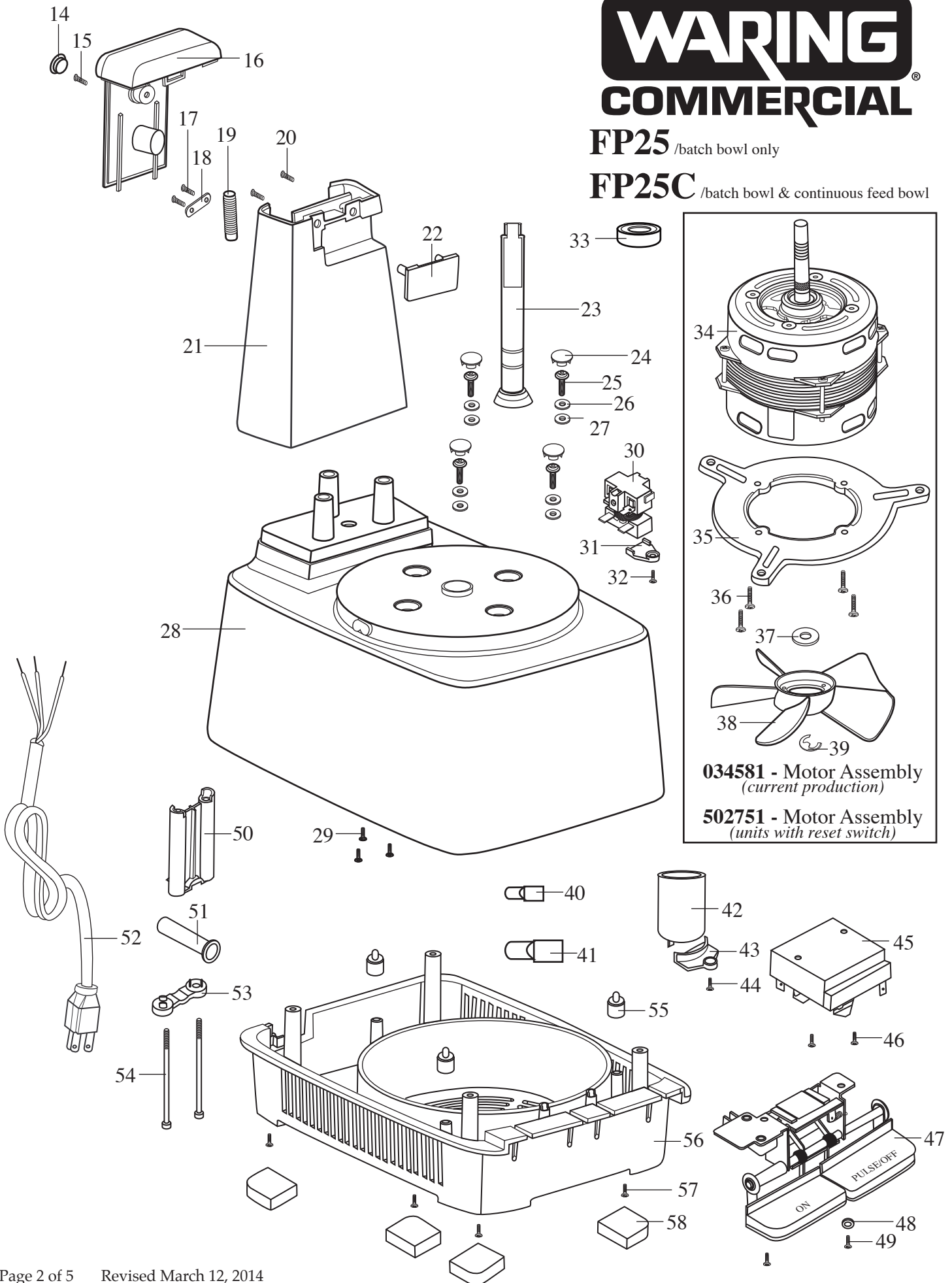
(both current production units comes w/ serrated S-blade, BFP13, BFP33 and BFP29)  
 (both older units came w/ serrated S-blade, BFP13, BFP21 and BFP29)



# WARING COMMERCIAL

**FP25** /batch bowl only

**FP25C** /batch bowl & continuous feed bowl



**034581 - Motor Assembly**  
(current production)

**502751 - Motor Assembly**  
(units with reset switch)

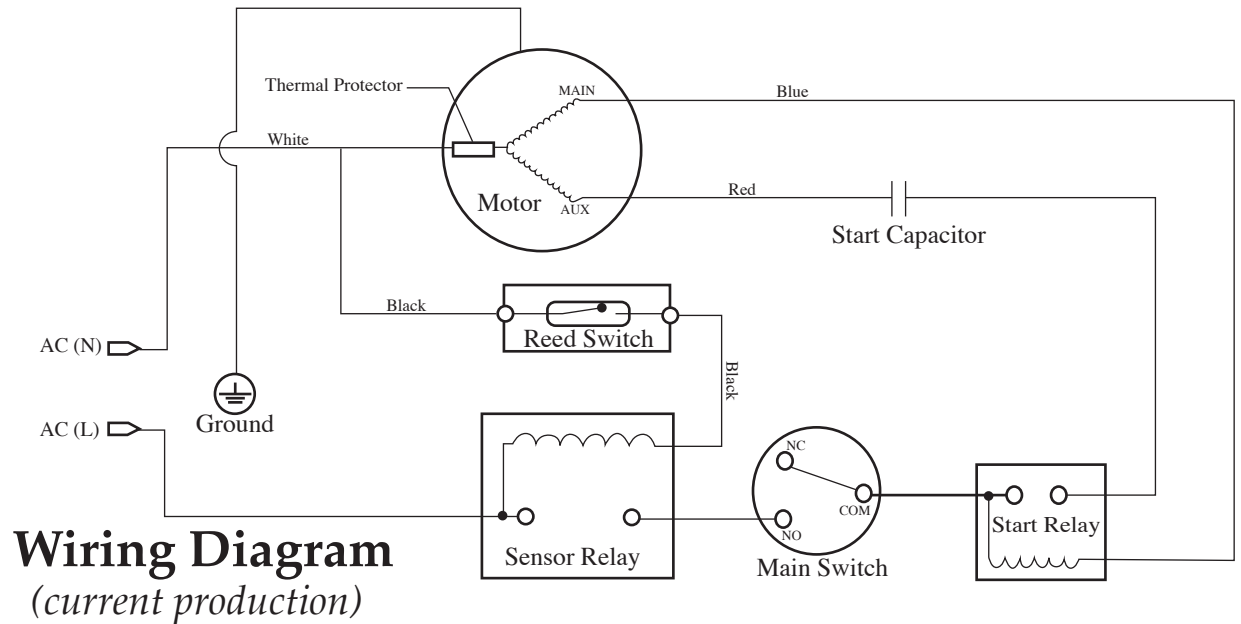
Model/Catalog  
FP25  
FP25C

Waring Factory Service Center  
314 Ella T. Grasso Ave.  
Torrington, CT 06790  
Tele. 1-800-269-6640  
Fax 860-496-9017  
www.waringcommercialproducts.com

Illustration#	Part#	Description
1	025462	Small Pusher
2	025463	Large Pusher
3	025412	Batch Bowl Cover
4	025410 034576	Batch Bowl Stainless Steel Batch Bowl
5	025411	Continuous Feed Cover
6	025477	Ejector Disc
7	025478	Continuous Feed Bowl
8	502691	S Blade Complete
9	025471	Disc Pin (2 required)
10	024734	Screw (3 required)
11	025472	Disc Stem
12	028342	Screw (4 required)
13	028341	Stem
14	025479	Screw Plug
15	024750	Screw
16	034582 025480	Tower Cover (no reset <i>current production</i> ) Tower Cover
17	025482	Screw 2 required)
18	024747	Retainer
19	024749	Magnetic Sensor
20	024750	Screw 2 required)
21	025483	Tower
22	025484	Cover Latch Plate
23	025485	Motor Sheath with Sheath Cover
24	025486	Screw Plug (4 required)
25	024756	Screw (4 required)
26	024757	Washer (4 required)
27	024759	Fiber Washer (4 required)

Illustration#	Part#	Description
28	025487	Upper Housing
29	025488	Screw (3 required)
30	024763	Relay
31	024764	Relay Plate
32	024750	Screw
33	024766	Oil Seal
34	034581 502751	MTP Motor Assembly ( <i>current production</i> ) Motor Assembly (units with reset switch)
35	024768	Motor Support
36	024769	Screw (4 required)
37	024770	Metal Washer
38	024771	Fan
39	024772	E-Ring
40	012409	Small Crimp Connector (6 required)
41	024789	Large Crimp Connector (2 required)
42	024773	Capacitor
43	024774	Capacitor Plate
44	024750	Screw
45	024775	Sensor Relay
46	024762	Screw (2 required)
47	025489	Switch
48	024779	Ground Wire Washer
49	024762	Screw (2 required)
50	025490	Cord Support Clamp
51	024781	Cord Bushing
52	024782	Cord
53	024783	Cord Clamp

Illustration#	Part#	Description
56	024784	Screw (2 required)
57	024785	Motor Pad (3 required)
58	025491	Lower Housing
59	024762	Screw (4 required)
60	024788	Foot (4 required)



**Part No Longer Used**

- 025481 - Nut
- 024745 - Reset Switch

