

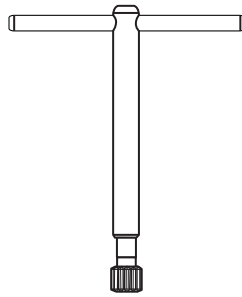
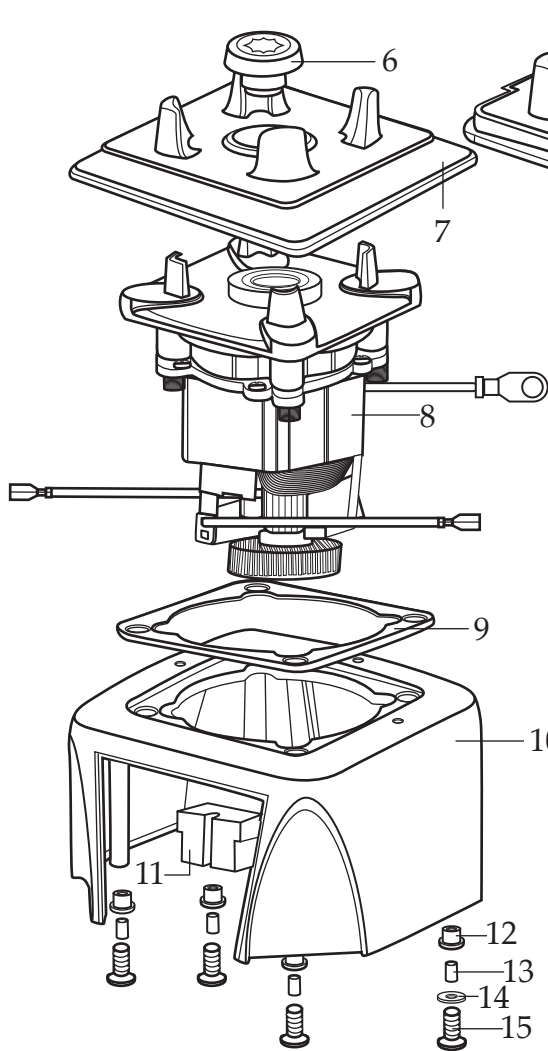
**WARING**  
**COMMERCIAL**

**MX1300XT / MX1500XT**  
64 oz. BPA-Free copolyester container

**MX1300XTP / MX1500XTP**  
32-48 oz. BPA-Free copolyester container

**MX1300XTS / MX1500XTS**  
64 oz. stainless steel container

**MX1300XTWT**  
32-48 oz. BPA-Free copolyester container / Woody's  
*MX1500XT units come with Sound Enclosure*



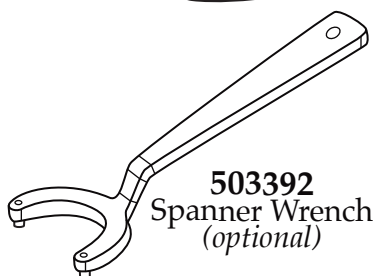
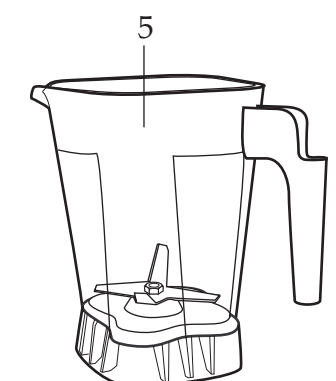
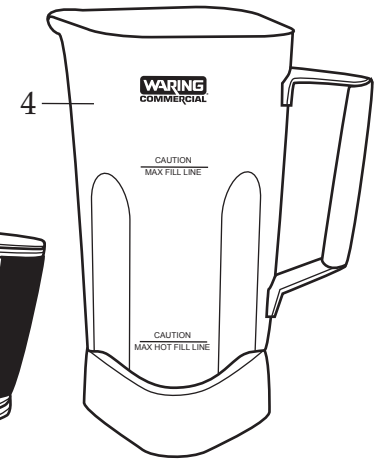
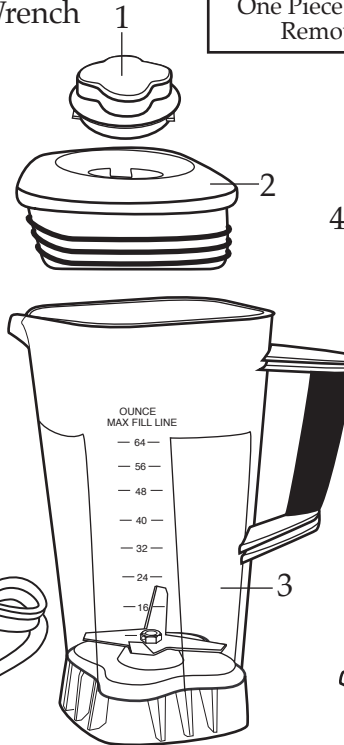
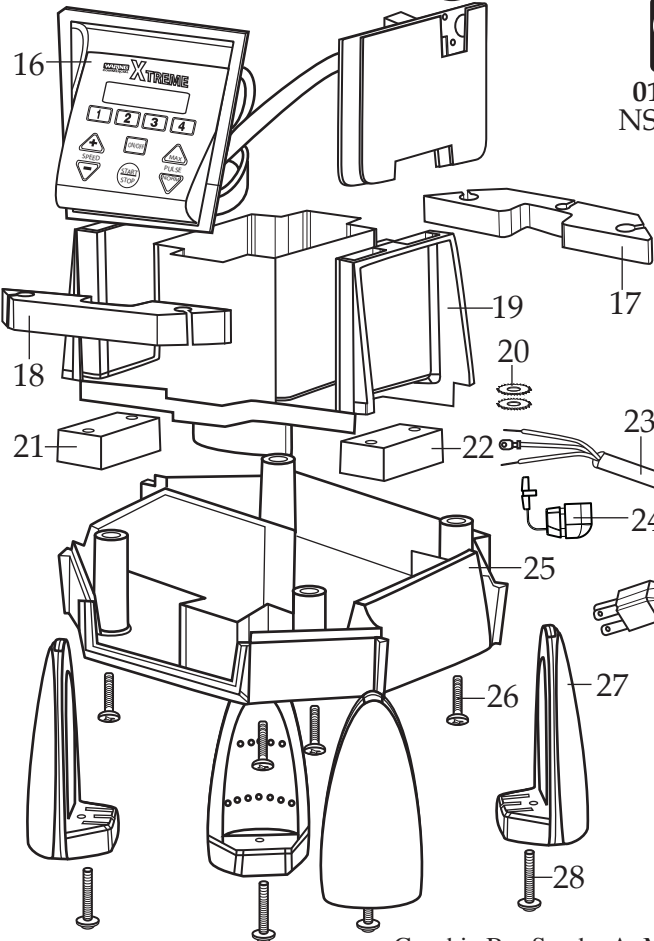
**503351**  
MX Coupling Wrench  
*(optional)*

**Unit Information**

Limited 3 Year Motor Warranty  
Two Year Parts & Labor  
60Hz - 13 Amps - 3.5 HP Motor  
RPM's Maximum 30,000  
Minimum 5,000  
Height 21" - Weight 18 lbs.  
Four Reprogrammable  
One Touch Blending Stations  
One Piece Dishwasher Safe  
Removable Jar Pad



**013304**  
NSF Seal



**503392**  
Spanner Wrench  
*(optional)*

**Catalog**

MX1300XT  
 MX1500XT  
 MX1300XTP  
 MX1500XTP  
 MX1300XTS  
 MX1500XTS  
 MX1300XTWT

**Model**

MX1300XT11  
 MX1500XT12  
 MX1300XTP  
 MX1500XT22  
 MX1300XT31  
 MX1500XTS  
 MX1300XTP



<b>Illustration #</b>	<b>Part #</b>	<b>Description</b>
1	026425-E	Jar Lid Cover
2	026424	Jar Lid
3	503347	Jar with Blending Assy. /64 oz. Eastman
4	503346	Jar with Blending Assy. /64 oz. stainless steel
5	503348	Jar with Blending Assy. /32-48 oz. Eastman
6	028538	Drive Clutch
7	026442	Jar Pad
7a	026443	Jar Pad /use with sound enclosure
8	028101	Motor
9	026437	Dampening Plate Gasket
10	028032-09	Top Housing /black
11	028541	Motor Foam 2 Req.'d
12	026439	Dampening Plate Bushing 4 Req.'d
13	026453	Dampening Plate Sleeve 4 Req.'d
14	026459	Washer
15	028929	Screw 4 Req.'d
	026455	Screw 4 Req.'d (older units)
	026459	Washer 4 Req.'d (older units)
16	028393	Control Panel
17	028248	Housing Foam Baffle /rear
18	028249	Housing Foam Baffle /front
19	028240	Motor Housing
20	002943	Washer 2 Req.'d
21	028247	Bottom Housing Foam Baffle
22	028542	Foam Baffle
23	026925	Cord Set
24	007556	Strain Relief
25	028241-09-x	Bottom Housing /black
26	012505	Screw 4 Req.'d
27	026430	Corner Post 4 Req.'d

**Catalog**

**Model**

MX1300XT	MX1300XT11
MX1500XT	MX1500XT12
MX1300XTP	MX1300XTP
MX1500XTP	MX1500XT22
MX1300XTS	MX1300XT31
MX1500XTS	MX1500XTS
MX1300XTWT	MX1300XTP

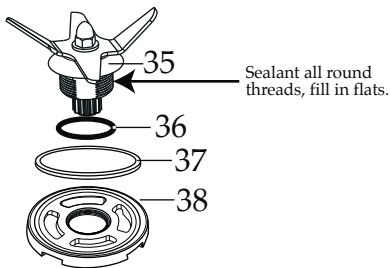
**Waring Factory Service Center**  
 314 Ella T. Grasso Ave.  
 Torrington, CT 06790  
 Tele. 1-800-269-6640  
 Fax 860-496-9017  
 www.waringproducts.com

Illustration #	Part #	Description
28	028928 026459 012505	Screw 4 Req.'d Washer 4 Req.'d (older units) Screw 4 Req.'d (older units)
29	028250 026432	Inner Enclosure /32 oz. Inner Enclosure /64 oz.
30	028251 026433	Outer Enclosure /32 oz. Outer Enclosure /64 oz.
31	027447	O Ring 2 Req.'d
32	026461	Screw 3 Req.'d
33	026434	Sound Enclosure Handle
34	012505	Screw 2 Req.'d
35	503345	Blade Assy.
36	024271	O Ring
37	024268	Nut Gasket
38	029631	Bearing Holder Nut
39	026423-E	64 oz. Eastman Container
40	029003-E	32-48 oz. Eastman Container

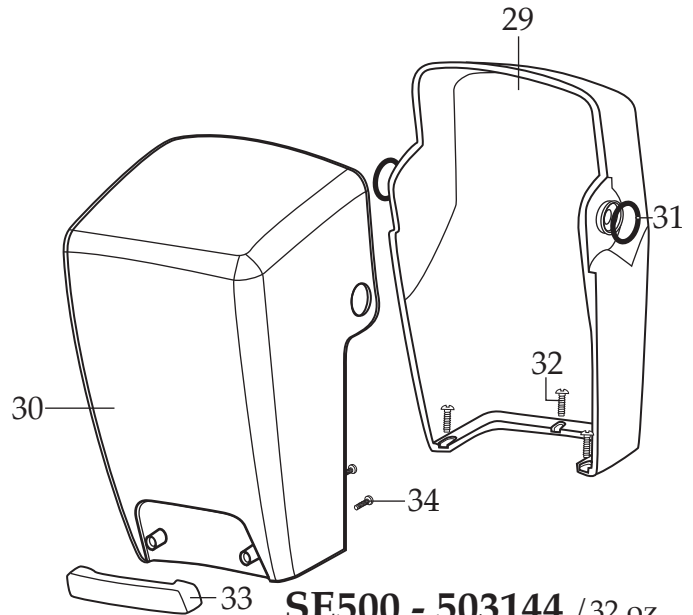
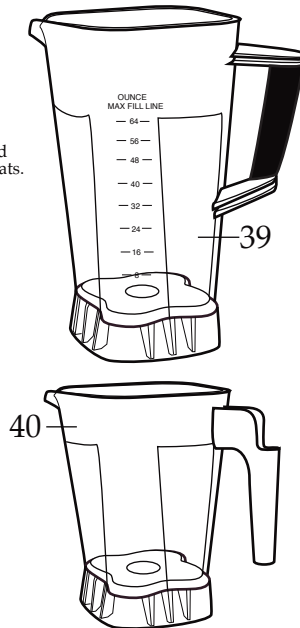
**Notes for 503347 & 503348 :**

Torque 100-125 in./lbs

Sealant all around the threads, fill in flats.  
 Dow Corning Sealant RTV 733



**031060**  
 Blending Assy. Kit



**SE500 - 503144** /32 oz.  
**SE1000 - 502962** /64 oz.

**503347 and 503348 - Eastman Containers**

**Catalog**

**Model**

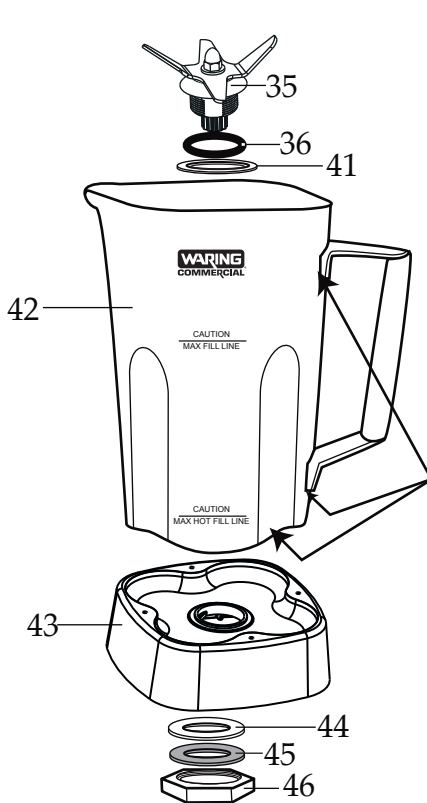
MX1300XT	MX1300XT11
MX1500XT	MX1500XT12
MX1300XTP	MX1300XTP
MX1500XTP	MX1500XT22
MX1300XTS	MX1300XT31
MX1500XTS	MX1500XTS
MX1300XTWT	MX1300XTP

**Waring Factory Service Center**  
 314 Ella T. Grasso Ave.  
 Torrington, CT 06790  
 Tele. 1-800-269-6640

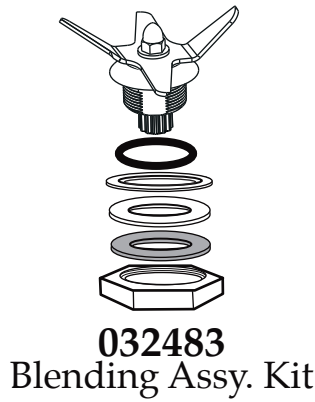
Fax 860-496-9017  
 www.waringproducts.com

Illustration #	Part #	Description
----------------	--------	-------------

41	026798	Support Washer
42	026648	64 oz. Containter / stainless steel
43	026649	Container Support
44	026797	Bearing Holder Gasket
45	026796	Bearing Holder Washer
46	026795	SS Jar Bearing Holder Nut



Sealant applied all round these indicated areas.



**028595**  
Woody Label/MX1300XTWT

**503346 - Stainless Steel Container**

**Notes for 503346 :**

- Torque 100-125 in/lbs
- Sealant applied all around indicated areas.  
Dow Corning Sealant RTV 733
- Lubricant applied to O Ring  
Dow Corning 200 (R) Fluid

