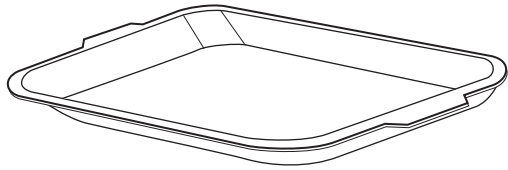


WARING COMMERCIAL®

Double Belgian Waffle Maker WW200



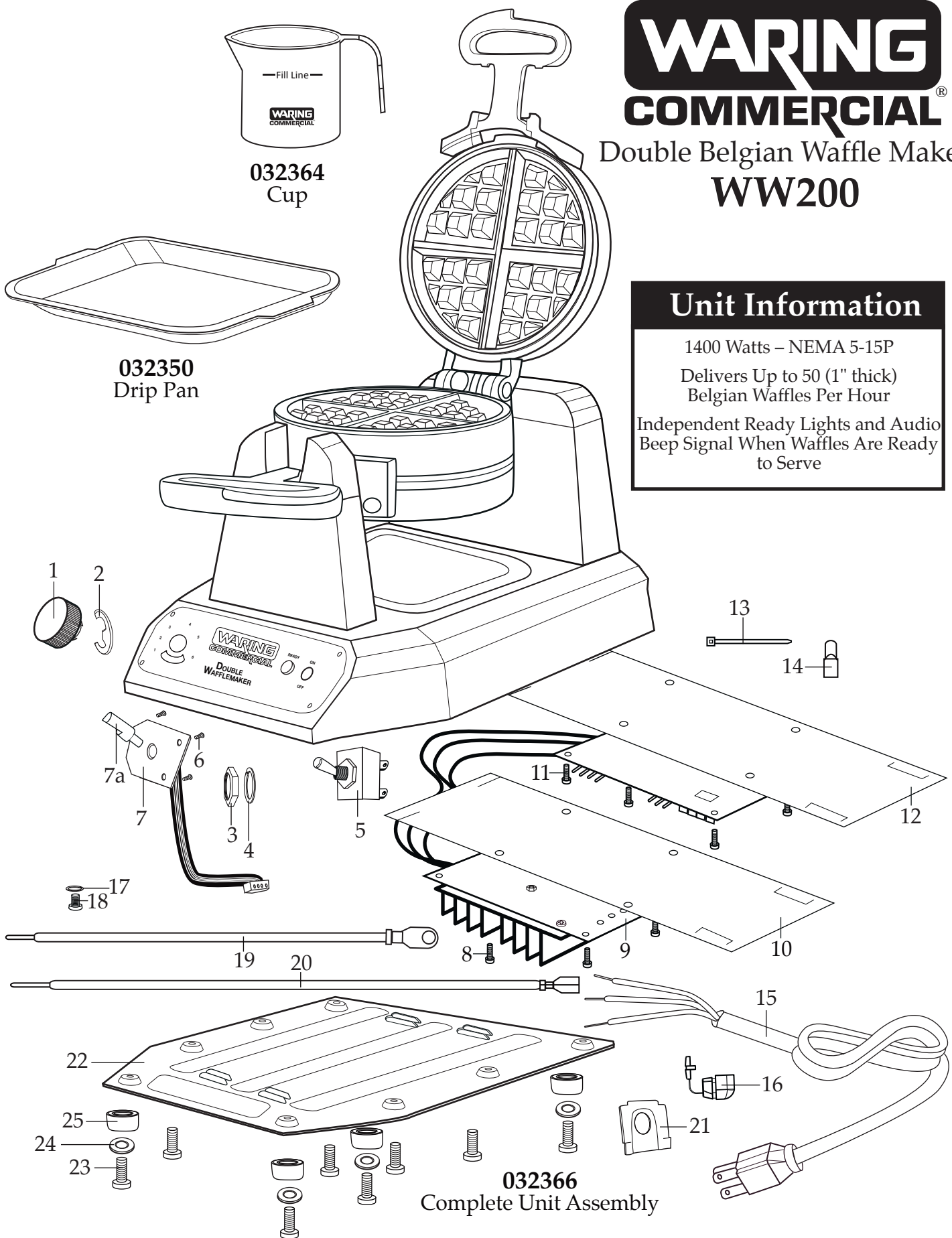
032364
Cup



032350
Drip Pan

Unit Information

1400 Watts – NEMA 5-15P
 Delivers Up to 50 (1" thick)
 Belgian Waffles Per Hour
 Independent Ready Lights and Audio
 Beep Signal When Waffles Are Ready
 to Serve



032366
Complete Unit Assembly

Illustration #	Part #	Description
1	032352	Browning Control Knob
2	032362	E Ring
3	016236	Hex Nut
4	032356	Washer
5	032368	On-Off Toggle Switch
6	032359	Screw (3 required)
7	032358	Darkness Control Panel w/ Long Lead Tape (thermostat)
7a	034162	Connector Pole
8	032359	Screw (4 required)
9	032369	PCB Board and Power Board Assembly
10	032357	Power Board Shield
11	032359	Screw (4 required)
12	032357	PCB Board Shield
13	013731	Wire Tie (5 required)
14	019123 012409	Large Crimp Connector Small Crimp Connector (3 required)
15	032363	Cord Set
16	032361	Strain Relief
17	032360	Ground Spring Washer (2 required)
18	035298	Ground Screw (2 required)
19	032370	Green Lead
20	032367	Red Lead
21	032371	Cord Plate
22	032351	Bottom Plate
23	032355	Screw (8 required)
24	032354	Foot Washer (4 required)
25	032353	Foot (4 required)