


Unit Information

WFG150, WPG150 1800 Watts - 120 volt  NEMA 5-15

WPG150B 2400 Watts - 208 volt  NEMA 6-20

WFG150C, WPG150C 1800 Watts - 120 volt  NEMA 5-20

Grill takes about 10 minutes to warm up.

The WPG150B will heat-up and recover 25% faster than the WFG150.

9.75" x 9.25" Cooking Surface

Flat or Ribbed Cast Iron Plates

WARING COMMERCIAL®

WFG150

single flat grill

WFG150C

Canadian single flat grill

WPG150

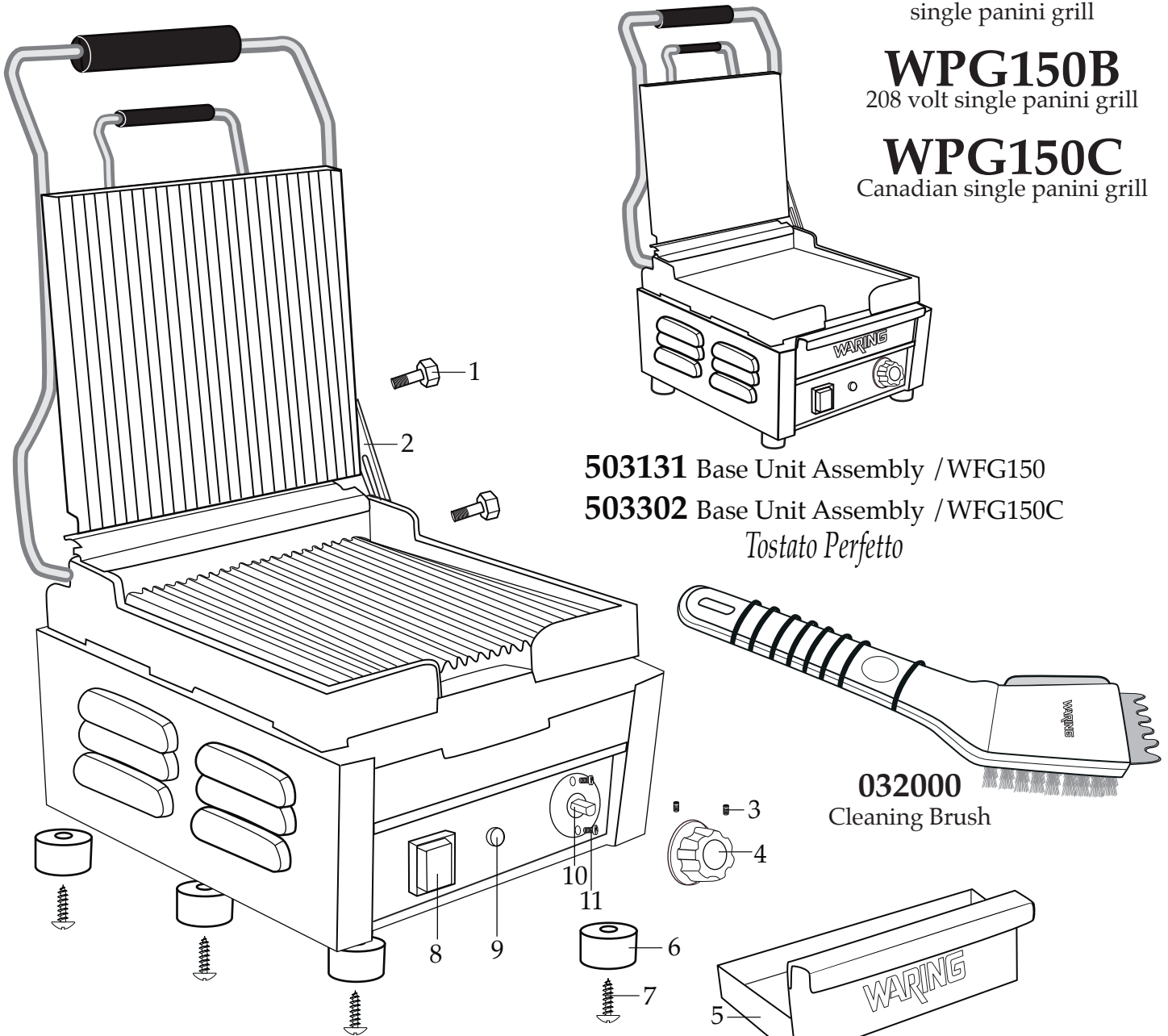
single panini grill

WPG150B

208 volt single panini grill

WPG150C

Canadian single panini grill



503131 Base Unit Assembly / WFG150

503302 Base Unit Assembly / WFG150C

Tostato Perfetto

503132 Base Unit Assembly / WPG150

503244 Base Unit Assembly / WPG150B

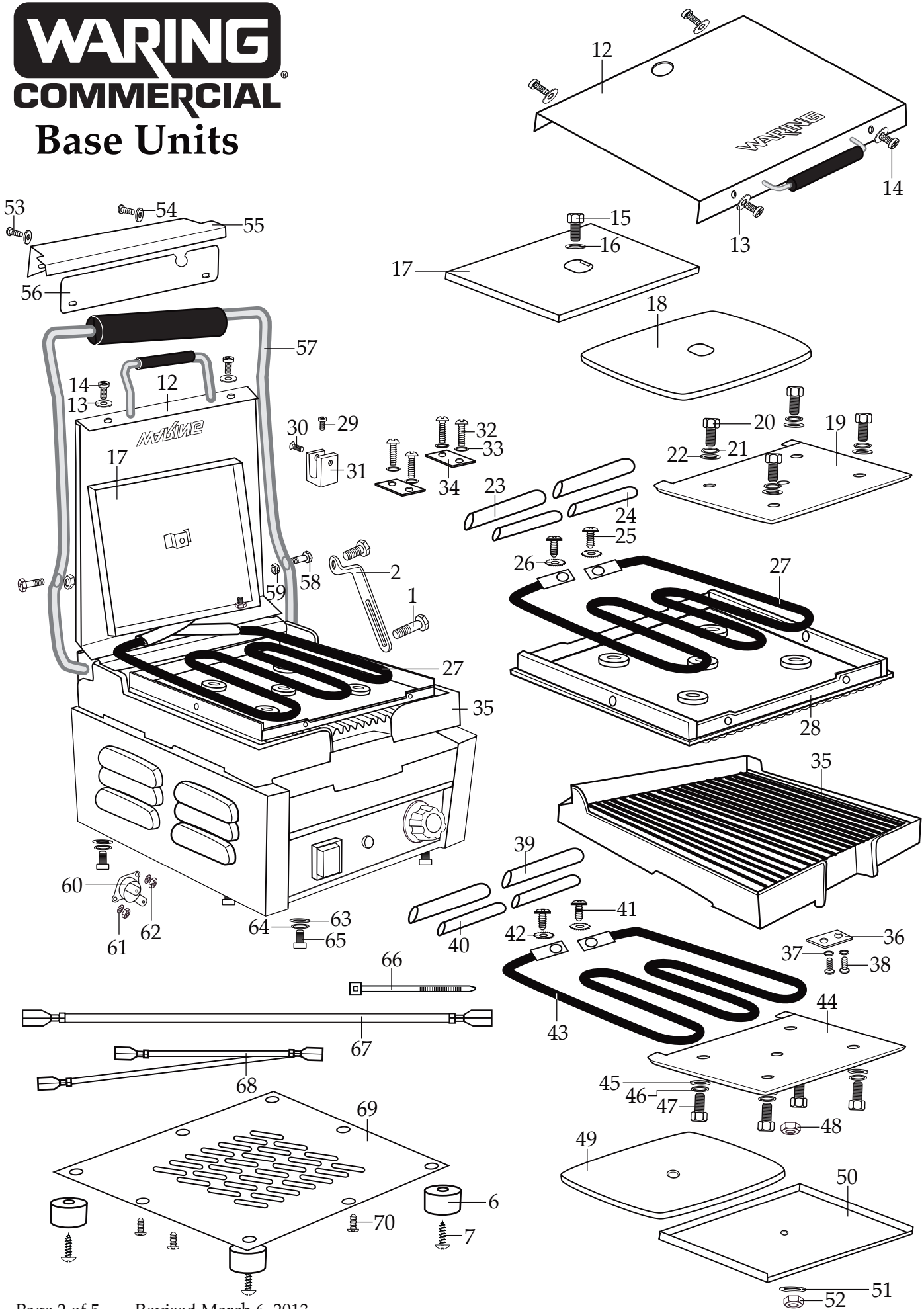
503303 Base Unit Assembly / WPG150C

Panini Perfetto

032000
Cleaning Brush

029824
5/32" Short Arm Hex Key
Allen Wrench

WARING COMMERCIAL® Base Units



Catalog/Model

WFG150 WPG150
WFG150C WPG150B
 WPG150C



Illustration #	Part #	Description
1	028625	Pivot Bracket Screw Set (1 small and 1 large)
2	028624	Pivot Bracket
3	028627	Set Screw (2 required)
4	028626	Control Knob
5	029502	Drip Tray
6	028622	Foot (4 required)
7	028623	Foot Screw (4 required)
8	029477 029478	On-Off Switch On-Off Switch / WPG150B
9	029941 030018	Indicator Light Indicator Light for WPG150B
10	029942 030013	Thermostat Thermostat for WPG150B
11	029943	Thermostat Screw (2 required)
12	029944	Cover
13	029946	Washer (4 required)
14	029947	Screw (4 required)
15	029950	Hex Head Bolt
16	029951	Washer
17	029952	Top Insulation Plate
18	029948	Top Insulation
19	029954	Top Element Plate
20	029962	Hex Head Bolt (4 required)
21	029963	Spring Washer (4 required)
22	029964	Washer (4 required)
23	029956	Fiber Sleeve (2 required)
24	029957	Plastic Sleeve (2 required)
25	029958	Screw (2 required)
26	029959	Washer (2 required)
27	029960 030015	Top Element Top Element for WPG150B
28	029966 029965	Top Flat Grill Plate Top Ribbed Grill Plate

Catalog/Model

WFG150 WPG150
WFG150C WPG150B
WPG150C

Waring Factory Service Center
314 Ella T. Grasso Ave.
Torrington, CT 06790
Tele. 1-800-269-6640
Fax 860-496-9017
www.waringcommercialproducts.com

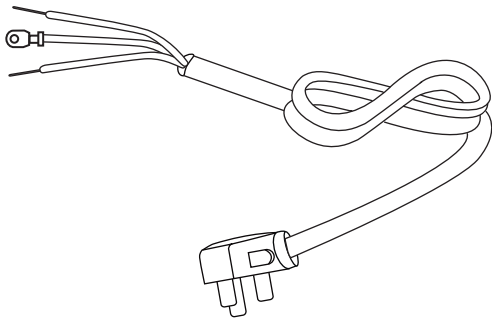
Illustration #	Part #	Description
29	030054	Screw
30	030055	Tension Screw
31	030056	Tension Bracket
32	029992	Screw (4 required)
33	029993	Spring Washer (4 required)
34	029994	Large Handle Bracket (2 required)
35	029970	Bottom Flat Grill Plate
	029969	Bottom Ribbed Grill Plate
36	029973	Thermostat Bracket
37	029974	Washer (2 required)
38	029975	Screw (2 required)
39	029956	Fiber Sleeve (2 required)
40	029957	Plastic Sleeve (2 required)
41	029958	Screw (2 required)
42	029959	Washer (2 required)
43	029976	Bottom Element
	030016	Bottom Element for WPG150B
44	029978	Bottom Element Plate
45	029964	Washer (4 required)
46	029963	Spring Washer (4 required)
47	029962	Hex Head Bolt (4 required)
48	029980	Nut
49	029981	Bottom Insulation
50	029983	Bottom Insulation Plate
51	029951	Washer
52	029980	Nut
53	029985	Screw (2 required)
54	029986	Washer (2 required)
55	029987	Rear Cover with Tension Cover
56	029988	Rear Cover Plate with Tension Hole
57	029989	Large Handle
58	029990	Hex Head Screw (2 required)


Catalog/Model

WFG150 WPG150
WFG150C WPG150B
 WPG150C

Waring Factory Service Center
314 Ella T. Grasso Ave.
Torrington, CT 06790
Tele. 1-800-269-6640
Fax 860-496-9017
www.waringcommercialproducts.com

Illustration #	Part #	Description
59	029991	Handle Nut (2 required)
60	029996	Thermal Cut-off
	030014	Thermal Cut-off for WPG150B
61	029997	Washer (2 required)
62	029998	Nut (2 required)
63	029999	Washer (4 required)
64	030000	Spring Washer (4 required)
65	030001	Bolt (4 required)
66	013731	Wire Tie (7 required)
67	030003	17" Red Lead
68	030004	Red and White Lead (joined)
69	030005	Bottom Housing Plate
70	030006	Screw (4 required)



033681 - Cord 120 volt NEMA 5-15 

033682 - Cord 208 Volt NEMA 6-20 

033683 - Cord Canadian Unit NEMA 5-20 

*** Certified replacement of the cord set can only be performed by an Authorized Service Center or the Waring Factory Service Center.**

033053 - Coil

