

Selecting
the perfect
hose reel





Why hose reels?

When it comes to efficient, effective cleaning with less risk and zero hassle, hose reels are an ideal washdown solution for a variety of settings. Areas like foodservice prep and cooking stations, educational and healthcare facilities, loading docks, food processing plants and more can all benefit from the power and precision a hose reel provides.



JANITORIAL



MANUFACTURING



MEDICAL



RESTAURANTS



LOADING DOCKS



AUTOMOTIVE



MAINTENANCE



EDUCATIONAL



FOOD PROCESSING



CONVENIENCE STORES



TRUCK STOPS



BREWERY/WINERY

Instead of struggling with traditional hoses or mops and buckets, hose reels offer a more convenient, safer method for rinsing out equipment, washing down floors and clearing heavy industrial debris.

Avoid the clutter, safety risks and other limitations tied to traditional hoses like these.



Proud to lead the industry.

T&S is the only company in the industry that designs and manufactures hose reels under one roof — while the competition continues to outsource their products, compromising quality and reliability. Trust T&S for high-quality, dependable hose reels you can count on.

MORE ERGONOMIC

There's no need to manually wind a hose or fumble with mops and buckets.

SAFER

Hose reels eliminate the risk of employees tripping over an unwound hose.

MORE FLEXIBLE

Designed to install anywhere, including overhead and in tight spaces, hose reels allow you to clean easier and faster.

MORE EFFECTIVE

With powerful cleaning options available, hose reels are a more sanitary choice than mops and buckets.

MORE COST-EFFICIENT

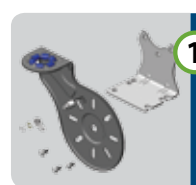
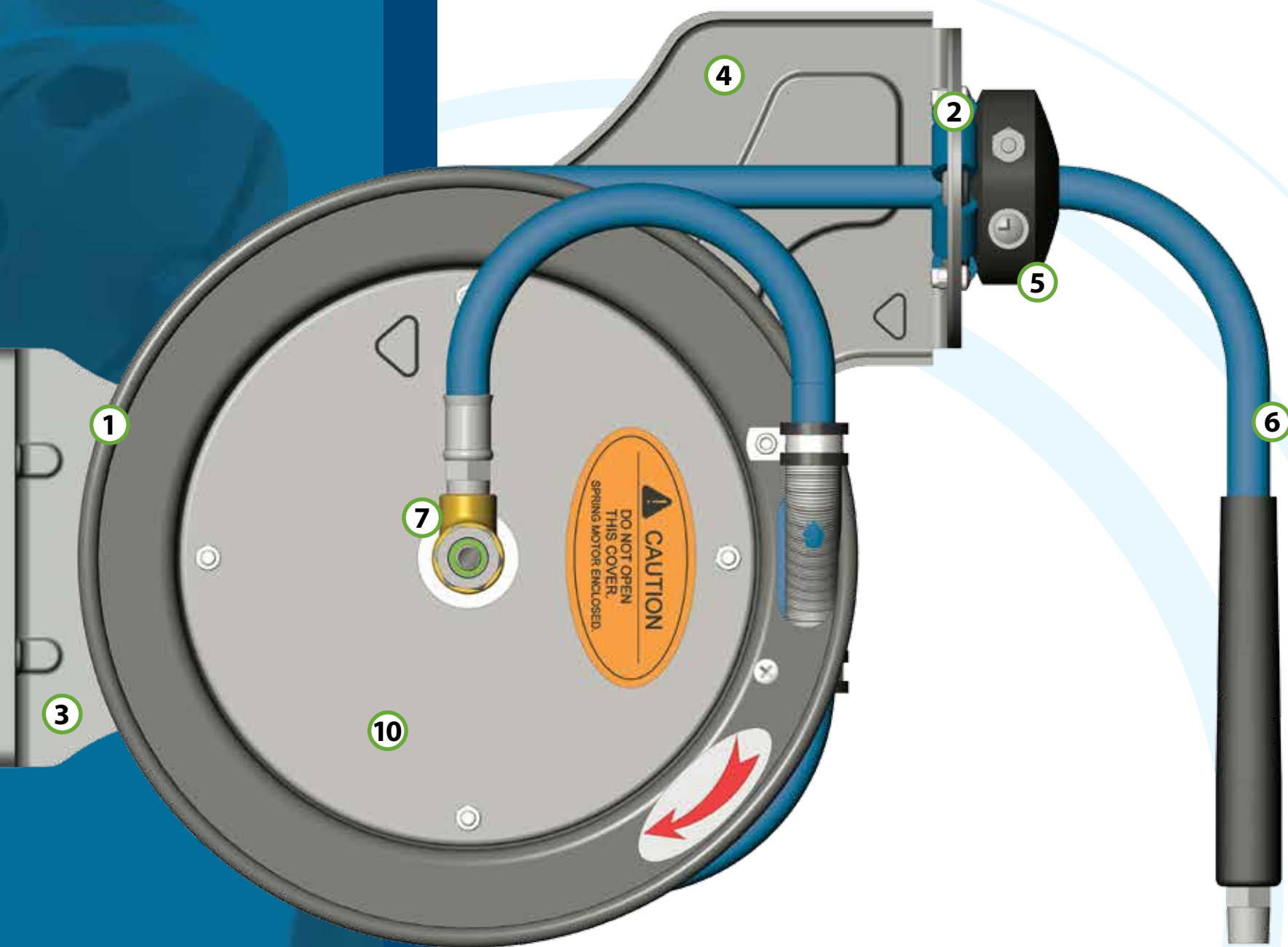
Hose reels are designed to last longer and clean better than other methods, saving water and helping reduce labor and material costs.

BETTER LOOKING

By eliminating clutter and keeping equipment neatly organized and accessible, hose reels are an excellent way to maintain a clean, well-kept area.

Why choose T&S?

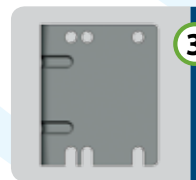
See what makes T&S hose reels the trusted choice for customers around the world.



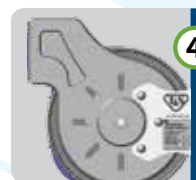
1 DURABLE CONSTRUCTION
Built for heavy use, every T&S hose reel features 3/16"-thick drum supports, bases and arms complete with indentation and rolled edges for added strength. And with no trap points, the unit is less likely to rust over time.



2 PROTECTED HOSE OUTLET
All T&S hose reels feature extra protection around the hose outlet to facilitate free movement in any direction across guide bushings or rollers, extending the life of the hose jacket. Most of our hose reels are engineered with a 6-roller hose outlet, providing 360° mobility.



3 MOUNTING BASE
With extra holes and slots, our functional mounting base simplifies installations, and allows hose reels to be installed by a single individual. Plus, the base matches up quickly to existing patterns for easy retrofits.



4 ADJUSTABLE ARM
While other brands only allow the guide arm to move to four positions, T&S gives you up to eight positions with our 15', 30', 35' and 50' hose lengths for maximum flexibility.



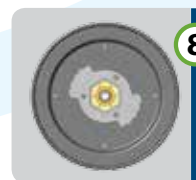
5 STOP
Fully adjustable for maximum convenience, the stop not only prevents the hose from retracting completely into the reel, it also gives users the option to choose how much hose should hang for easy reach.



6 HOSE
T&S hoses feature a nitrile tube, which is more durable than most competitors' rubber models, and are also reinforced by a high tensile steel wire braid that prevents kinking and hose jacket failure. Plus, our oil-resistant, non-marking jacket won't leave marks on the floor after washdowns are complete.



7 BRASS SWIVEL ON STAINLESS STEEL SHAFT
This feature eliminates a condition known as galling, where excessive friction results in localized welding and splitting, rendering the hose reel unusable.



8 IMPACT-RESISTANT RATCHETING ASSEMBLY
Designed for extended service life, the durable ratchet plate is formed from 1/4" corrosion-resistant stainless steel, while the ratchet pawl is robust to withstand the stress of the tightened spring. *(not shown in diagram)*



9 ANTI-LOCKOUT RATCHET DESIGN
When the hose is fully extended, this innovative ratchet pawl allows it to retract freely. *(not shown in diagram)*



10 STEEL MAINSPRING ENCLOSURE
Unlike some competitors' models, T&S hose reels feature an enclosed spring case to allow for safe and hassle-free replacement.

Consider your options.

Once you've seen the full range of possibilities available from T&S, configuring your hose reel might seem like a daunting task. The truth is, we make it easy for you to work through your choices step-by-step to create the final product that's right for you.

In this section, you'll consider exactly what your needs and preferences are, specifically regarding the reel itself, hose length and diameter, outlet devices, mounting brackets and other components. Please keep in mind that there are a few limitations when combining options.

Keep in mind:

The following options represent our entire hose reel line, but not all combinations are available. Please reference the chart on Page 5 for clarification on availability.

How to choose?

PREFERENCE

Reel Series – open or closed
 Reel Material – stainless steel or epoxy coated steel

PURPOSE

Hose length – 12', 15', 30', 35', 50'
 Hose diameter – 3/8", 3/4"
 Outlet device – 12 model choices

➤ Open or closed?



How to choose?

An open reel configuration allows visibility and easy access for cleaning, while a closed reel keeps everything out of sight. This is purely an aesthetic decision, giving you the flexibility to choose what's best for your facility.

➤ Stainless or epoxy coated steel?

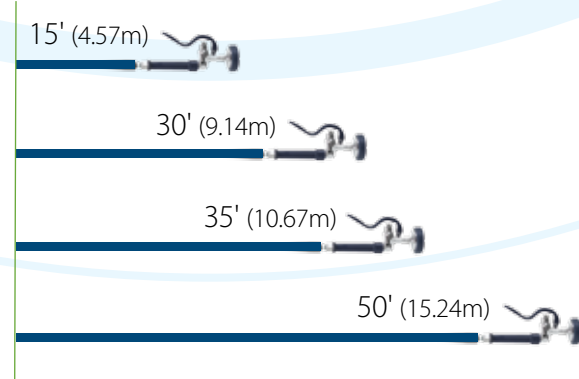


How to choose?

Our stainless reels are made from true stainless steel, which is highly durable and corrosion-resistant. On the other hand, our epoxy coated reels are a less expensive alternative while still providing long-lasting durability thanks to a two-part epoxy coating that lasts longer than paint.

When choosing between stainless or epoxy coated steel, consider your environment — for example, environments with high humidity or high salt levels such as those found in coastal areas or on cruise ships make corrosion-resistant stainless an ideal choice.

➤ Hose length



How to choose?

T&S offers four different hose lengths: 15', 30', 35' and 50'. To determine the length you need, first consider where you plan to install the hose reel, as well as the location of the nearest water line access. Then measure how far the installation is from the furthest point that needs to be cleaned.

Depending on the size of the cleaning area and the number of water lines available, multiple hose reels may make cleaning more efficient.



We also offer a special 12' Compact Stainless Steel Hose Reel (B-7102), an open design with a 3/8" hose diameter. This smaller configuration is ideal for rinsing dishwashers, cleaning combi ovens or filling service holding/warming tables — and with a more pliable hose, it's easy to maneuver in even the tightest spaces. The compact design of the B-7102 also makes it perfect for under-counter installations.

more options

Hose diameter

Your hose diameter determines your flow rate, in conjunction with your choice of outlet device and the existing water pressure. All T&S hoses are rated to 300 PSI.

Options: _____

3/8" DIAMETER standard for most specifications involving washdown or pre-rinse

3/4" DIAMETER allows for large-scale, heavy industrial cleaning and other applications where higher water volume is required



Please note that our 3/4" option is only available with an open, epoxy coated steel reel and a 50' hose.

Outlet device

Using the chart below, choose from the following outlet device options available for your hose reel.

When selecting an outlet device, keep in mind the size of the item or area to be washed, as well as how the operator might hold the device while in use. Considering the easiest position ahead of time will allow for maximum comfort and efficiency later.

OUTLET DEVICE _____

OUTLET DEVICE OPTIONS:	DESCRIPTION:	GREAT FOR:	OTHER CONSIDERATIONS:
EB-0107 	Spray Valve Modeled after the popular B-0107 spray valve, the EB-0107 offers the same design and reliability but with a more powerful flow.	Multi-purpose use (cleaning out dish machines and other equipment along with general kitchen washdown).	
B-0108-H 	Spray Valve Modeled after the popular B-0108 spray valve, the B-0108-H offers the same design and reliability but with a more powerful flow. A heat resistant blue rubber cover is included.	Multi-purpose use (cleaning out dish machines and other equipment along with general kitchen washdown).	Ergonomic design allows for easier actuation.
MV-2522 * Preferred Choice 	Front Trigger Water Gun This front trigger model features a trigger guard, protecting the squeeze handle if someone drops the water gun. Its extremely heavy-duty stainless steel construction is designed for extended service life, while its adjustable stream easily shifts from solid to soft spray. A heat resistant blue rubber cover is included.	Powerful washdown of larger or more soiled areas.	Front trigger is more ergonomic, as well as easier for any needed throttling or finessing of the spray pattern.
MV-2516 	Rear Trigger Water Gun This rear trigger model features extremely heavy-duty stainless steel construction and is designed for extended service life, while its adjustable stream easily shifts from solid to soft spray. A heat resistant blue rubber cover is included.	Powerful washdown of larger or more soiled areas.	
EB-2322 	Extended Spray Wand This model allows you to apply water pressure right on the floor or in tighter areas without straining to reach. It includes a self-closing squeeze valve, removable spray head and extended handle.	Cleaning tiles and grout; anywhere more precision work in tighter areas is needed.	Users can adjust the spray pattern for pinpoint or wider spray.
MV-3516 	Rear Trigger Water Gun This rear trigger model features heavy-duty lightweight aluminum construction with an adjustable stream that easily shifts from solid to soft spray. A heat resistant blue rubber cover is included.	Powerful washdown of larger or more soiled areas, but where less long-term durability is required.	Less expensive alternative.

Keep in mind:

The following options represent our entire hose reel line, but not all combinations are available. Please reference the chart on Page 5 for clarification on availability.

If the hose reel will be used for pre-rinsing of any kind in addition to washdowns, the pre-rinsing spray valve must be EPA 2005-compliant with a flow rate of 1.6 gpm or less. Please ask about our complete line of EPA 2005-compliant spray valves to serve your specific needs.

more options

The options presented in this brochure represent our entire hose reel line, but please note that not all combinations are available. This chart outlines the combinations we currently offer.

SPRAY VALVE / WATER GUN OPTION (Flow Rates @ 60 PSI)

	EB-0107 -01 suffix	B-0107 -01M suffix	MV-2516-24 -02 suffix	MV-2516-34 -03 suffix	MV-2516-44 -04 suffix	MV-2522-24 -05 suffix	MV-2522-34 -06 suffix	MV-2522-44 -07 suffix	B-0108-H -08H suffix	B-0108 -08M suffix	EB-2322 -10 suffix	MV-3516-24 -11 suffix
B-7102 3/8" x 12'	B-7102-01 (3.5 GPM/13.25 LPM)	B-7102-01M (1.42 GPM/5.38 LPM)							B-7102-08H (3.3 GPM/12.49 LPM)	B-7102-08M (1.48 GPM/5.6 LPM)		
B-7112 3/8" x 15'	B-7112-01 (3.7 GPM/14 LPM)	B-7112-01M (1.42 GPM/5.38 LPM)				B-7112-05 (4.8 GPM/18.17 LPM)			B-7112-08H (3.6 GPM/13.63 LPM)	B-7112-08M (1.48 GPM/5.6 LPM)	B-7112-10 (4.2 GPM/15.9 LPM)	
B-7122-C 3/8" x 30'	B-7122-C01 (3.5 GPM/13.15 LPM)	B-7122-C01M (1.42 GPM/5.38 LPM)	B-7122-C02 (4.3 GPM/16.28 LPM)			B-7122-C05 (4.3 GPM/16.28 LPM)			B-7122-C08H (3.3 GPM/12.49 LPM)	B-7122-C08M (1.48 GPM/5.6 LPM)	B-7122-C10 (3.9 GPM/14.76 LPM)	
B-7132 3/8" x 35'	B-7132-01 (3.4 GPM/12.87 LPM)	B-7132-01M (1.42 GPM/5.38 LPM)	B-7132-02 (4.1 GPM/15.52 LPM)			B-7132-05 (4.1 GPM/15.52 LPM)			B-7132-08H (3.2 GPM/12.11 LPM)	B-7132-08M (1.48 GPM/5.6 LPM)	B-7132-10 (3.6 GPM/13.63 LPM)	
B-7142 3/8" x 50'	B-7142-01 (3.2 GPM/12.11 LPM)	B-7142-01M (1.42 GPM/5.38 LPM)	B-7142-02 (3.7 GPM/14 LPM)			B-7142-05 (3.7 GPM/14 LPM)			B-7142-08H (3.0 GPM/11.36 LPM)	B-7142-08M (1.48 GPM/5.6 LPM)	B-7142-10 (3.4 GPM/12.87 LPM)	
B-7142-C 3/8" x 50'	B-7142-C01 (3.2 GPM/12.11 LPM)	B-7142-C01M (1.42 GPM/5.38 LPM)	B-7142-C02 (3.7 GPM/14 LPM)			B-7142-C05 (3.7 GPM/14 LPM)			B-7142-C08H (3.0 GPM/11.36 LPM)	B-7142-C08M (1.48 GPM/5.6 LPM)	B-7142-C10 (3.4 GPM/12.87 LPM)	
B-7212 3/8" x 15'	B-7212-01 (3.7 GPM/14 LPM)	B-7212-01M (1.42 GPM/5.38 LPM)	B-7212-02 (4.8 GPM/18.17 LPM)			B-7212-05 (4.8 GPM/18.17 LPM)			B-7212-08H (3.6 GPM/13.63 LPM)	B-7212-08M (1.48 GPM/5.6 LPM)	B-7212-10 (4.2 GPM/15.9 LPM)	B-7212-11 (4.7 GPM/17.79 LPM)
B-7222-C 3/8" x 30'	B-7222-C01 (3.5 GPM/13.15 LPM)	B-7222-C01M (1.42 GPM/5.38 LPM)	B-7222-C02 (4.3 GPM/16.28 LPM)			B-7222-C05 (4.3 GPM/16.28 LPM)			B-7222-C08H (3.3 GPM/12.49 LPM)	B-7222-C08M (1.48 GPM/5.6 LPM)	B-7222-C10 (3.9 GPM/14.76 LPM)	B-7222-C11 (4.2 GPM/15.9 LPM)
B-7232 3/8" x 35'	B-7232-01 (3.4 GPM/12.87 LPM)	B-7232-01M (1.42 GPM/5.38 LPM)	B-7232-02 (4.1 GPM/15.52 LPM)			B-7232-05 (4.1 GPM/15.52 LPM)			B-7232-08H (3.2 GPM/12.11 LPM)	B-7232-08M (1.48 GPM/5.6 LPM)	B-7232-10 (3.6 GPM/13.63 LPM)	B-7232-11 (4.2 GPM/15.9 LPM)
B-7242 3/8" x 50'	B-7242-01 (3.2 GPM/12.11 LPM)	B-7242-01M (1.42 GPM/5.38 LPM)	B-7242-02 (3.7 GPM/14 LPM)			B-7242-05 (3.7 GPM/14 LPM)			B-7242-08H (3.0 GPM/11.36 LPM)	B-7242-08M (1.48 GPM/5.6 LPM)	B-7242-10 (3.4 GPM/12.87 LPM)	
B-7242-C 3/8" x 50'	B-7242-C01 (3.2 GPM/12.11 LPM)	B-7242-C01M (1.42 GPM/5.38 LPM)	B-7242-C02 (3.7 GPM/14 LPM)			B-7242-C05 (3.7 GPM/14 LPM)			B-7242-C08H (3.0 GPM/11.36 LPM)	B-7242-C08M (1.48 GPM/5.6 LPM)	B-7242-C10 (3.4 GPM/12.87 LPM)	
B-7245 3/4" x 50'				B-7245-03 (11.0 GPM/41.64 LPM)	B-7245-04 (11.0 GPM/41.64 LPM)		B-7245-06 (10.9 GPM/41.26 LPM)	B-7245-07 (10.9 GPM/41.26 LPM)				

T&S HOSE REEL SERIES

STAINLESS STEEL REELS

EPOXY COATED REELS



Add your accessories.

With a complete selection of high-quality accessories to choose from, T&S helps you put the finishing touches on your new hose reel — helping you get the most out of the final product while keeping your new installation up to code.

► Mounting brackets

While mounting plates can be used to adhere your hose reel directly to the wall or ceiling, mounting brackets can help increase reach and flexibility. Please note that all mounting brackets accommodate 3/8" hoses only — not 3/4".

Hose Reel	Swing Bracket	Pivot Bracket
B-7102	G016737-45	G016652-45
B-7112	G016737-45	G016652-45
B-7112-C	G016737-45	G016652-45
B-7132	G016737-45	G016652-45
B-7142	G016737-45	G016652-45
B-7142-C	G016737-45	G016652-45
B-7212	G016636-45	G016652-45
B-7222-C	G016636-45	G016652-45
B-7232	G016636-45	G016652-45
B-7242	G016637-45	G016652-45
B-7242-C	G016637-45	G016652-45
B-7245	Not Available	Not Available

We've got you covered.

No matter what type of hose reel configuration you need, T&S has the brackets, outlets, connectors and other accessories to fit your specific application. It's all part of our commitment to helping you create a highly functional, dependable hose reel you can count on for years to come.

Options: _____

SWING BRACKETS

For wall mount applications; allows movement from right to left



G016636-45:

Epoxy coated steel; fits all 3/8" 12', 15', 30' and 35' reels



G016637-45:

Epoxy coated steel; fits 3/8" 50' reels



G016737-45:

Stainless steel; fits all 3/8" painted or stainless steel reels

PIVOT BRACKETS

For ceiling or tabletop mount applications; allows 330° movement



G016652-45:

Epoxy coated steel; fits all 3/8" T&S hose reels

► Popular accessories

Some of our most popular hose reel accessories are shown here — and for a complete listing of all available accessories, including shut-off valves, vacuum breakers, repair kits and more, please see our latest catalog.



HOSE REEL CONNECTOR KIT

ORK-SK:

Includes 1/2" NPT inlet elbow, 3/8" NPT x 18" riser, vacuum breaker, 3/8" NPT x 36" flexible water connector and quick disconnect



CONTINUOUS PRESSURE VACUUM BREAKER ASSEMBLY

B-0963:

Includes 1/4 turn ball valves, bleeder screw, test cock and 1/2" NPT inlet and outlet



WATER APPLIANCE CONNECTORS

HW-2 SERIES:

Uses a blue coated hose with NPT male fittings; various hose lengths and NPT sizes available

Make it
a reality.

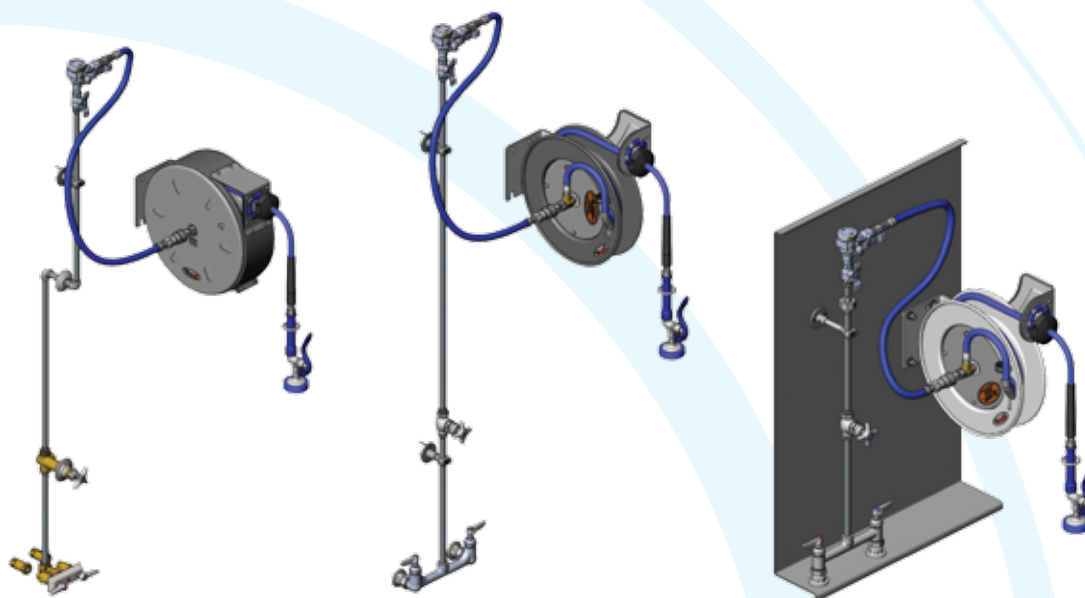


Now it's time to pull together your choices and contact your T&S representative to place an order. You can also call our customer service department directly at 1-800-476-4103 and they'll be happy to assist you. Remember to refer to the chart on Page 5 for details regarding availability.

You can also consider a complete T&S hose reel system, including everything from the faucet base, risers and shut-off valves to vacuum breakers, flexible hose connections and more. Often a complete system is the best choice to ensure code compliance and efficiency — and T&S can help you configure a custom system based on your specific needs.

A few popular hose reel system models:

(See our catalog for more)



	B-1432	B-1433-01	B-1436
HOSE REEL MODEL/TYPE	B-7222-C01 Epoxy/Enclosed/30'	B-7232-01 Epoxy/Open/35'	B-7132-01 Stainless/Open/35'
SPRAY VALVE MODEL	EB-0107 4.0+ GPM	EB-0107 4.0+ GPM	EB-0107 4.0+GPM
CONNECTOR TO HOSE	HW-4B-36	HW-4B-36	HW-4B-24
VACUUM BREAKER MODEL	B-0963	B-0963	B-0963
UPPER RISER	(2) 3/8" NPT x 22"	3/8" NPT x 40"	3/8" NPT x 2" with 3/8" NPT Union
CONTROL VALVE	ORK2	ORK3	ORK3
LOWER RISER	3/8" NPT x 12"	3/8" NPT x 16"	3/8" NPT x 12"
WALL BRACKET(S)	B-0109-07	(2) B-0109-07	4 1/2"
MIXING VALVE	B-0513	002832-40 Wall/8"/Spring Checks	002829-40 Deck/8"/Spring Checks
CHECK VALVES	(2) B-CVH1-2	N/A	N/A
SPECIAL CONFIGURATIONS	Concealed installation	N/A	Stainless steel backplate



A history of excellence.

T&S Brass and Bronze Works has built a reputation for quality, service and innovation for more than 60 years — beginning with our original pre-rinse unit, the market's very first. Today, our products have become the standard for many U.S. hospitals, schools, restaurants, supermarkets and public facilities.





RELIABILITY BUILT IN™

2 Saddleback Cove • P.O. Box 1088
Travelers Rest, SC 29690
Phone (800) 476-4103 • Fax (800) 868-0084
www.tsbrass.com • Twitter @TSBrass