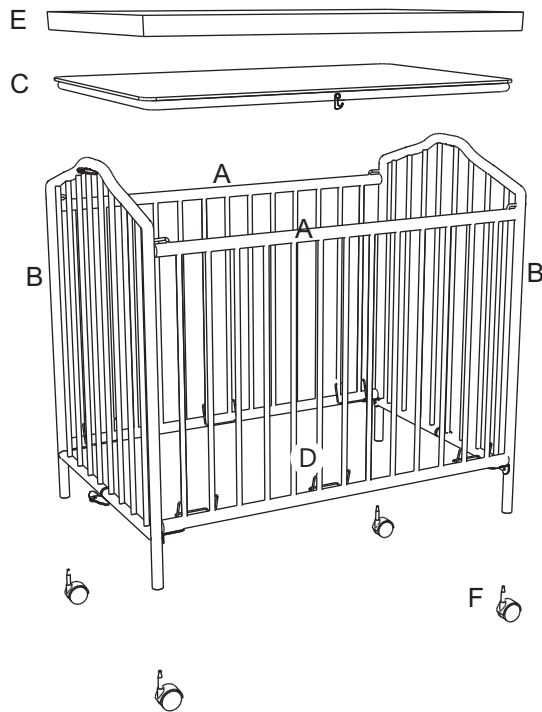


# The L.A. Baby Portable Crib

Warnings & Instructions  
Product # CS 81

Read all instructions before assembly and use of crib.

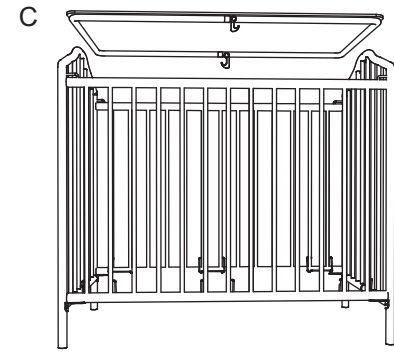
Parts List	Pieces per Unit
A / B Crib	1
C - Posture Board	1
D - Mattress support wires (Factory installed)	6
E- Mattress, 2" x 24" x 38"	1
F - Swivel Caster	4



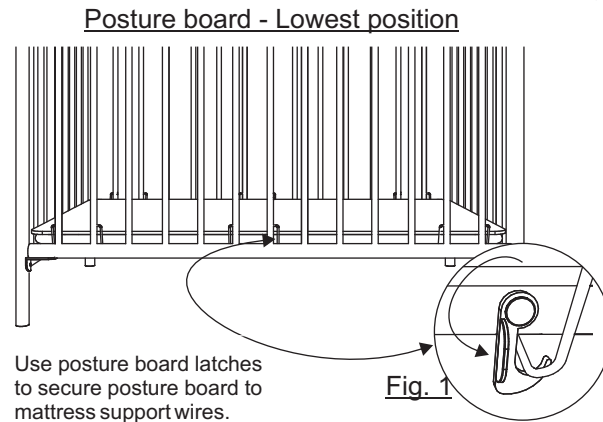
**Warning:** See bottom of panel for instruction Sheet and Warnings



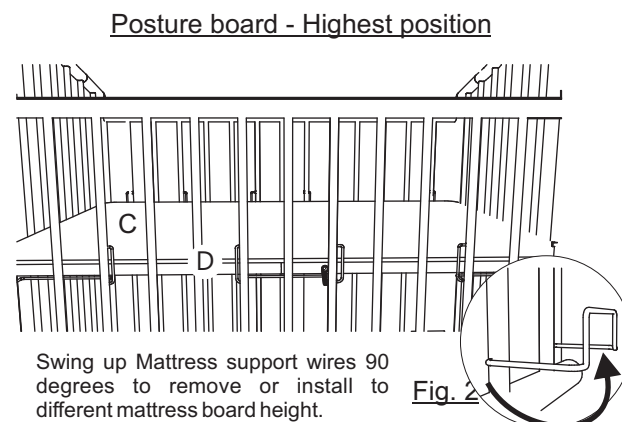
Unfold crib



Place posture board on top of all six wire hangers.

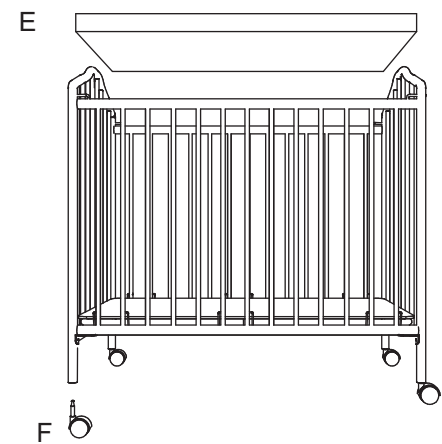


Use posture board latches to secure posture board to mattress support wires.



Swing up Mattress support wires 90 degrees to remove or install to different mattress board height.

If this crib is for a newborn the posture board should be in the higher position. To do this, the six mattress support wires (D) should be moved to the upper holes in the side rails. As the baby grows the six mattress support wires (D) should be moved to the low position. To change the position of the six support wires (D), swing up each support wire 90 degrees (Fig. 2) and then take out the end of the support wire that is farthest from you by pushing (see arrow in figure 2 for the part of the support wire to push) on the support wire until the one end comes out and then remove the other end. Then install the support wire into the hole in the correct position that you want the posture board to be in by inserting the end of the support wire into the hole nearest you first and then push on the support wire until the end farthest from you is installed. (arrow fig 2) Repeat this process until all 6 support wires are installed in the correct position. To secure the posture board to the crib, be sure to engage the two posture board latches (Figure 1) attached to the posture board.



Attach casters to leg posts and set in the mattress.

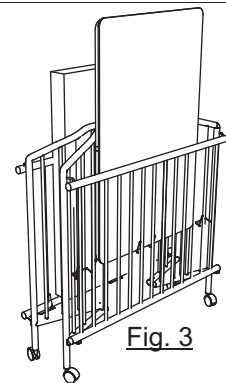


Fig. 3

To store crib, remove mattress and posture board. Fold crib. Set mattress length side up between rail and end panel. Insert posture board long side up. (Fig. 3)

- WARNING:** FAILURE TO FOLLOW THESE WARNINGS AND THE INSTRUCTIONS COULD RESULT IN SERIOUS INJURY OR DEATH.
- **NEVER** use this product if there are any loose or missing fasteners, loose joints, or broken parts. Check before assembly and periodically during use. **Make sure latches are secure.** Contact L.A.Baby for replacement parts.
  - **NEVER** substitute parts

**WARNING:** Infants can suffocate.

- In gaps between a mattress too small or too thick and product sides.
- On soft bedding.
- **NEVER** add a mattress, pillow, comforter, or padding.

- WARNING:** Use only mattress provided by manufacturer, which must be at least 38 inches long by 24 inches wide and not more than 3 inches thick.
- This crib including side rails must be fully erected prior to use.
  - When child is able to pull to standing position, set mattress/base to lowest adjustment position and remove bumper pads, large toys, and other objects that could serve as steps for climbing out.
  - **NEVER** place a crib near windows where cords from blinds or drapes may strangle a child.
  - Discontinue use of the crib when child is able to climb out or reaches a height of 35 inches (890 millimeters), the child should be placed in a youth bed.
  - If refinishing, use a non-toxic finish specified for children's products.
  - Child can become entrapped and die when improvised netting or covers are placed on top of crib. **NEVER** add such items to confine child in crib.
  - **NEVER** use a water mattress with this crib.
  - Always provide the supervision necessary for the continued safety of your child. When used for playing, **NEVER** leave child unattended
  - To reduce the risk of SIDS, pediatricians recommend healthy infants be placed on their back to sleep, unless otherwise advised by your physician.
  - **CAUTION:** Keep small parts and plastic bags out of reach of small children
  - **NEVER** use plastic shipping bags or other plastic film as mattress covers not sold and intended for that purpose. They can cause suffocation

- WARNING!** Strings can cause strangulation! **NEVER** place items with a string around a child's neck, such as hood strings or pacifier cords
- **NEVER** suspend strings over a crib or attach strings to toys.

This crib conforms to applicable regulations promulgated by the Consumer Product Safety Commission.

This crib meets new C.P.S.C. 16 CFR 1220 and A.S.T.M. 406 Standards.

DATE OF MFG

Made In China  
Ins\_CS\_81\_091510

L.A. Baby Juvenile Products  
16039 Loukelton Street  
City of Industry, California 91744  
Toll free customer service: 800-584-3094  
e-mail: customerservice@lababyco.com  
www.lababyco.com

