

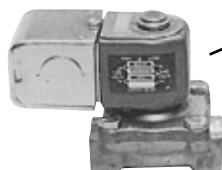


# ACCESSORIES



## SYPHON BREAKER

Prevents back flow of contaminated water into water line.



## SOLENOID VALVE

Activated when disposer is turned on. Insures water is in grind chamber when disposer is running. Deactivates when disposer is turned off.



## FLOW CONTROL VALVE

Automatically controls the proper amount of water to the disposer for trouble-free operation while limiting excessive water consumption. The valve has an arrow indicating flow direction, and has the GPM (gallons per minute) rating marked on the part. The recommended valve for InSinkEerator disposers is as follows:

MODELS	H.P.	STANDARD	OPTIONAL*
SS-50, SS-75	1/2, 3/4	3 GPM	3 GPM
SS-100, SS-125	1, 1 1/4	5 GPM	3 GPM
SS-150, SS200	1 1/2, 2	7 GPM	5 GPM
SS-300, SS500	3, 5	8 GPM	7 GPM
SS750, SS1000	7 1/2, 10	10 GPM	10 GPM

\*Optional **low water consumption flow control** valve may be substituted if water is present from another source, (example: overhead spray) or in a new installation with a short run to the sewer line. Consult InSinkEerator factory for more information.

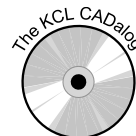
Note: **Flow Control Valve, Syphon Breaker, and Solenoid Valve** are included at **no charge** when a complete disposer package is ordered.



## TIME DELAY RELAY

Provides delay of solenoid valve shut-off to provide a post flush to help prevent drain line stoppages. Beneficial when ground food waste must travel through many bends or a long horizontal run. Adjustable from 0 to 10 minutes.

Our products appear on **The KCL CADalog** CD-ROM based CAD Foodservice Symbol Library. More information is available from **Kochman Consultants, Ltd.** at [www.kclcad.com](http://www.kclcad.com).



4700 21st STREET  
 RACINE, WI 53406  
 TEL: 800-845-8345  
 FAX: 262-554-3620

[www.insinkerator.com](http://www.insinkerator.com)



The Emerson logo is a trademark and a service mark of Emerson Electric Co.





# ACCESSORIES



## ADJUSTABLE SUPPORT LEGS

- Sold in sets of two legs
- Two support legs can be added to small or medium size disposers for added stability
- Three support legs are included with all large disposers
- Recommended when using the following disposer mounting adapters: 11378A, 11378B, 11378C, 11599H, 11599K, 11599N
- P/N 11757C



## FLANGE FOOT

- Provides secure floor mounting option for commercial disposers
- Use anywhere extra stability or security is a concern
- Flange foot is sold individually and includes one set screw
- Order two feet for medium size units and three feet for large units
- P/N 14394



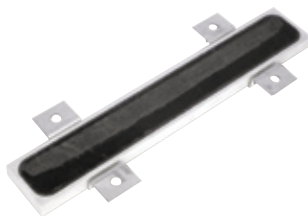
## THROAT GUARD

- Throat Guard mounts at the throat opening of the disposer
- Keeps hands safely away from disposer grind chamber
- Cannot be removed while disposer is installed on sink or trough
- Fits any disposer with a standard 6<sup>5</sup>/<sub>8</sub>" throat opening
- Includes gasket and mounting bolts
- P/N 13620



## TAMPER-PROOF CONTROL PANEL SCREWS

- Replaces standard closure screws on disposer control panels
- Eliminates unauthorized entry into control panel for safety and security
- For use with CC-101, CC-202, AS-101, WX-101 and PR-101 disposer control panels
- Includes four control panel replacement screws and matching wrench
- P/N 13946



## MAGNETIC SILVER SAVER

- Mounts to any trough system
- To order, specify part# 13983
- One Trough Magnetic Silver Saver approximately 18 inches from disposer hole is recommended. Additional magnets along length of trough are optional.

Our products appear on **The KCL CADalog** CD-ROM based CAD Foodservice Symbol Library. More information is available from **Kochman Consultants, Ltd.** at [www.kclcad.com](http://www.kclcad.com).



4700 21st STREET  
RACINE, WI 53406  
TEL: 800-845-8345  
FAX: 262-554-3620

[www.insinkerator.com](http://www.insinkerator.com)



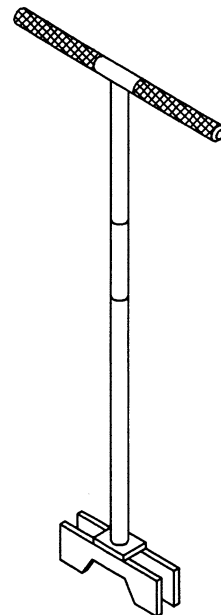
The Emerson logo is a trademark and a service mark of Emerson Electric Co.



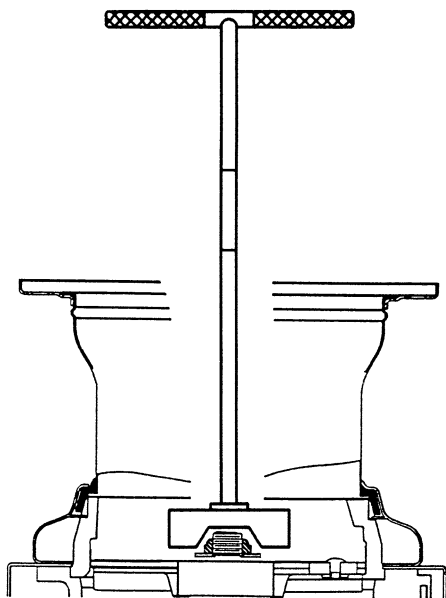


# DEJAMMING WRENCH

- Dejamming wrench loosens any lodged object
- Easy to handle
- To order, specify Part #13993



**Dejamming Wrench**



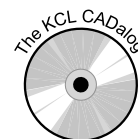
**Dejamming Wrench engaged in unit**

Place the wrench over the shredder nut and stationary lugs located on the rotating shredder. Using the handle, rotate the wrench clockwise then counterclockwise to loosen the jam.\*

**NOTE:** After freeing the rotating shredder, remove all loose particles which may have caused the jam.

\*Cannot be used with 3½" opening

Our products appear on **The KCL CADalog** CD-ROM based CAD Foodservice Symbol Library. More information is available from **Kochman Consultants, Ltd.** at [www.kclcad.com](http://www.kclcad.com).



4700 21st STREET  
RACINE, WI 53406  
TEL: 800-845-8345  
FAX: 262-554-3620  
[www.insinkerator.com](http://www.insinkerator.com)



The Emerson logo is a trademark and a service mark of Emerson Electric Co.

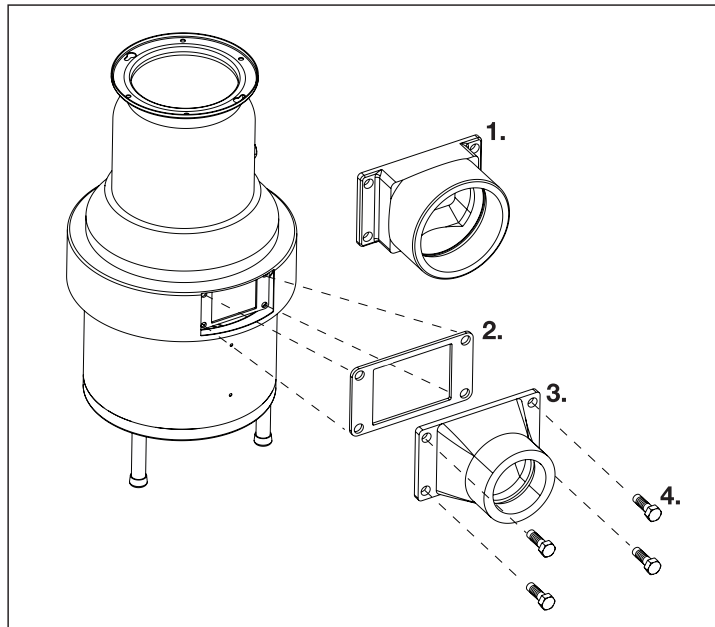




# WASTE FLANGE OUTLET

## FLANGE CREATES SALES OPPORTUNITIES:

- This flange reduces a three-inch waste line down to a two-inch line.
- Sell larger units to customers with two-inch waste lines.
- Replace competitive units with larger InSinkErator® units to customers with two-inch waste lines.
- InSinkErator still recommends that you use a three-inch waste line whenever possible for larger units.
- To order, specify Part #13847.



## INSTALLATION INSTRUCTIONS:

1. Remove three-inch flange that comes standard with new 3, 5, 7 1/2 and 10 HP InSinkErator disposers, being careful not to damage the bolts or gasket. You'll need these to install the new flange.
2. Insert gasket between two-inch flange and the new disposer as shown in illustration.
3. Install two-inch flange, (Part #13847). Be sure to position with part number facing upward as shown in illustration.
4. Secure flange to disposer using the existing bolts.

Our products appear on **The KCL CADalog** CD-ROM based CAD Foodservice Symbol Library. More information is available from **Kochman Consultants, Ltd.** at [www.kclcad.com](http://www.kclcad.com).



4700 21st STREET  
RACINE, WI 53406  
TEL: 800-845-8345  
FAX: 262 554-3620

[www.insinkerator.com](http://www.insinkerator.com)



The Emerson logo is a trademark and a service mark of Emerson Electric Co.

