

# WARING COMMERCIAL

## WDM360 Triple Head Drink Mixer

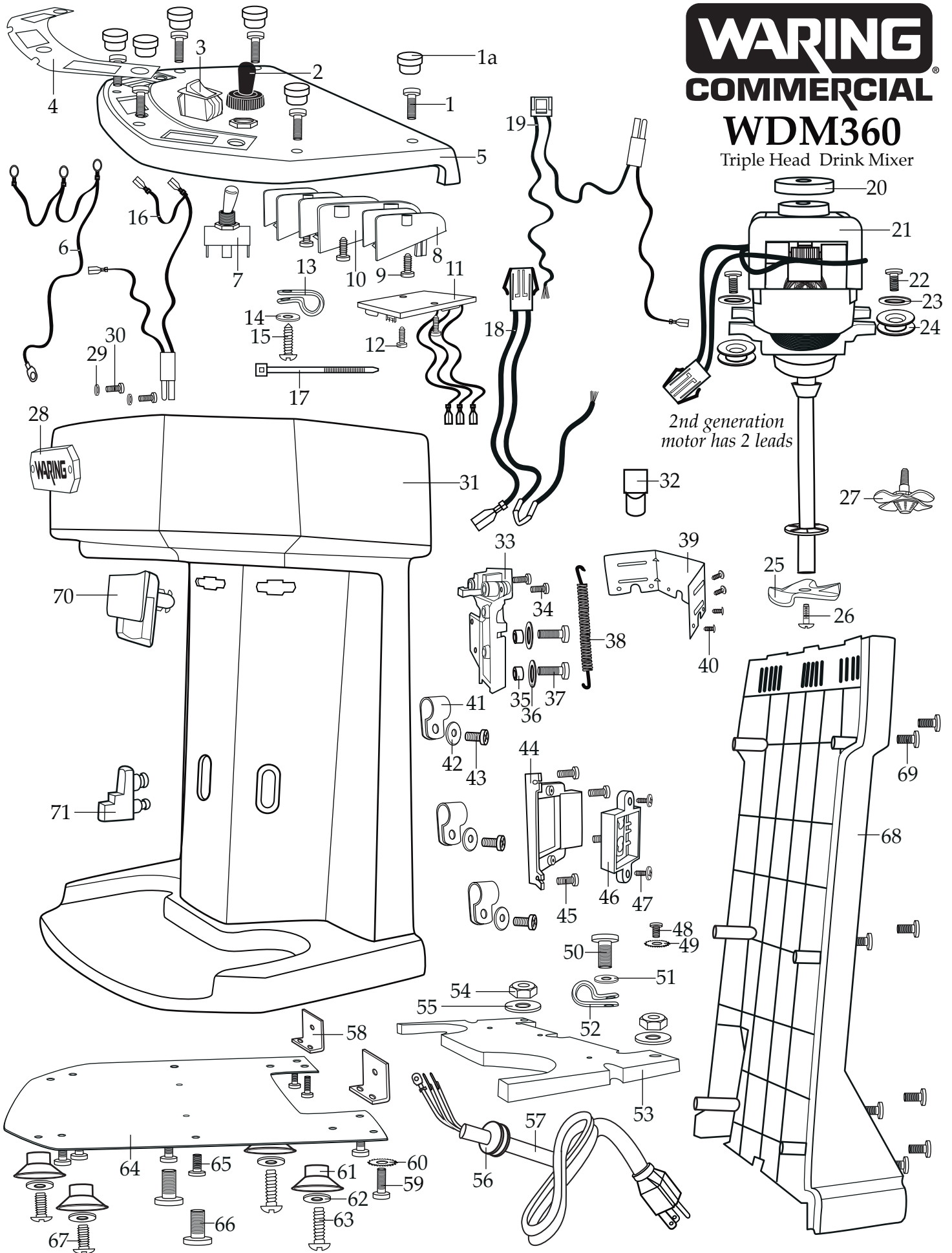
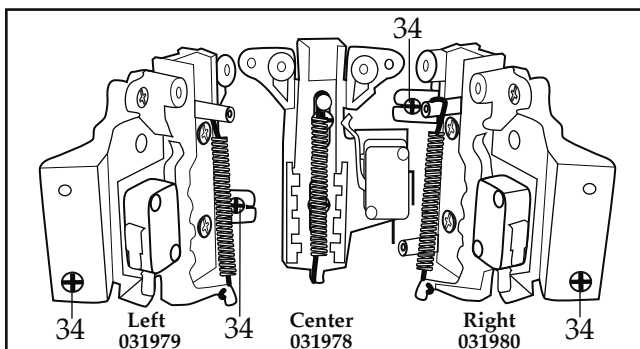


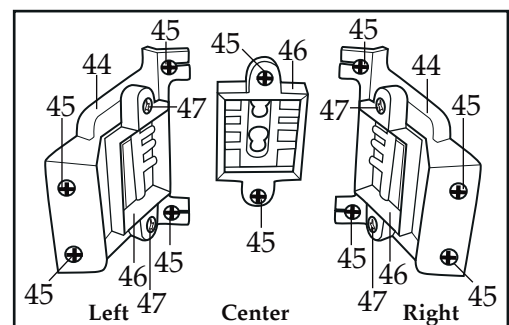
Illustration #	Part #	Description
1	033901	Screw (6 required)
1a	030685	Rubber Hole Plug (6 required)
2	030682	Switch Boot (3 required)
3	030683	Rocker Switch (3 required)
4	031975	Switch Plate
5	033883	Top Housing ( <i>current</i> )
	033882	Top Housing with PC Holders ( <i>current</i> )
	031976	Top Housing
6	033887	Ground Lead Harness (3 required <i>current &amp; previous generation</i> )
7	033899	Toggle Switch (3 required <i>current</i> )
	033994	Toggle Switch (3 required <i>previous generation</i> )
	030688	Toggle Switch (3 required <i>1st generation</i> )
8	033884	Small PC Holder (2 required <i>current</i> )
9	033886	Screw for PC Holders (5 required <i>current</i> )
10	033885	Large PC Holder ( <i>current</i> )
11	033889	PC Board (3 required <i>current</i> )
12	033890	PC Board Screw (2 required for each board <i>current</i> )
13	030708	Cable Clamp for top housing (3 required <i>current</i> )
14	030702	Washer (3 required <i>current</i> )
15	033900	Screw for top housing cable clamp (3 required <i>current</i> )
16	033888	Toggle Switch Black Harness (3 required <i>current</i> )
17	013731	Wire Tie (6 required <i>current</i> )
18	033891	Black and Brown Lead Harness (3 required <i>current</i> )
19	033892	Blue, White and Black Lead Harness (3 required <i>current</i> )
20	030694	Top Motor Mount (3 required)
21	033893	Motor (3 required <i>current</i> )
	030695	Motor (3 required)
22	033901	Screw (2 required for each motor <i>current</i> )
	030686	Screw (2 required for each motor)
23	030696	Washer (2 required for each motor)
24	030697	Side Motor Mounts (2 required for each motor)
25	030716	Solid Agitator (3 required)
26	029291	Screw for solid agitator (3 required)
27	029292	Butterfly Agitator (3 required)
28	030689	Name Plate
29	030690	Name Plate Washer (2 required)
30	030691	Name Plate Screw (2 required)

Illustration #	Part #	Description
31	031977	Front Housing
32	019123	Crimp Connector (2 required)
33	031978	Center Actuator Switch Assembly (see View 2)
	031979	Left Actuator Switch Assembly (see View 2)
	031980	Right Actuator Switch Assembly (see View 2)
34	030700	Screw (2 required each Switch Assembly see View 2)
35	030703	Center Actuator Switch Assembly Sleeve (2 required)
36	030702	Center Actuator Switch Assembly Washer (2 required)
37	030686	Center Actuator Switch Assembly Screw (2 required)
38	030701	Spring (3 required)
39	031989	Actuator Retaining Bracket
40	031990	Actuator Retaining Bracket Screw (6 required)
41	030708	Cable Clamp (3 required)
42	030702	Washer (3 required)
43	030686	Screw (3 required)
44	031982	Left and Right Cup Support Locking Bracket (see View 3)
45	033968	Screw (4 required on both right and left brackets see View 3) (2 required center bracket see View 3)
46	030704	Cup Support Locking Assembly (3 required see View 3)
47	031981	Left and Right Locking Assembly Screw (2 required see View 3)
48	030706	Ground Screw
49	030707	Ground Lock Washer
50	033902	Cord Cable Clamp Screw ( <i>current &amp; previous generation</i> )
	030700	Cord Cable Clamp Screw
51	030696	Cord Cable Clamp Washer
52	030708	Cord Cable Clamp
53	033896	Weight Plate ( <i>current &amp; previous generation</i> )
	031986	Weight Plate



View 2

Looking into unit with back cover off at actuator switches with brackets.



View 3

Looking into unit with back cover off at cup holder brackets.

Illustration #	Part #	Description
54	033898	Back Foot Hex Nut (2 required <i>current &amp; previous generation</i> )
55	033897	Back Foot Large Washer (2 required <i>current &amp; previous generation</i> )
56	031984	Strain Relief
57	031985	Cord
58	033895	Bottom Plate Bracket (2 required <i>current &amp; previous generation</i> )
59	033969	Screw (2 required for each bracket <i>current &amp; previous generation</i> )
60	033970	Lock Washer (2 required for each bracket <i>current &amp; previous generation</i> )
61	030719	Foot (4 required)
62	030696	Foot Washer (4 required)
63	033894	Back Foot Screw (2 required <i>current &amp; previous generation</i> )
64	031988	Bottom Plate
65	033901	Bottom Plate Screw (4 required <i>current &amp; previous generation</i> )
	030686	Bottom Plate Screw (4 required)
66	033902	Weight Plate Screw (2 required <i>current &amp; previous generation</i> )
	031987	Weight Plate Screw (2 required)
67	031987	Front Foot Screw (2 required <i>current &amp; previous generation</i> )
	031987	Foot Screw (4 required)
68	031983	Back Housing
69	033901	Back Housing Screw (8 required <i>current &amp; previous generation</i> )
	030686	Back Housing Screw (8 required)
70	030717	Cup Actuator (3 required)
71	030718	Cup Support (3 required)

