



T&S BRASS AND BRONZE WORKS, INC.

2 Saddleback Cove / P.O. Box 1088
Travelers Rest, SC 29690

Model No.

B-0131-ADF14-B

Item No.

Travelers Rest, SC: 800-476-4103 • Simi Valley, CA: 800-423-0150 • Fax: 864-834-3518 • www.tsbrass.com

This Space for Architect/Engineer Approval

Job Name _____ Date _____

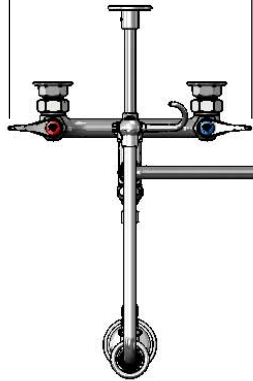
Model Specified _____ Quantity _____

Customer/Wholesaler _____

Contractor _____

Architect/Engineer _____

12 5/8"
[321mm]



063X
14" Swivel Gooseneck
w/ Stream Regulator
Outlet

Items Not Shown
for Clarity

3/8" x 26" Riser

20" Flexible Stainless
Steel Hose w/ Spray
Valve

Finger Hook

B-0107
1.15 GPM Spray Valve

3 11/16"
[94mm]

8"
[203mm]

Adjustable From
7 3/4" to 8 1/4"
[197mm to 210mm]

Quarter-Turn
Eterna Cartridges w/
Spring Checks &
Lever Handles w/
Color Coded Indexes

14"
[356mm]

12 3/4"
[323mm]

9 9/16"
[244mm]

12 1/16"
[306mm]

360° Swivel
Joint

B-0109-01
Wall Bracket

33 7/16"
[849mm]

2 5/16"
[59mm]

EasyInstall
Add-On Faucet
w/ Quarter-Turn
Eterna Cartridge
& Lever Handle

4 5/16"
[109mm]

11 5/16"
[287mm]

2 3/8"
[61mm]

Ø2"
[51mm]
Flanges w/
1/2" NPT
Female Inlets

Mounting Surface

Product Specifications:

Pre-Rinse Unit:

8" Wall Mount Mixing Faucet, Quarter-Turn Eterna Cartridges w/ Spring Checks, Lever Handles, EasyInstall Add-On Faucet w/ 14" Swing Nozzle, Overhead Swivel Arm, 20" Flexible Stainless Steel Hose, 1.15 GPM Spray Valve, 6" Wall Bracket & 1/2" NPT Female Inlets

Product Compliance:

ASME A112.18.1 / CSA B125.1
NSF 61 - Section 9
NSF 372 (Low Lead Content)
2019 DOE PRSV - Class II



T&S BRASS AND BRONZE WORKS, INC.

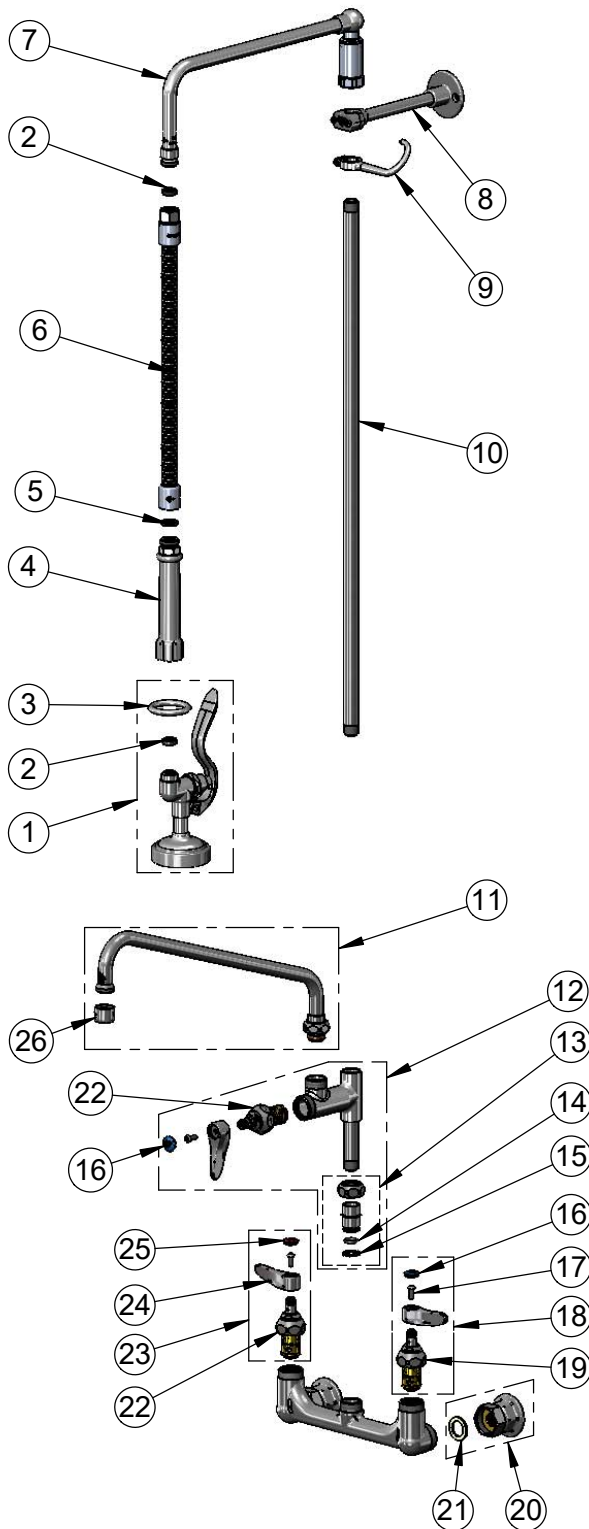
2 Saddleback Cove / P.O. Box 1088
Travelers Rest, SC 29690

Model No.

B-0131-ADF14-B

Item No.

Travelers Rest, SC: 800-476-4103 • Simi Valley, CA: 800-423-0150 • Fax: 864-834-3518 • www.tsbrass.com



ITEM NO.	SALES NO.	DESCRIPTION
1	B-0107	1.15 GPM Spray Valve
2	010476-45	#27 Washer
3	000907-45	Spray Valve Hold Down Ring
4	002987-40	Grip Handle
5	001014-45	Washer, B-0100 Hose Barrel
6	B-0020-H2A	20" Flexible Stainless Steel Hose, Less Handle
7	002882-40	12" Overhead Swivel Arm
8	B-0109-01	6" Wall Bracket
9	004R	Finger Hook
10	000373-40	3/8" NPT x 26" Riser
11	063X	14" Swing Nozzle
12	B-0155-LNEZ	EasyInstall Add-On Faucet w/ Quarter-Turn Eterna Cartridge, RTC & Lever Handle, Less Nozzle
13	EZ-K	EasyInstall Kit
14	001065-45	O-Ring
15	014200-45	Star Washer, Anti-Rotation
16	018506-19NS	Blue Button Index, Press-in
17	000925-45	Lab Handle Screw
18	002711-40NS	Quarter-Turn Eterna Cartridge w/ Spring Check, Handle, Blue Index & Screw, LTC
19	012442-40NS	Quarter-Turn Eterna Cartridge w/ Spring Check, LTC
20	00AA	1/2" NPT Female Eccentric Flange
21	001019-45	Coupling Nut Washer
22	012443-40NS	Quarter-Turn Eterna Cartridge w/ Spring Check, RTC
23	002711-40NS	Quarter-Turn Eterna Cartridge w/ Spring Check, Handle, Red Index & Screw, RTC
24	001638-45NS	Lever Handle (New Style)
25	001193-19NS	Red Button Index, Press-in
26	B-PT	Full Flow Stream Regulator, 55/64-27

Product Specifications:

Pre-Rinse Unit:

8" Wall Mount Mixing Faucet, Quarter-Turn Eterna Cartridges w/ Spring Checks, Lever Handles, EasyInstall Add-On Faucet w/ 14" Swing Nozzle, Overhead Swivel Arm, 20" Flexible Stainless Steel Hose, 1.15 GPM Spray Valve, 6" Wall Bracket & 1/2" NPT Female Inlets

Product Compliance:

ASME A112.18.1 / CSA B125.1
NSF 61 - Section 9
NSF 372 (Low Lead Content)
2019 DOE PRSV - Class II