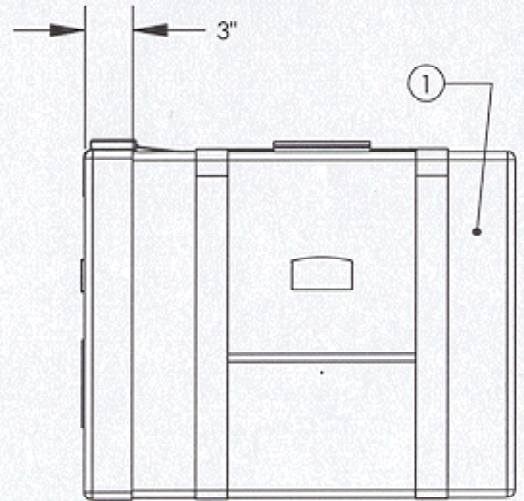
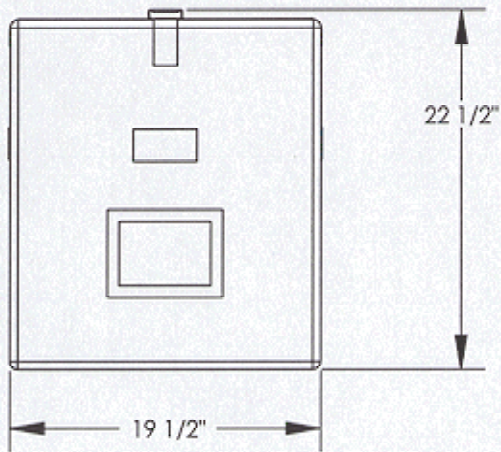
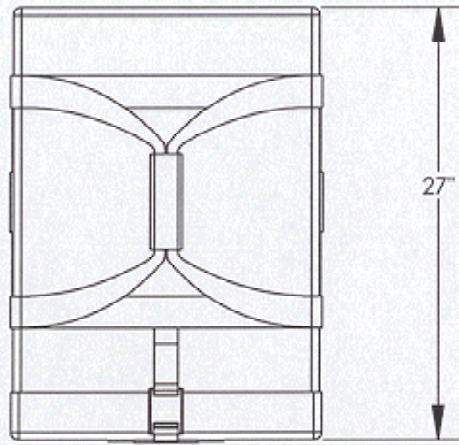
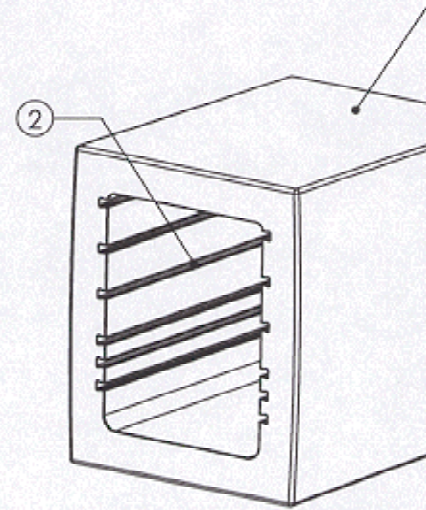
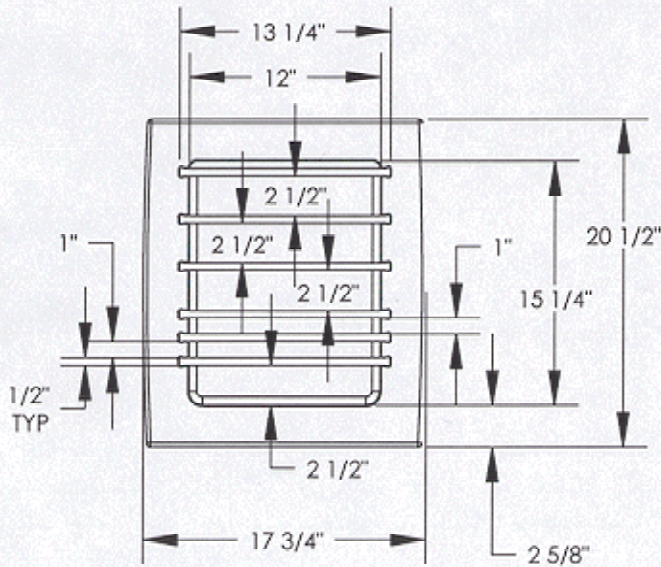
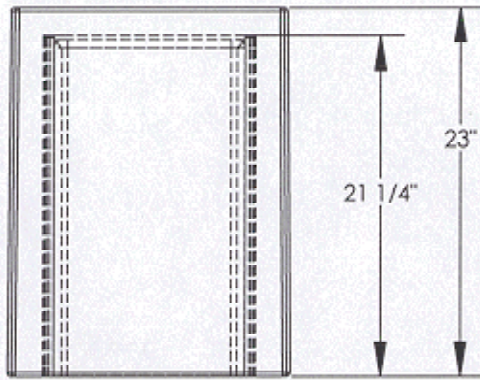




Product Group: Food Service
Product Name: Proserve, Medium End Load Full Pan Carrier
Item Numbers: 9F13



total part wt. 15.8 LBS	agency approvals _____	
capacity FIVE 2-1/2" OR THREE 4"	miscellaneous _____	
DEEP PANS	_____	produ
_____	_____	produ



total part wt. 15.8 LBS	agency approvals _____	
capacity FIVE 2-1/2" OR THREE 4"	miscellaneous _____	
DEEP PANS	_____	produ produ

Additional Information:

Last Modified by: NR Administrator/RCP on 04/06/2004 04:34:30 PM

Modifier Log: