

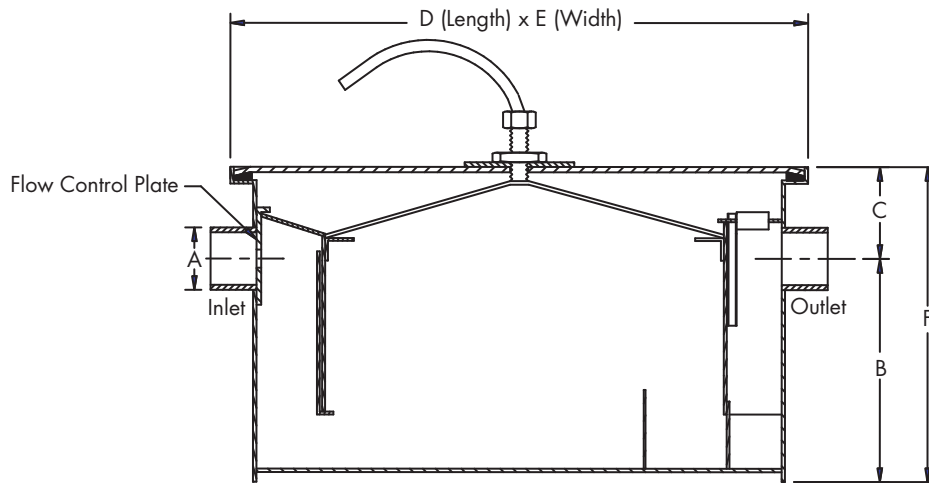


WD-A Series

Tag: _____

Semi-Automatic Draw-Off Grease Interceptor

SPECIFICATION: Watts Drainage WD-A Series floor mounted epoxy coated steel semi-automatic draw-off grease interceptor with gasketed epoxy coated steel cover, hex head perimeter bolts, removable grease accumulating cover and baffle assembly, deep seal trap with cleanout, internal stainless steel flow control plate, flexible draw-off hose, outlet line shut-off valve, and IPS threaded connections.



Flow Rate (Select One)	
Suffix	Description
7	7 GPM <input type="checkbox"/>
10	10 GPM <input type="checkbox"/>
15	15 GPM <input type="checkbox"/>
20	20 GPM <input type="checkbox"/>
25	25 GPM <input type="checkbox"/>
35	35 GPM <input type="checkbox"/>
50	50 GPM <input type="checkbox"/>
75	75 GPM <input type="checkbox"/>

Options (Select One or More)	
Suffix	Description
-O	Inlet & Outlet other than Standard Size <input type="checkbox"/>
-SS	Stainless Steel <input type="checkbox"/>
-US	Buy American Compliant <input type="checkbox"/>

Interceptor Catalog Number	Flow Rate GPM	Grease Capacity Lbs	A	B	C	D	E	F
			Inlet & Outlet	Base to Center	Top to Center	Length	Width	Height
WD-7-A	7	14	2"(51)	8-1/2"(216)	3-1/2"(89)	18"(457)	13"(330)	12"(305)
WD-10-A	10	20	2"(51)	8-1/2"(216)	3-1/2"(89)	21-3/4"(552)	14"(356)	12"(305)
WD-15-A	15	30	2"(51)	10-1/2"(267)	3-1/2"(89)	22"(559)	15"(381)	14"(356)
WD-20-A	20	40	3"(76)	11-1/2"(192)	3-1/2"(89)	24"(610)	15-3/4"(400)	15"(381)
WD-25-A	25	50	3"(76)	12"(305)	4-1/2"(114)	26"(660)	16-1/2"(419)	16-1/2"(419)
WD-35-A	35	70	3"(76)	14"(356)	5"(127)	30"(762)	18"(457)	19"(483)
WD-50-A	50	100	4"(102)	16"(406)	5-1/2"(140)	32"(813)	22"(559)	21-1/2"(546)
WD-75-A	75	150	4"(102)	18-1/2"(470)	5-1/2"(140)	36"(914)	24"(610)	24"(610)

Job Name _____ Contractor _____

Job Location _____ Contractor's P.O. No. _____

Engineer _____ Representative _____

WATTS Drainage reserves the right to modify or change product design or construction without prior notice and without incurring any obligation to make similar changes and modifications to products previously or subsequently sold. See your WATTS Drainage representative for any clarification. Dimensions are subject to manufacturing tolerances.



Specification Drainage Products

USA: 100 Watts Road, Spindale, NC, 28160-2298; TEL: 828-288-2179 TOLL-FREE: 1-800-338-2581 www.watts.com