

# Parts Catalog



**4600N Slicer**

## SLICING MACHINES

MODELS:

4600N, 4975N & 4913N

8-25-16

IMPORTANT!

TO EXPEDITE SHIPMENT OF PARTS, ALWAYS SPECIFY MODEL, REV,  
PART NUMBER, AND SERIAL NUMBER OF SLICER.

## GLOBE FOOD EQUIPMENT COMPANY

2215 East River Road  
Dayton, Ohio 45439

### Parts Department

Toll Free 1-800-745-6238 · Fax (937) 290-0585

E-Mail: [info@globefoodequip.com](mailto:info@globefoodequip.com)

Website: [www.globefoodequip.com](http://www.globefoodequip.com)

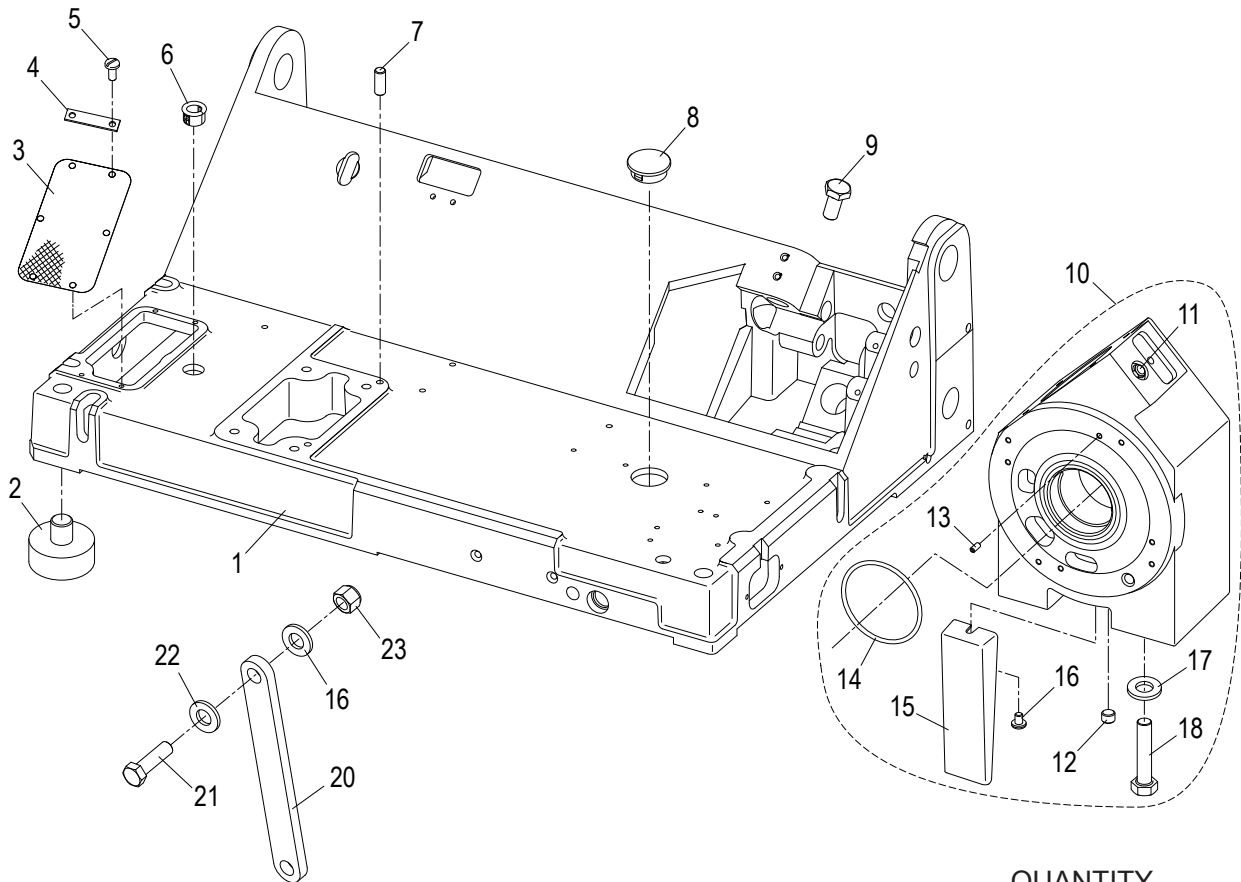
Not for resale



## TABLE OF CONTENTS

	Page
Slicer Base and Gear Housing	1
Base Shroud and Components	2
Knife Rim Guard	3
Knife and Knife Cover	4
Knife Sharpener	5
SS Carriage Assembly, Support and Endweight	6
Knife Motor Bearing Assembly	7
Knife Motor Components	8
Slicer Gauge Plate Assembly	9
Gauge Plate Adjustment Components	10
Carriage Slide System Components	11
Carriage Drive Components, Automatic Slicer	12
Carriage Drive Motor, Automatic Slicer	13
Automatic Base Apron and Lift Lever Assembly	14
Manual Slicer Electrical Components	15
Automatic Slicer Electrical Components	16
Carriage Fence Accessories	17
Vegetable Hopper Accessory	18
Schematic, 4600N	19
Schematic, 4975N and 4913N	20

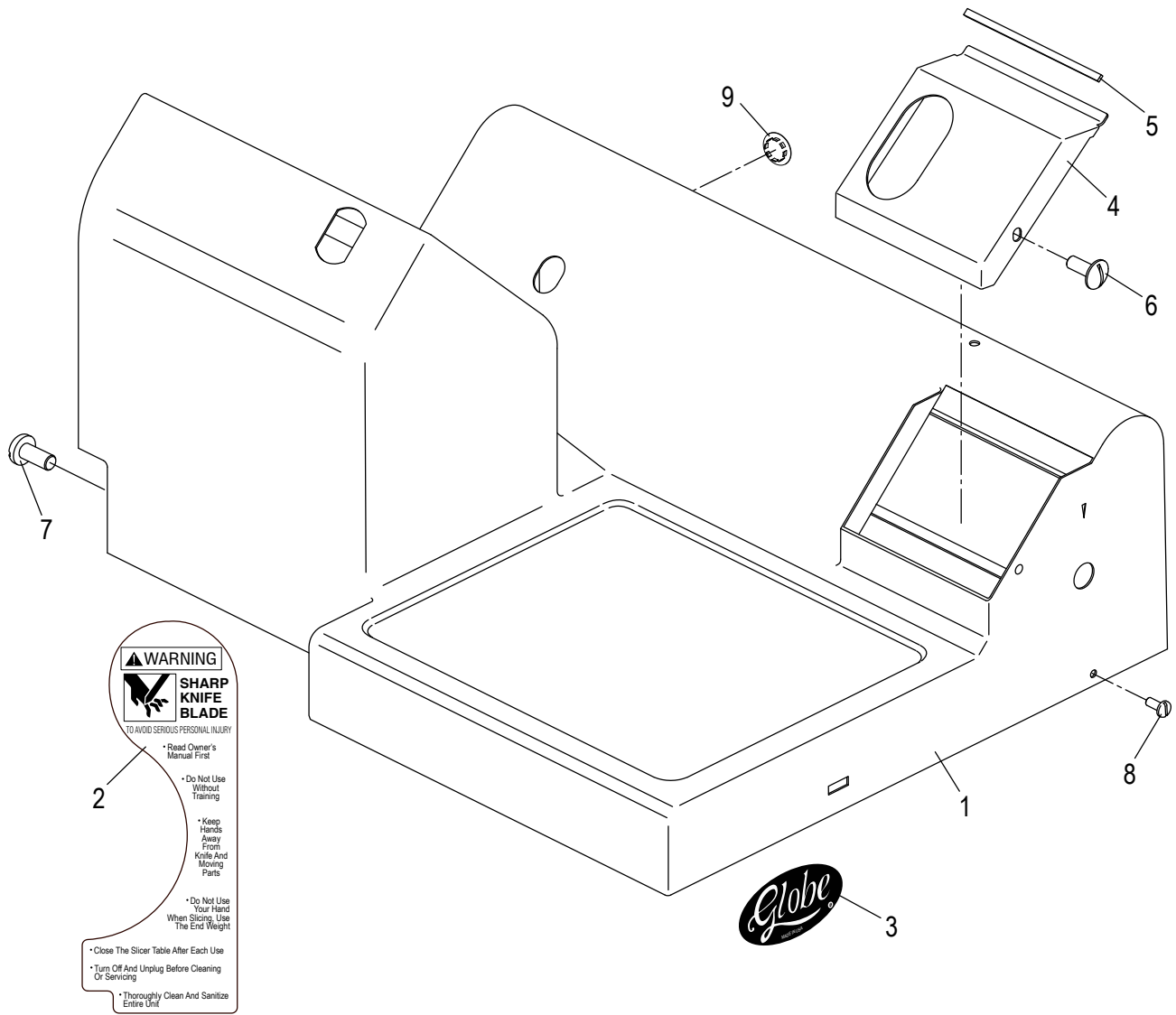
# 4000N SLICER BASE



ITEM	PART DESCRIPTION	PART NUMBER	QUANTITY	
			MAN	AUTO
1	Base, Manual	1385	1	-
	Base, Automatic	460040	-	1
2	Slicer Foot	817-S	4	
3	Motor Screen	1148	1	
4	Motor Screen Brace	1255	2	
5	Screw, Motor Brace	1227	4	
6	Split Bushing	550002	3	
7	Dowel Pin	1091	2	
8	Hole Plug	1208	1	
9	Screw, Gauge Plate Slide Rod	975-1	1	
10	Gear Housing Assembly	070051	1	
*11	Vent Plug (Included with Gear Housing)	-	1	
12	Drain Plug	890082	1	
*13	Set Screw	700-3	1	
*14	O-Ring	840001	1	
*15	Oil Drain Chute	520100	1	
*16	Drain Chute Mounting Screw	810305	1	
17	Flat Washer	763-4A	4	
18	Hex Bolt	369-1	4	
*19	Gearbox Oil, 6.5 oz. Bottle (Not shown)	920000	1	
20	Cleaning Brace	873-CB	1	-
21	Bolt, Hex Head	477	1	-
22	Flat Washer	763-4A	2	-
23	Nut, Nylon Insert	873-CB-1	1	-

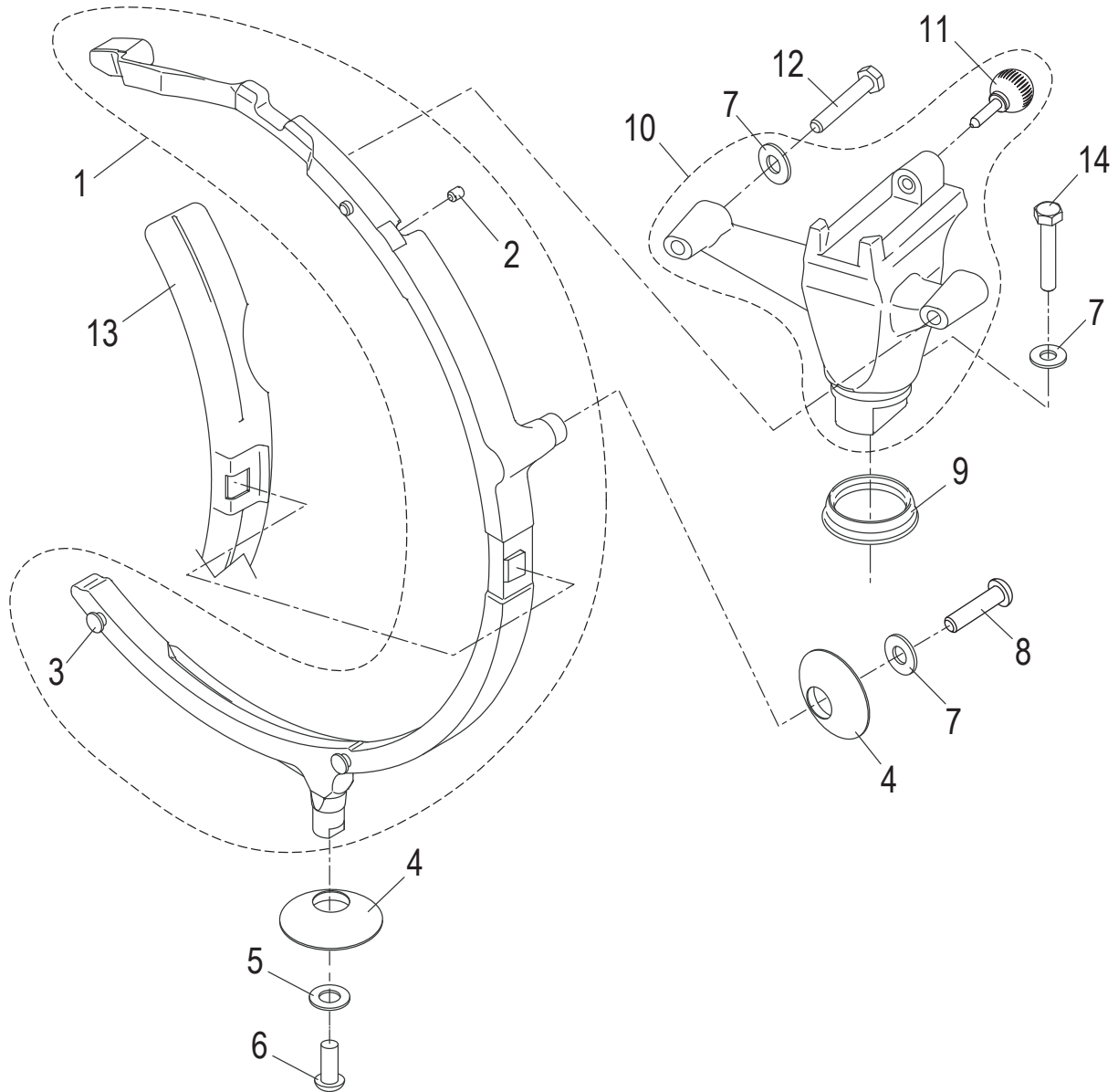
\*Used only on Oil Bath & Serrated Knife Units.

# 4000N BASE SHROUD AND COMPONENTS



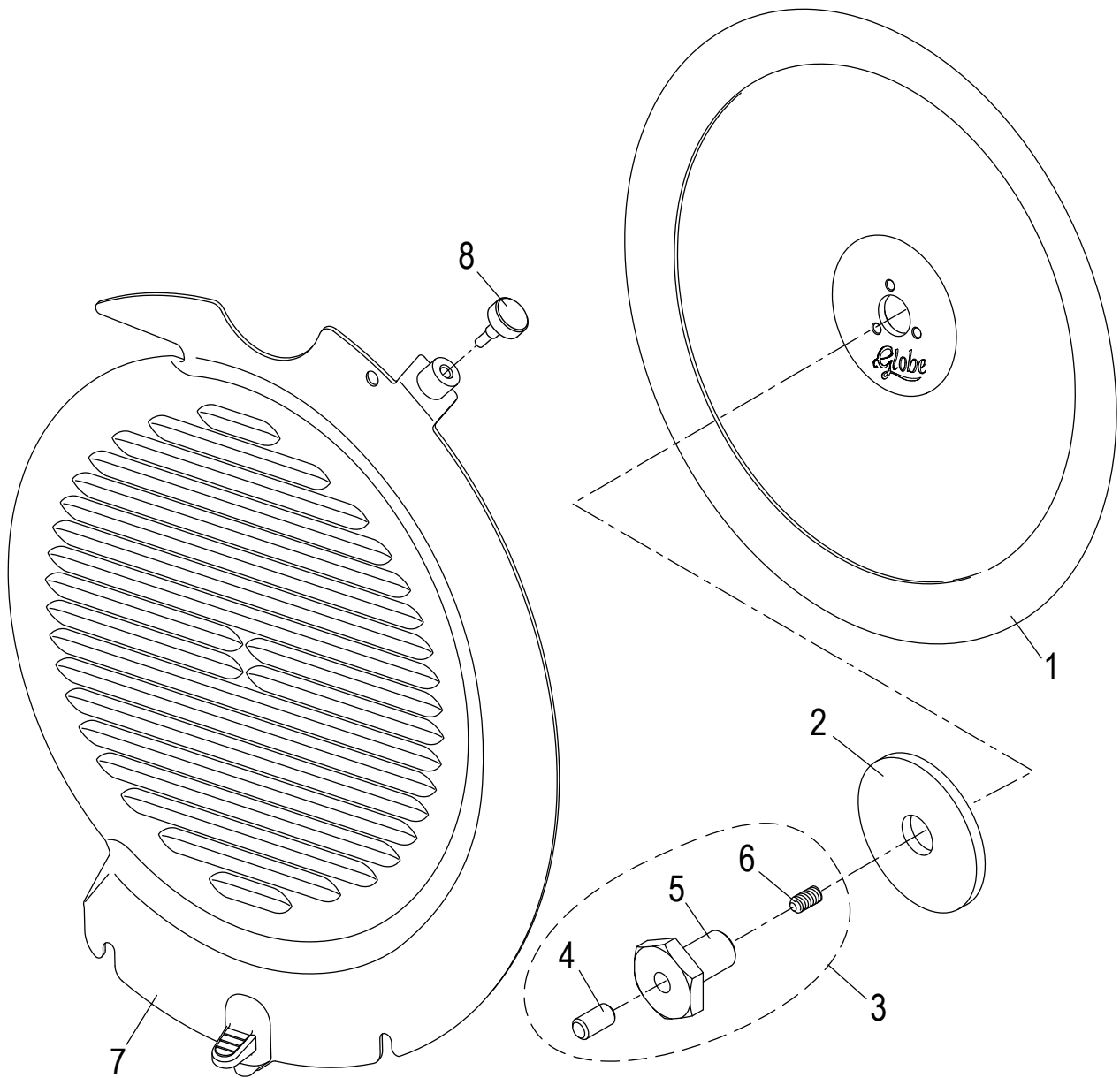
ITEM	PART DESCRIPTION	PART NUMBER	QUANTITY	
			MAN	AUTO
1	Base Shroud, Manual	330124-01	1	-
	Base Shroud, Automatic (Not shown)	330124-04	-	1
2	Warning Label, English	910242	1	
2A	Warning Label, French (CSA Units) (Not shown)	910243-01	1	
	Warning Label, Spanish (Option) (Not shown)	910243-02		
3	Label, Globe Logo	871-2	-	1
4	Cover, Gauge Plate Mechanism	320071	1	
5	Gasket, Gauge Plate Mechanism Cover	530017	1	
6	Screw, Gauge Plate Mechanism Cover	900-1	1	
7	Screw, Motor Support	762-6	2	
8	Screw, Shroud	1227	1	
9	Hole Plug, EZ Glide System	890200	1	-

# 4000N SLICER KNIFE RIM GUARD



ITEM	PART DESCRIPTION	PART NUMBER	QTY
1	Knife Rim Guard Assembly	520250	1
2	Set Screw	810382	1
3	Locator Pin	460036	2
4	Mounting Boot	520220	2
5	Flat Washer	825-2	1
6	Screw, Button Head	1217	1
7	Flat Washer	825-2	4
8	Screw, Button Head	1217	1
9	Sharpener Bracket Foot	520221	1
10	Rim Guard/Sharpener Mounting Bracket	520261	1
11	Sharpener Release Knob	520330	1
12	Screw, Hex Head	890460	2
13	Product Retainer	520219	1
14	Screw, Hex Head	890470	1

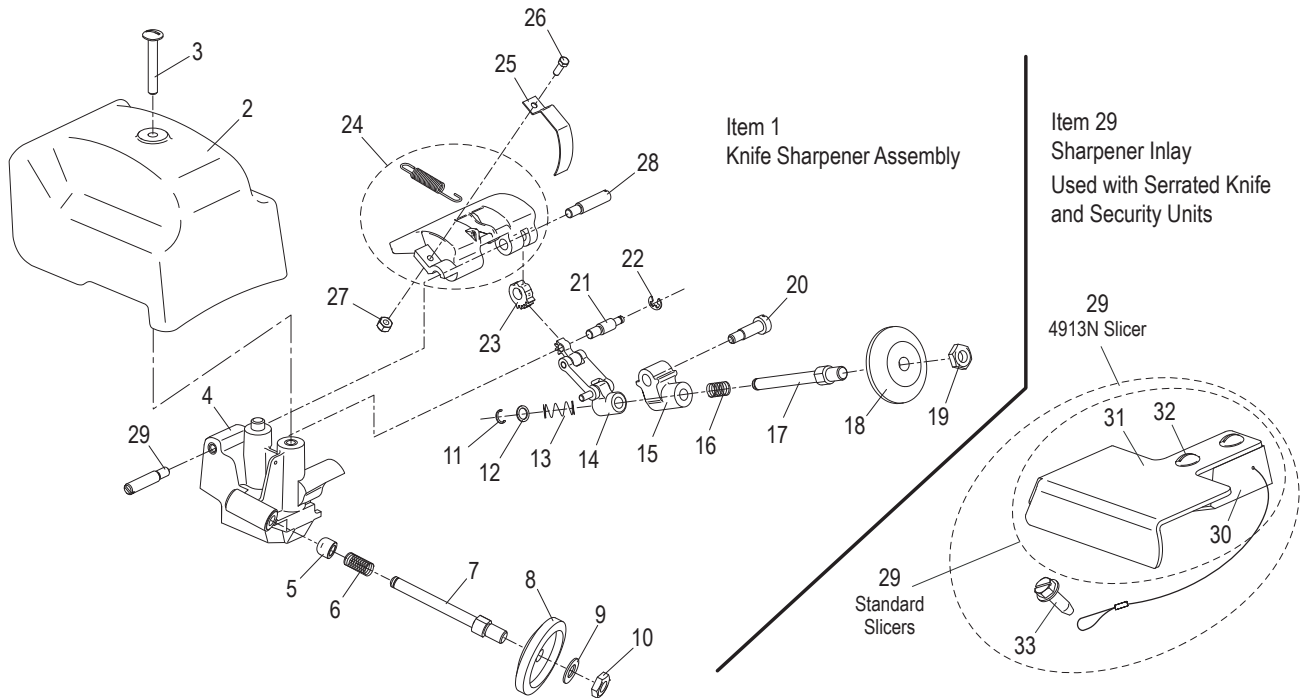
# 4000N KNIFE AND KNIFE COVER



ITEM	DESCRIPTION	PART NUMBER	QTY
1	Carbon Knife	460026	1
	Stainless Steel Knife	460027	
	Serrated Knife, Carbon Steel (Not shown)	*460028	
2	Flat Washer	1092	1
3	Knife Bolt Assembly	800001	1
4	Plug	1193	1
5	Bolt	1093	1
6	Set Screw	1194	1
7	Knife Cover Assembly, Standard (Includes 460045)	330205-01	1
	Knife Cover Assembly, Security	330205-02	
	Knife Cover Assembly, Quick Clean (Includes 460045)	330205-03	
8	Knife Cover Release Knob (Not used on 330205-02)	460045	1

\*Use only on Frozen Meat/Oil Bath & Serrated Knife units.

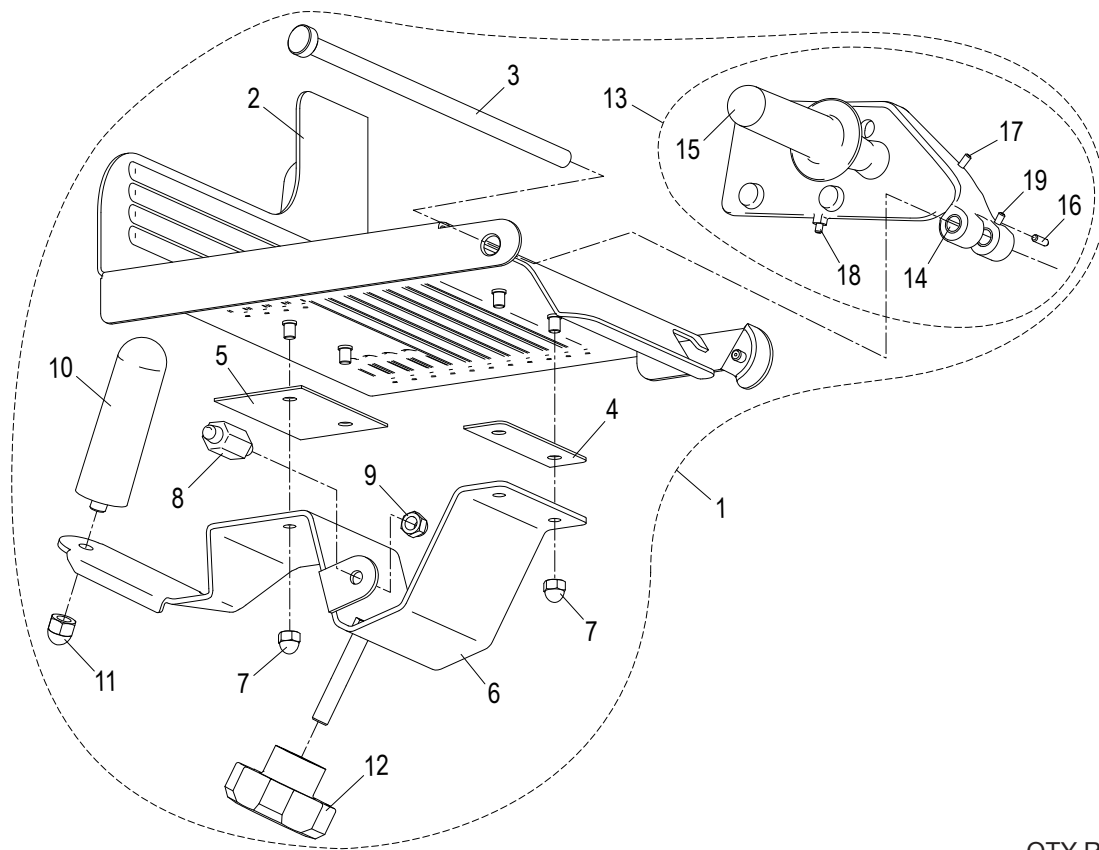
# 4000N KNIFE SHARPENER ASSEMBLY COMPONENTS



ITEM	PART DESCRIPTION	PART NUMBER	QTY
1	Sharpener Assembly with Cover	520240-01	1
	Sharpener Assembly with Cover - 4913N Only	520240-02	
2	Sharpener Cover	520222-01	1
3	Sharpener Cover Screw	890340	1
4	Sharpener Housing	520223	1
5	End Cap, Grinding Wheel Shaft	520310	1
6	Spring	890300	1
7	Shaft, Grinding Wheel	460037	1
8	Grinding Wheel, Outside - Standard	214-A	1
	Grinding Wheel, Outside - 4913N Only	240032	
9	Flat Washer	229	1
10	Jam Nut	890390	1
11	Crescent Ring	890420	1
12	Flat Washer	890430	1
13	Spring	890450	1
14	Sharpener Linkage Assembly	520280	1
15	Pivot, Truing Wheel Shaft	520229	1
16	Spring	890290	1
17	Shaft, Truing Wheel	460037	1
18	Truing Wheel, Inside - Standard	213	1
	Truing Wheel, Inside - 4913N Only	240033	
19	Jam Nut	890390	1
20	Shoulder Bolt	890270	1
21	Shaft Pivot	460038	1
22	Retaining Ring (E-Clip)	890490	1
23	Gear, Pivot Drive	520224	1
24	Sharpener Handle with Label and Spring	520226	1
25	Actuating Spring	330123	1
26	Hex Head Screw	890370	1
27	Nut, Nylon Insert	890380	1
28	Sharpener Handle Pivot	460039	2
29	Sharpener Inlay, Standard	340033	1
	Sharpener Inlay, Security	340033-03	
30	Inlay Mounting Block	340032	1
31	Inlay, Knife Cover	460053	1
32	Screw, Truss Head - Standard Inlay	762-6	1
	Screw, Truss Head - Security Inlay (Not shown)	810180	



# 4000N CARRIAGE ASSEMBLY AND END WEIGHT



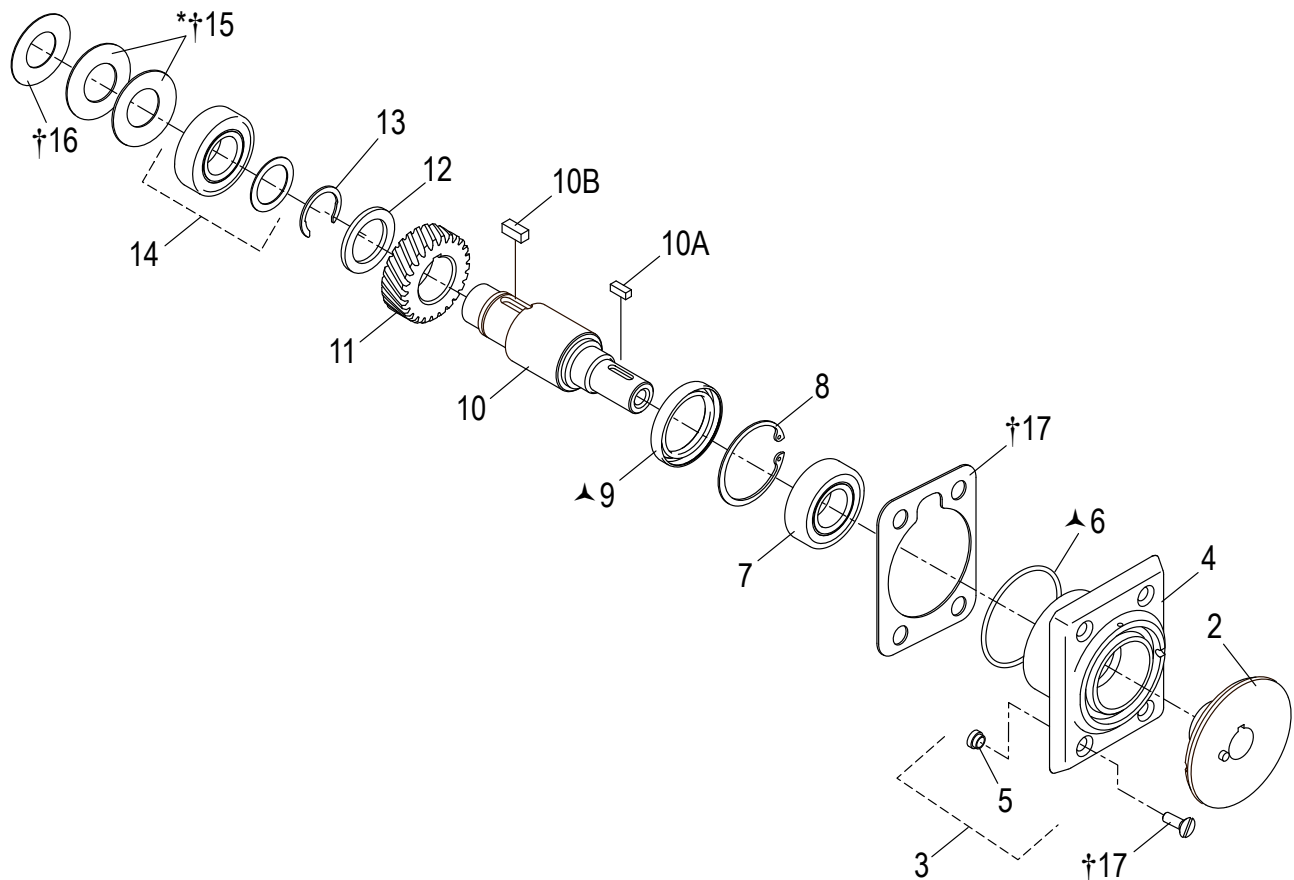
ITEM	PART DESCRIPTION	PART NUMBER	QTY REQD	
			12"	14.5"
1	SS Carriage Assembly, Short - 12" (Standard)	Shown 330011-02	1	-
	SS Carriage Assembly, Medium - 14.5"	Standard 4913N 330012-01 330012-02	-	1
2	SS Carriage Weldment, Short - 12"	Notes 1 & 2 330115-02	1	-
	SS Carriage Weldment, Medium - 14.5"	330116	-	1
3	End Weight Rod, Short 12" Carriage Assy	Note 1 450025	1	-
	End Weight Rod, Medium 14.5" Carriage Assy	Note 2 450025-02		
	End Weight Rod, Medium 14.5" Carriage Assy	450026	-	1
4	Rear Gasket, Carriage Support	510028	1	
5	Front Gasket, Carriage Support	510027	1	
6	Carriage Support	330055	1	
7	Acorn Nut, 1/4-20	962-6	4	
8	Lock Back Stud	460050	1	
9	Acorn Nut, 5/16-18	962-7	1	
10	Handle	482-B	1	
11	Acorn Nut, 3/8-16	699-32	1	
12	Carriage Release Knob	520312	1	
13	End Weight Assembly, Low Stop	Note 1 460047-01	1	
	End Weight Assembly, Raised Stop	Note 2 460047-03		
	End Weight Assembly, Low Stop	4913N 460047-02		
14	Endweight Bearing	741-6	2	
15	Endweight Handle	Standard 510012	1	
		4913N 460047-02		
16	Side Endweight Bumper, Nylon	Note 1 741-4A	1	
	Side Endweight Bumper, SS	Note 2 810396		
17	Endweight Bumper, Upper	741-5A	1	
18	Endweight Bumper, Lower	741-5B	1	
19	End Weight Bumper Glide Pin	Note 2 810397	1	

Note 1: S/Ns lower than listed below use P/Ns 330011-02 (Carriage Assembly), 450025/450046-01 and 741-4a.

Note 2: S/Ns starting with those listed below use P/Ns 330115-02 (Weldment), 450025-02/460047-03, 810396, and 810397.

Serial Numbers: 4600N00100 and 4975N00100.

# 4000N KNIFE MOTOR BEARING ASSEMBLY



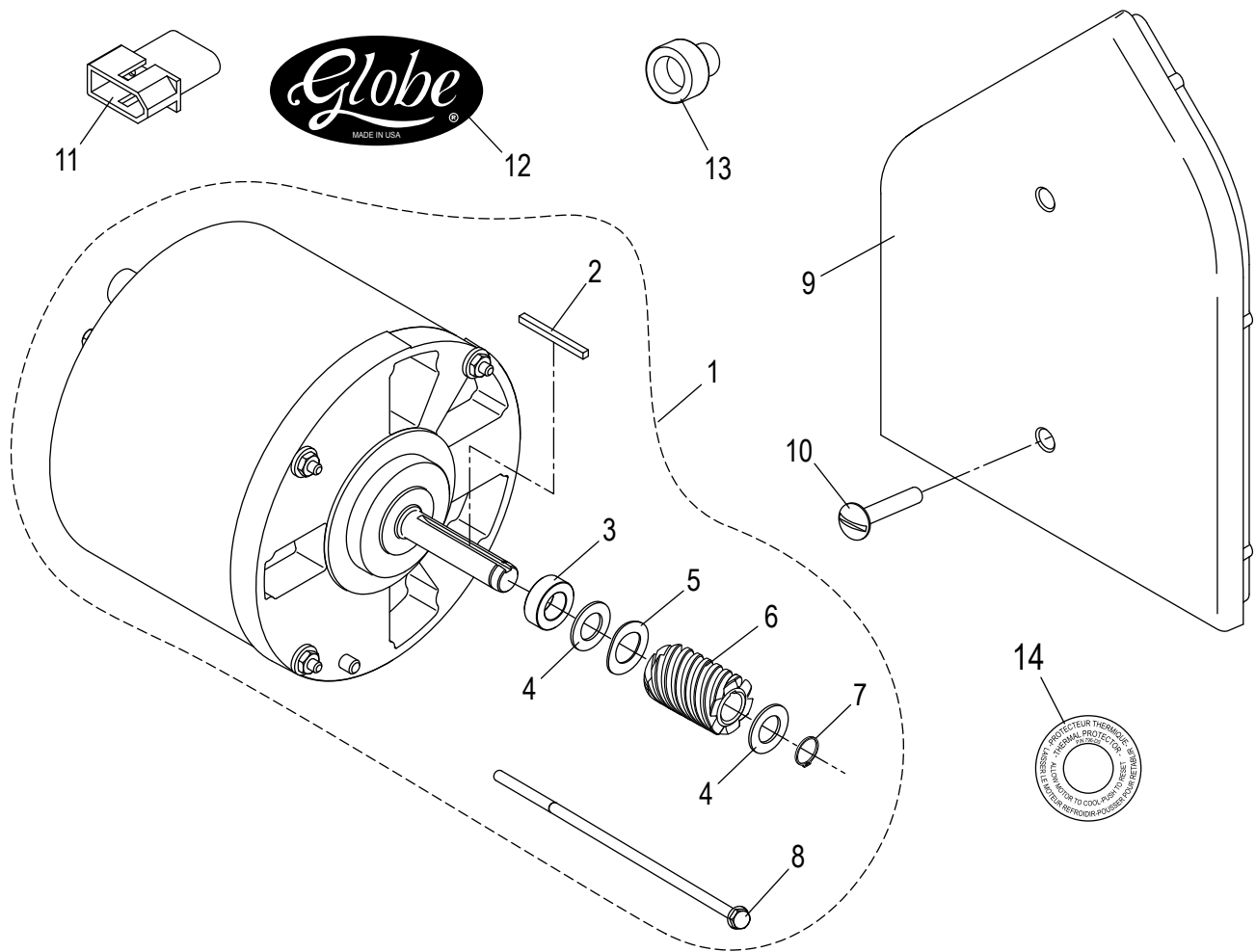
ITEM	PART DESCRIPTION	PART NUMBER	QTY
1	Knife Bearing Assembly	070049	1
	Knife Bearing Assembly, Oil Bath/Serrated Knife Units	070065	
2	Knife Locating Hub Assembly	070064	1
3	Upper Bearing Retainer Assembly	070050	1
4	Upper Bearing Retainer	230010	1
5	Standoff	1237	4
▲6	O-Ring	840020	1
7	Bearing, Sealed	820045	1
8	Retaining Ring	1088	1
▲9	Shaft Seal	840010	1
10	Knife Shaft	420080	1
10A	Key	1106	1
10B	Key	1086	1
11	Gear, Nylon	1084	1
	▲Gear, Bronze - Oil Bath & Serrated Knife Units	410030	
12	Spacer	1083	1
13	Retaining Ring	1087	1
14	Bearing and spacer	800000	1
*†15	Bowed Washer	830010	2
†16	Thrust Washer	820042	1
†17	Screw, Flat Head	890405	4
†18	Retainer, Shroud Gasket	1241	1
19	Gear Lubricant (5.3 oz. Tube) Not Shown	521-D	1

\* Note opposing configuration: Convex sides of washers touch.

† Item not included with 070049.

▲Use only on Serrated Knife units.

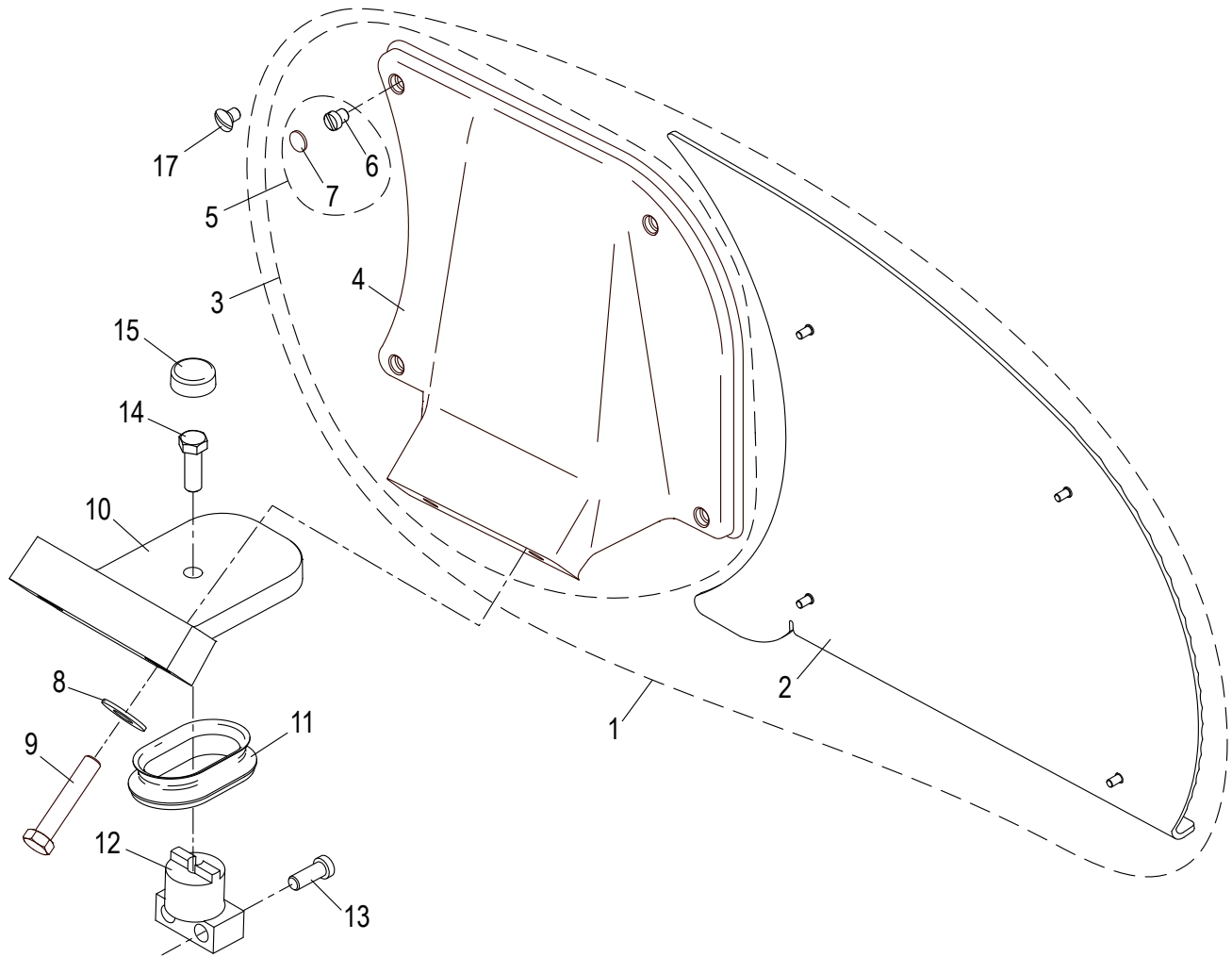
# 4000N KNIFE MOTOR COMPONENTS



ITEM	DESCRIPTION	PART NUMBER	QTY
1	Knife Motor/Gear Assembly, 115VAC / 60HZ / 1PH	110040	1
	Knife Motor/Gear Assembly, 115VAC / 60HZ / 1PH with Reset	*110041	
2	Key, Square	1372	1
3	Spacer	460025	1
4	Flat Washer	870070	2
5	Bowed Washer	810	1
6	Worm Gear	1059	1
7	Snap Ring	880051	1
8	Motor Screw	810330	4
9	Motor Cover	520010	1
	Motor Cover with Reset Button Hole (Not shown)	*520011	
10	Cover Screw	810300	2
11	Wire Connector	1257	1
12	Label, Globe Logo	871-2	1
*13	Motor Reset Button Extension	530015	1
*14	Motor Reset Button Label	796-DS	1

\*Used only on units with Motor Reset option.

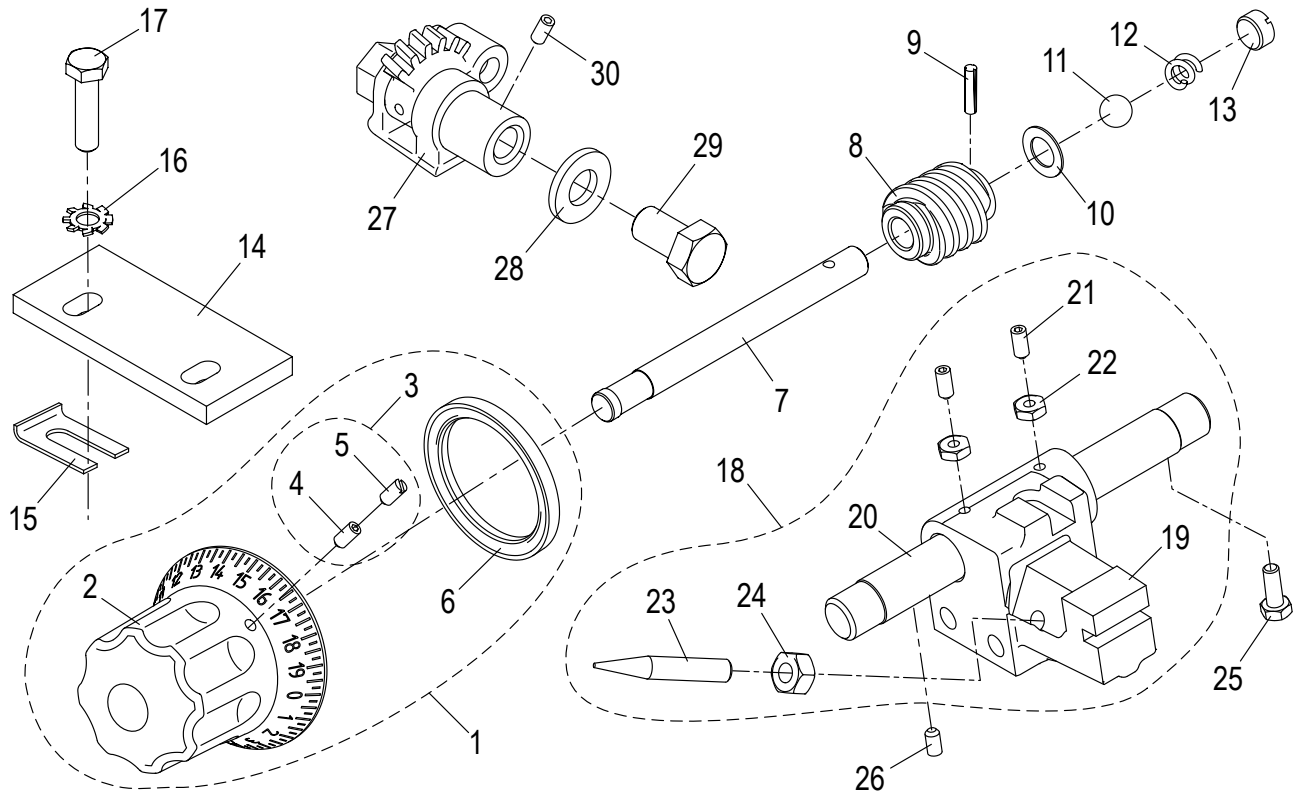
# 4000N SLICER GAUGE PLATE COMPONENTS



ITEM	PART DESCRIPTION	PART NUMBER	QTY
1	Gauge Plate Assembly, Standard	460017-01	1
	Gauge Plate Assembly, Quick Clean	460017-02	
	Gauge Plate Assembly, Security	460017-03	
2	Gauge Plate, Stainless Steel (Standard/Security)	320015	1
	Gauge Plate, Stainless Steel/Quick Clean	310101	
3	Gauge Plate Support Replacement Kit	140071	1
4	Gauge Plate Support	210030	1
5	Gauge Plate Fastener Kit	140072	1
6	Gauge Plate Screw	810335	4
7	Gauge Plate Screw Cover	910180	4
8	Flat Washer	870030	2
9	Screw, Gauge Plate Mounting	890408	2
10	Gauge Plate Slide Bracket	450027	1
11	Boot, Gauge Plate Slide	530016	1
12	Gauge Plate Slide Adapter	450020	1
13	Screw, Gauge Plate Slide Adapter	810388	2
14	Screw, Gauge Plate Slide Bracket	810387	1
15	Screw Cap	520314	1
16	Shim Kit (Not shown)	337-A	As Req'd
*17	Gauge Plate Fastener, Old Style	976-1	4

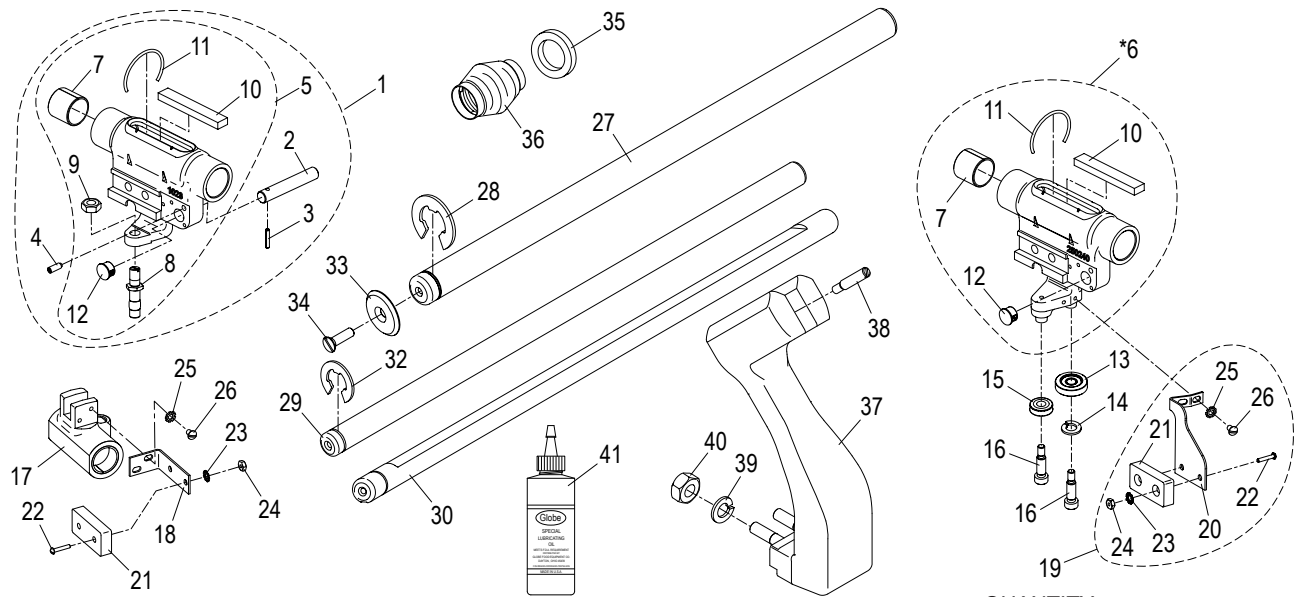
\*Used before Serial Number 4600N00020, 4975N00027 or 4913N00028.

# 4000N GAUGE PLATE ADJUSTMENT COMPONENTS



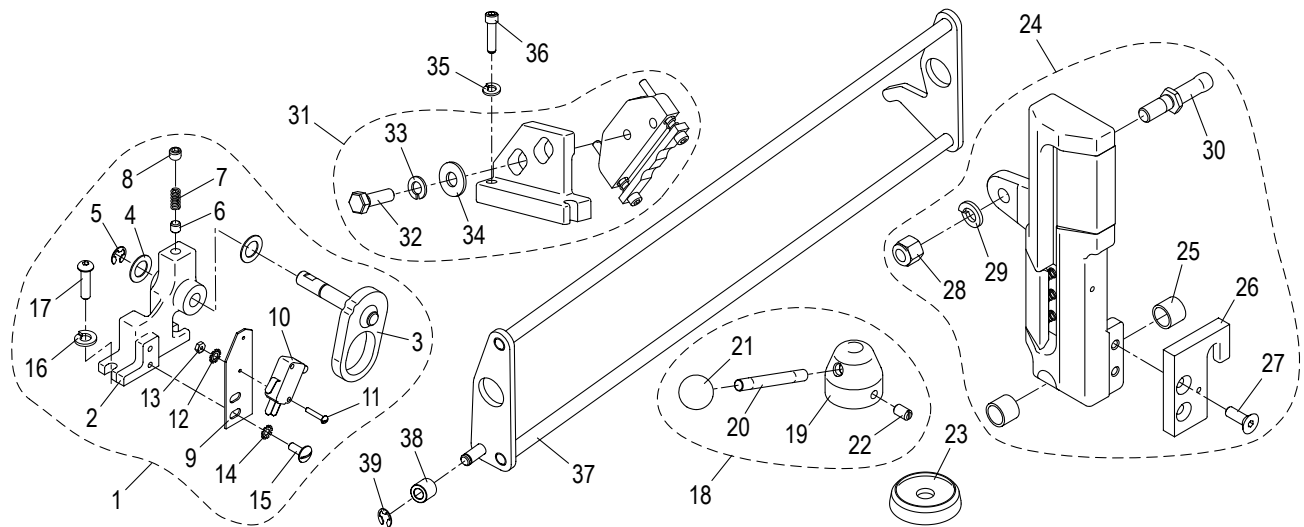
ITEM	DESCRIPTION	PART NUMBER	QTY
1	Gauge Plate Index Knob Assembly	520309	1
2	Molded Index Knob	-	1
3	Index Knob Hardware Kit	140073	1
4	Set Screw, Hex Drive	-	3
5	Set Screw, Slotted Drive	-	3
6	Index Knob Seal Kit	140074	1
7	Shaft, Index Adjustment Knob	460051	1
8	Worm Gear	1147	1
9	Pin, Worm Gear	360	1
10	Washer, Worm Gear	359	1
11	Ball Bearing	362	1
12	Tension Spring	1200	1
13	Thrust Screw	361-1	1
14	Slide Guide	1259	1
15	Slide Guide Shim Kit (Assorted Thickness)	349-A1	As Reqd
16	Lock Washer	870000	2
17	Screw, Hex Head	1307	2
18	Gauge Plate Slide Assembly, Standard	420027-02	1
	Gauge Plate Slide Assembly, Meatroom	420027-04	
19	Gauge Plate Slide	-	1
20	Shaft, Gauge Plate Slide, Standard	1027	1
	Shaft, Gauge Plate Slide, Meatroom	1281	
21	Set Screw	168-1	2
22	Nut	760-5	2
23	Stop Screw	430000	1
24	Nut, Stop Screw	478-1	1
25	Screw, Hex Head	975-1	1
26	Set Screw	700-3	2
27	Table Adjustment Gear Assembly	453-AS	1
28	Flat Washer	881-4	1
29	Screw, Hex Head	335	1
30	Set Screw	700-3	1

# 4000N CARRIAGE SLIDE SYSTEM COMPONENTS



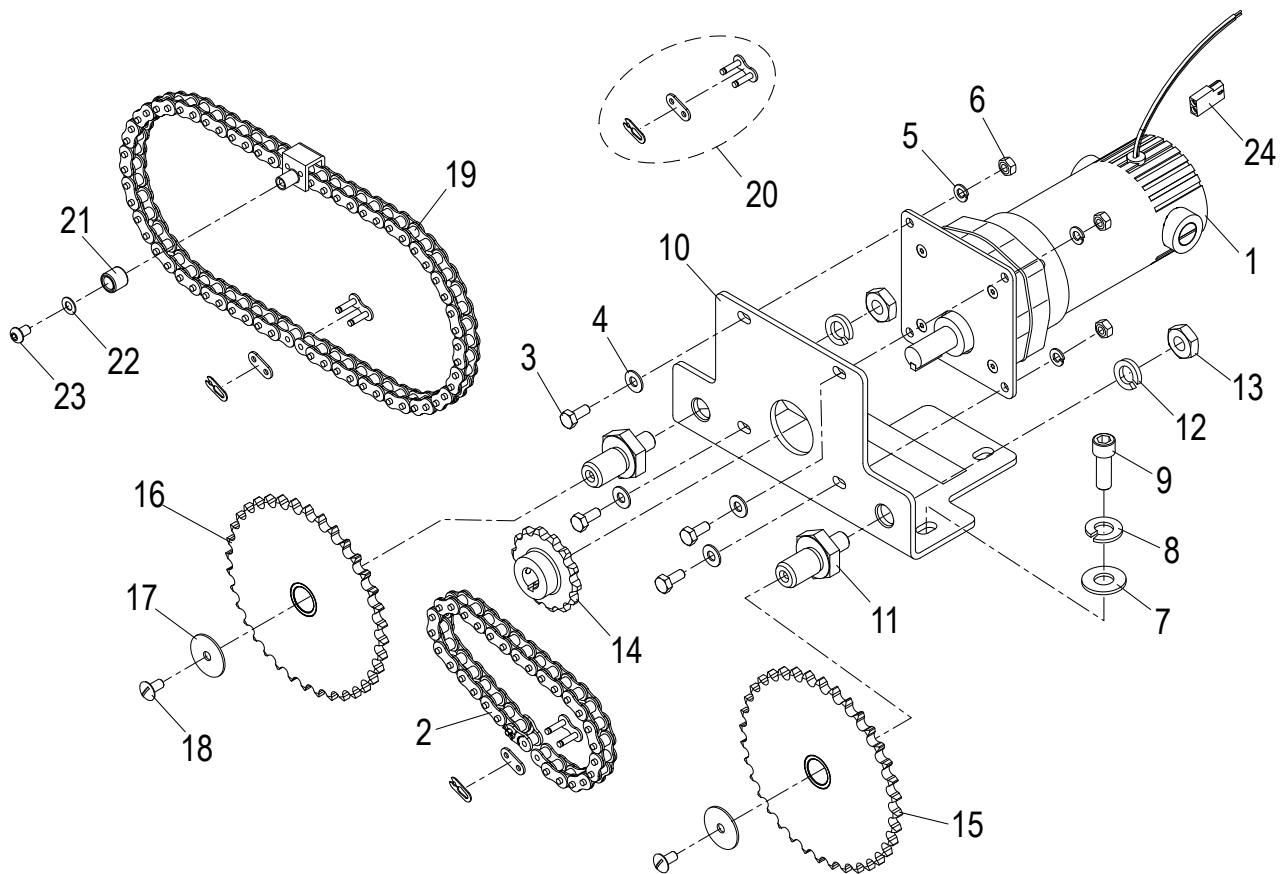
ITEM	PART DESCRIPTION	PART NUMBER	QUANTITY	
			MANUAL	AUTO
1	Upper Slide Assembly - Automatic Slicer	1278-A	-	1
2	Chain Slide Shaft	1079	-	1
3	Roll Pin	1235	-	1
4	Set Screw	1270	-	2
5	Upper Slide Assembly	1278	-	1
*6	Upper Slide Assembly - EZ Glide (Manual)	260070	1	-
7	Slide Bushing	436-7	2	2
8	Stud, Slide Rod Bushing	241-B	-	1
9	Nut	228	-	1
10	Felt, Oil	436-3	1	1
11	Spring Clip	436-4	1	2
12	Hole Plug	850-3	1	1
*13	Bearing	520200	1	1
*14	Lock Washer	890190	1	1
*15	Roller, Slide	520210	1	1
*16	Bolt, Shoulder	810370	2	1
17	Lower Slide Bushing	1342	-	1
18	Bracket, Magnet Mounting	1341	-	1
*19	Kit, EZ Glide Interlock Magnet	140063	1	-
*20	Bracket, Magnet Mounting - EZ Glide	330110	1	-
21	Magnet, Interlock	985-1	1	1
22	Screw	854-2	2	2
23	Lock Washer	854-7	2	2
24	Nut	854-3	2	2
25	Lock Washer	854-7	2	2
26	Screw	854-6	2	2
27	Upper Slide Rod	420050	1	1
28	Upper Rod Retaining Clip	857-1	1	1
29	Lower Slide Rod	420060	-	1
*30	Roller Slide Bar, Lower (EZ Glide System)	400070	1	-
*31	Slide Bar Set Screw (EZ Glide, Not shown)	810380	1	-
32	Lower Bar Retaining Clip	858-1	1	1
33	Slide Bar Washer	859	2	2
34	Screw	859-1	2	2
35	Slide Bumper	436-1	1	-
36	Spring, Sleeved - Upper Slide Rod	919-4	1	2
37	Carriage Receiver Assembly	210026	1	1
38	Shoulder Screw	460039	1	1
39	Lock Washer	245-A	2	2
40	Nut	478-2	2	2
32	Lubricating Oil	519	1	1

# 4000N CARRIAGE DRIVE COMPONENTS, AUTOMATIC SLICER



ITEM	PART DESCRIPTION	PART NUMBER	QTY
1	Auto/Manual Lever Assembly	1360	1
2	Bracket, Auto Engage	1055	1
3	Cam Assembly	1145	1
4	Fiber Washer	359	2
5	C-Clip	940-10	1
6	Plug	1299	1
7	Spring	1300	1
8	Set Screw, Knurled Cup Point	1291	1
9	Bracket, Microswitch	1053	1
10	Microswitch	1263	1
11	Screw	854-2	2
12	Lock Washer, External Tooth	854-7	2
13	Nut	854-3	2
14	Lock Washer, External Tooth	854-7	2
15	Screw, Truss head	900-1	2
16	Washer, Split Lock	1226	2
17	Screw, Button Head	1217	2
18	Auto-Engage Lever Assembly	1029	1
19	Lever Hub	1026	1
20	Shaft	1028	1
21	Knob	1202	1
22	Set Screw	810389	1
23	Boot, Auto-Engage Lever	520340	1
24	Chain Slide Assembly	1308	1
25	Bearing	1166	2
26	Actuator	1119	1
27	Screw, Flat Head	1089	2
28	Lock Nut	1297	1
29	Lock Washer	962-13	1
30	Eccentric Stud	1080	1
31	Engagement Spring Assembly	1361	1
32	Screw, Hex Head	1295	2
33	Lock Washer	245-A	2
34	Flat Washer	1288	2
35	Lock Washer	1226	2
36	Screw, Socket Head	1238	2
37	Rocker Assembly	1104	1
38	Cam Roller	1102	1
39	C-Clip	940-10	1

# 4000N CARRIAGE DRIVE MOTOR, AUTOMATIC SLICER



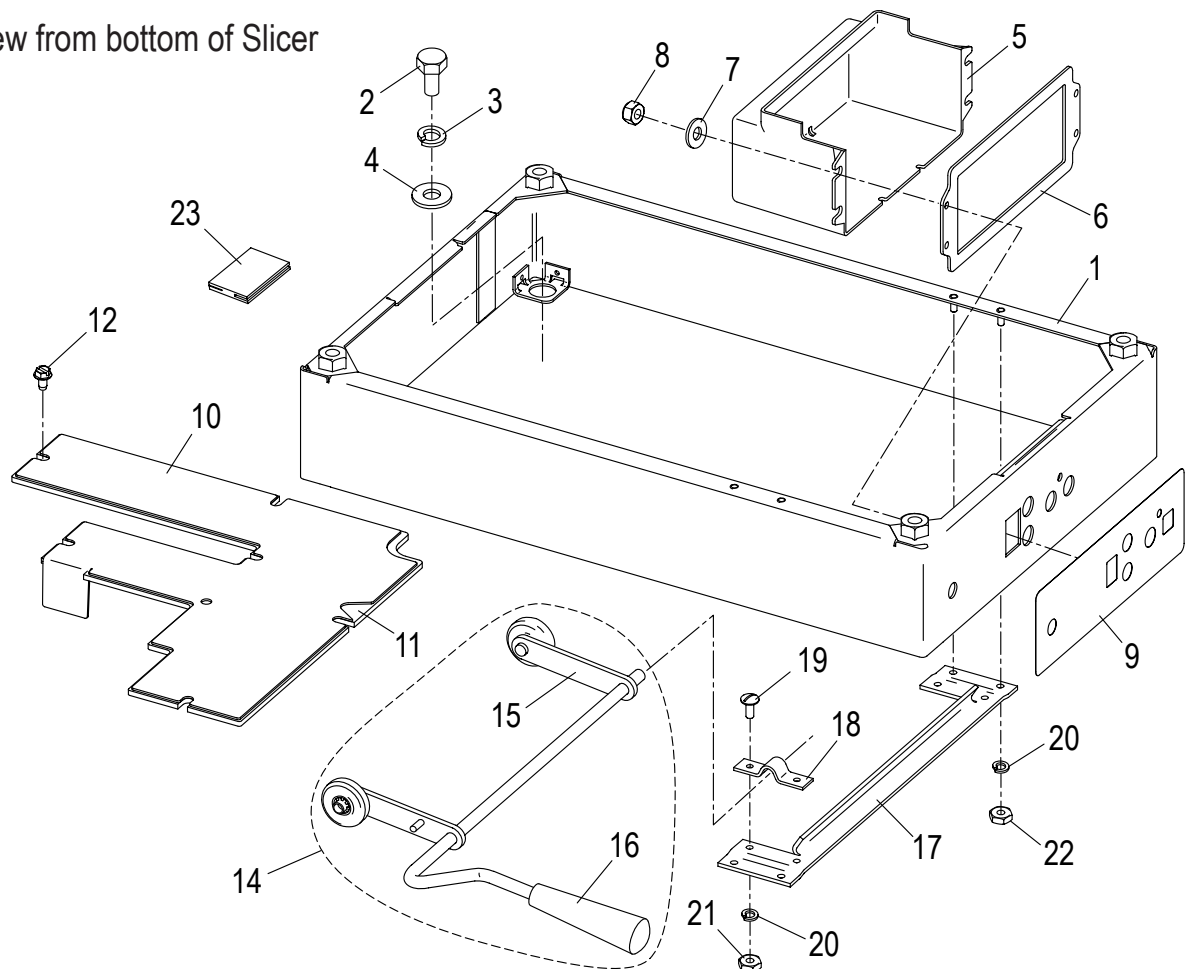
ITEM	PART DESCRIPTION	PART NUMBER	QTY
1	DC Gear Motor	982-KIT	1
2	Drive Chain (Includes Master Link P/N 1336)	1019	1
3	Screw	627-C	4
4	Flat Washer	825-2	4
5	Lock Washer	962-16	4
6	Nut	825-3	4
7	Flat Washer	1288	3
8	Lock Washer	245-A	3
9	Cap Screw	1298	3
10	Motor Mount Bracket	1082	1
11	Sprocket Stud	1118	2
12	Lock Washer	815	2
13	Nut	646	2
14	Motor Sprocket	1030	1
15	18 & 36 Tooth Sprocket	1285	1
16	36 Tooth Sprocket	1286	1
17	Sprocket Washer	608	2
18	Screw	762-6	2
19	Auto Drive Chain Assembly	1020	1
20	Master Link	1336	1
21	Cam Follower	1097	1
22	Flat Washer, Cam	870084	1
*23	Cam Screw	1107	1
24	Wire Connector	982-1MH	1

\*Must ship with Washer P/N 870084 (Item 22).



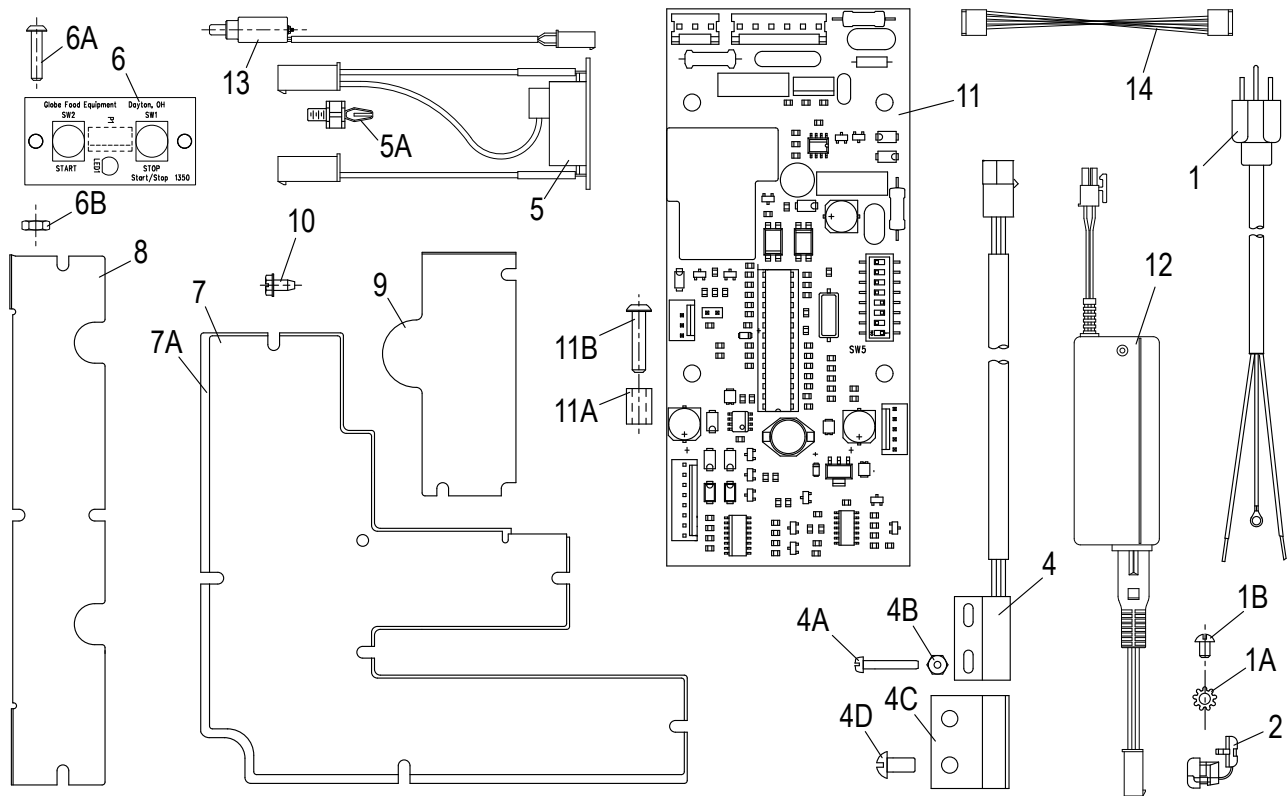
# 4000N BASE APRON & LIFT LEVER ASSY, AUTOMATIC SLICER

View from bottom of Slicer



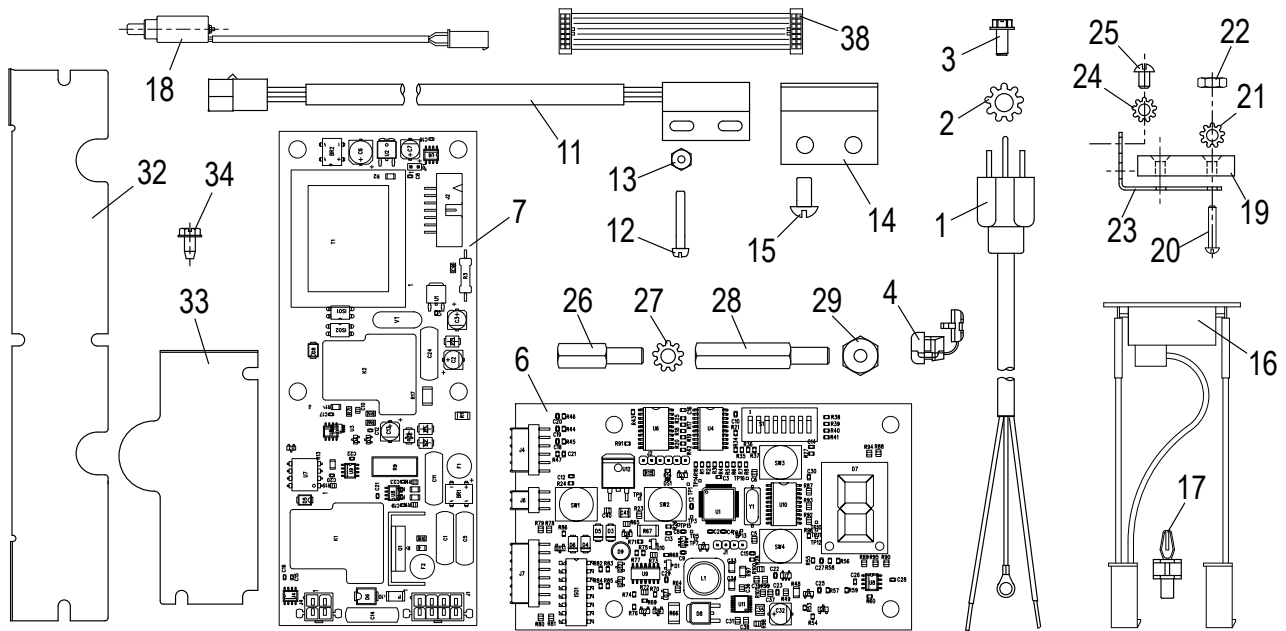
ITEM	PART DESCRIPTION	PART NUMBER	QTY
1	Base Apron	1046	1
2	Bolt	813	4
3	Flat Washer	881-4	4
4	Lock Washer	815	4
5	Cover, Electrical Box	520052	1
6	Gasket	1274	1
7	Flat Washer	870087	4
8	Lock Nut, Nylon Insert	810218	4
9	Overlay, Touchpad, 4975N	1159	1
	Overlay, Touchpad, 4913N	910032	
10	Gasket	1192	1
11	Cover, Wireway	320041	1
12	Screw	889	7
13	Cover, Bottom (Not shown)	340000	1
14	Lift Lever Assembly	1161	1
15	Lift Lever	1154	1
16	Lift Lever Handle	951-8	1
17	Support, Lift Lever	1155	1
18	Pivot Rod Clip	951-2	2
19	Screw	900-1	4
20	Lock Washer	1252	8
21	Hex Nut	760-5	4
22	Hex Nut	1276	4
23	Clip, Bottom Cover	550010	1
24	Label, Wiring Diagram (Not shown)	910215	1

# 4600N ELECTRICAL SYSTEM COMPONENTS, MANUAL SLICER



ITEM	PART DESCRIPTION	PART NUMBER	QTY
1	Power Cord	130205	1
1A	Lock Washer	854-7	1
1B	Ground Screw (Green)	890409	1
2	Strain Relief, Power Cord	877	1
3	Wire Harness, 110VAC (Not shown)	130121	1
4	Proximity Switch (Home, Timer & Knife Guard)	130020	3
4A	Screw, Switch Mounting	995-31	4
4B	Nut, Switch Mounting	854-3	4
4C	Bracket, Switch Mounting - Knife Guard	1133	1
4D	Screw, Bracket Mounting	1223	2
5	Motor Start Switch Assembly, Solid State, 110VAC	130050	1
5A	Stand-off, Motor Start Switch	1250	2
6	Circuit Board, Start/Stop	1350	1
6A	Screw, Circuit Board Mounting	1218	2
6B	Nut, Circuit Board Mounting	765-5	2
7	Cover, Wireway	320020	1
7A	Gasket, Wireway Cover	1192	1
8	Wireway Cover #2	1136	1
9	Wireway Cover #3	1137	1
10	Screw, Wireway Cover	889	14
11	Circuit Board/Logic	120033	1
11A	Stand-Off, Circuit Board Mounting	1216	4
11B	Screw, Circuit Board Mounting	1218	4
12	Power Supply, 24V	130060	1
13	Solenoid Assembly, Gauge Plate Lock-Out	130090	1
14	Jumper Cable	1377	1

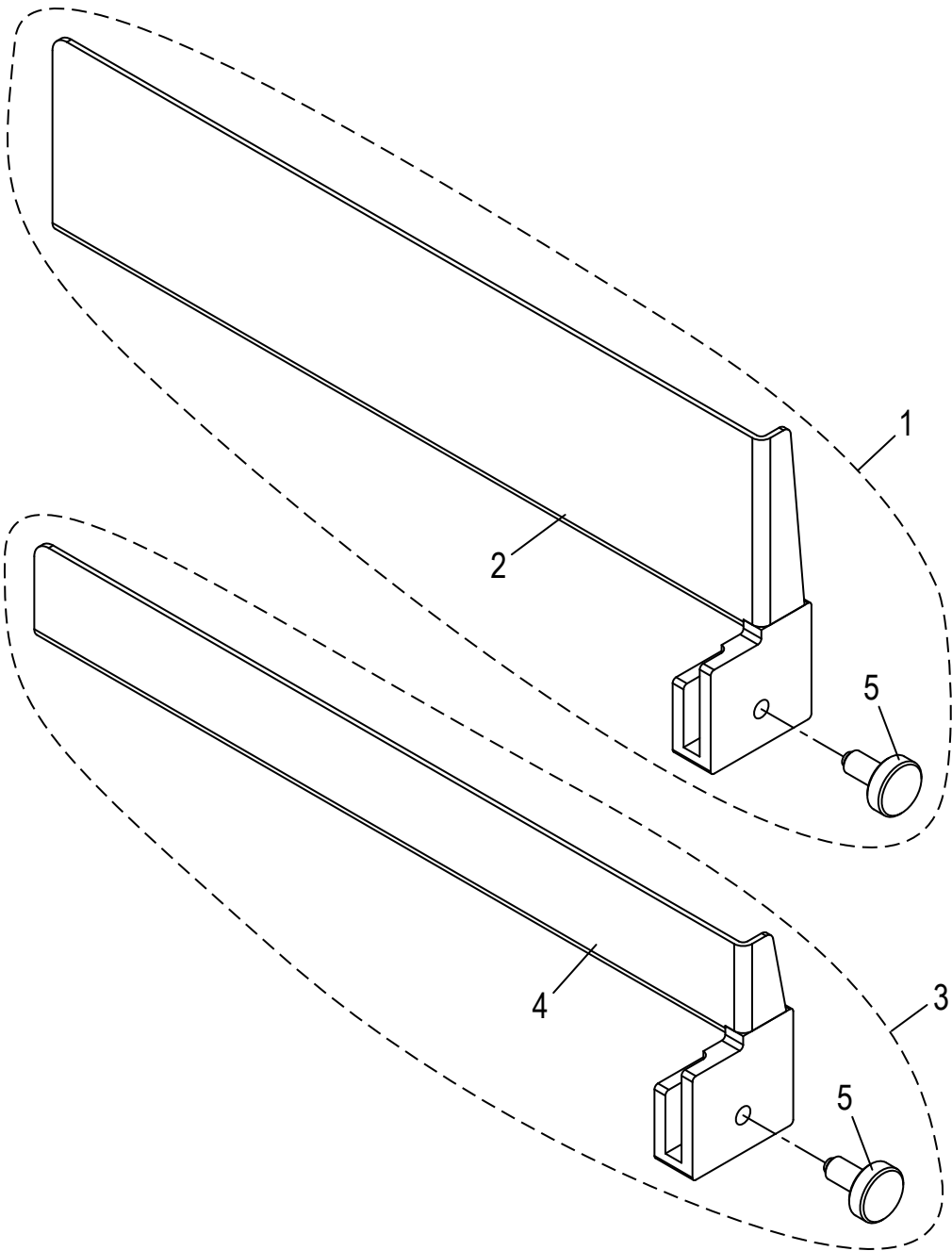
# 4000N ELECTRICAL SYSTEM COMPONENTS, AUTO SLICER



ITEM	PART DESCRIPTION	PART NUMBER	QTY
1	Power Cord	132-3	1
2	Lock Washer, Ground Screw	854-7	2
3	Screw, Power Cord Ground (Green)	890409	2
4	Strain Relief, Power Cord	877	1
5	Wire Harness, 110VAC (Not shown)	130203	1
6	PC Board, Controller/Logic	011002	1
7	Circuit Board, Power Supply, 110VAC	011012	1
*8	Cover, Electrical Box, (Not shown)	520052	1
*9	Flat Washer (Electrical Box Mounting, Not shown)	870087	4
*10	Nut, Nylon Insert (Electrical Box Mounting., Not shown)	810218	4
11	Proximity Switch (Home, Timer & Knife Guard)	130020	2
12	Screw, Switch Mounting	995-31	4
13	Nut, Switch Mounting	854-3	4
14	Bracket, Switch Mounting - Knife Guard	310130	1
15	Screw, Knife Guard Bracket	1223	2
16	Motor Start Switch Assembly, Solid State, 110VAC	130050	1
17	Stand-off, Motor Start Switch	1250	2
18	Solenoid Assembly, Gauge Plate Lock-Out	130090	1
19	Magnet, Interlock	985-1	1
20	Screw, Magnet Mounting	854-2	2
21	Lock Washer, External Tooth	854-7	2
22	Nut, Magnet Mounting	854-3	2
23	Bracket, Magnet Mounting	1341	1
24	Lock Washer, External Tooth	854-7	2
25	Screw, Bracket Mounting	854-6	2
26	Hex Stand-off, Controller Board Mounting (1/2" Long)	1294	4
27	Lock Washer, External Tooth	854-7	4
28	Hex Standoff, Power Board Mounting (1.75" Long)	180108	4
29	Nut, Nylon Insert (Power Supply Circuit Board)	1219	4
30	Ribbon Cable, Pwr Bd/Controller Board	1367	1
31	Ribbon Cable Retaining Clip (Not shown)	180100	2
32	Wireway Cover # 2	1136	1
33	Wireway Cover # 3	1137	1
34	Screw, Wireway Cover	889	7

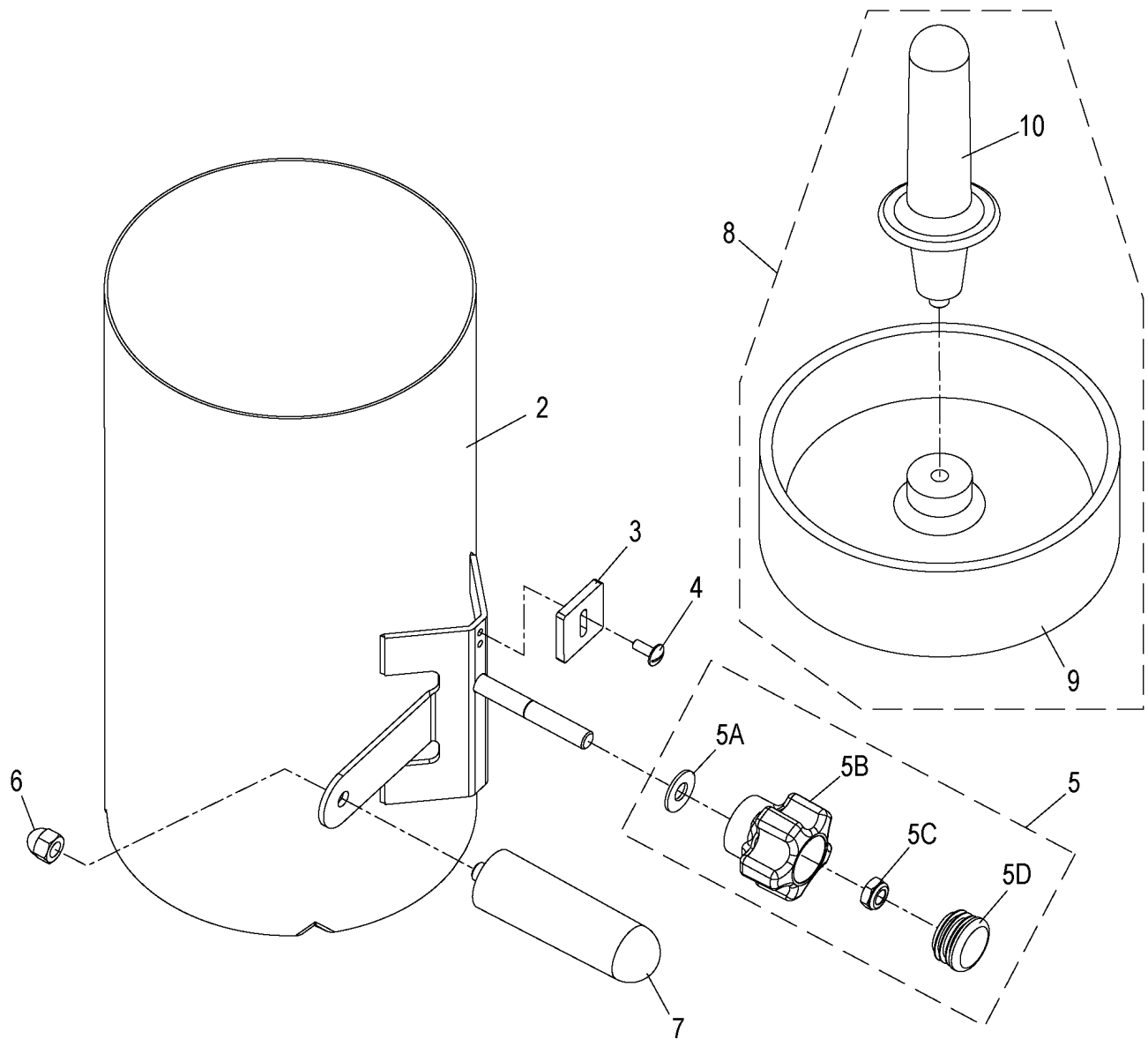
\*Electrical Box and mounting hardware shown with Lift Lever/Apron parts.

# 4000N CARRIAGE FENCE ACCESSORIES



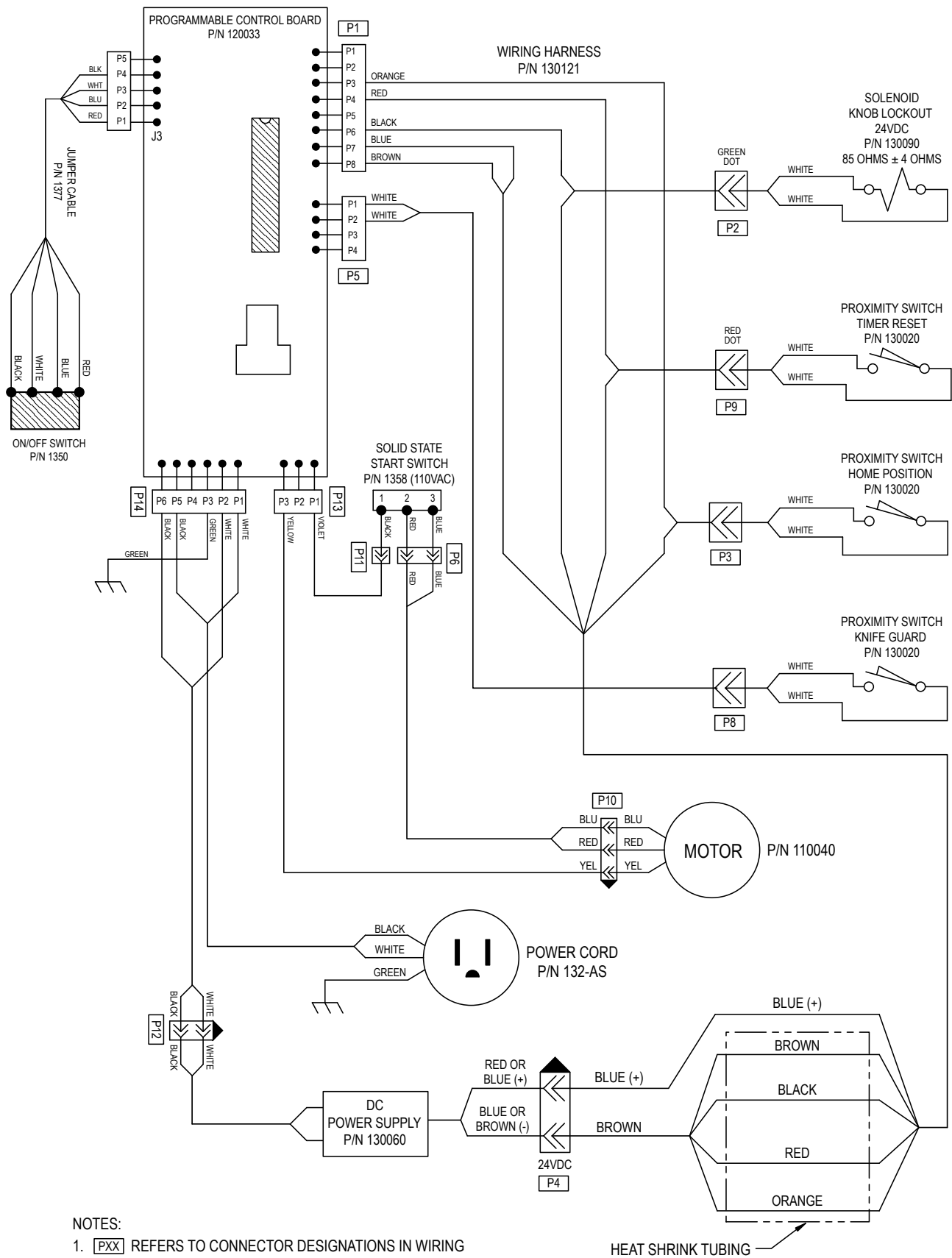
ITEM	DESCRIPTION	PART NUMBER	QTY
1	Fence Assembly, 12" X 3"	1326	1
2	Fence, 12" X 3"	1048	1
3	Fence Assembly, 12" X 1-3/8"	1047	1
4	Fence, 12" X 1-3/8"	1051	1
5	Clamp Thumb Screw	1052	1

# 4000N VEGETABLE HOPPER ASSEMBLY



ITEM	PART DESCRIPTION	PART NUMBER	QTY
1	Vegetable Hopper Assembly	699-BAS	1
2	Hopper Body with Support and Stud	030041	1
3	Hopper Stop	699-33	1
4	Hopper Stop Screw	900-1	1
5	Hopper Support Knob Assembly	510011	1
5A	Flat Washer	-	1
5B	Knob	-	1
5C	Nut, Nylon Insert	-	1
5D	Cap	840002	1
6	Acorn Nut	699-32	1
7	Hopper Handle	482-B	1
8	Hopper End Weight Assembly	699-16	1
9	Hopper End Weight	699-17	1
10	Hopper End Weight Handle	741-SS3	1

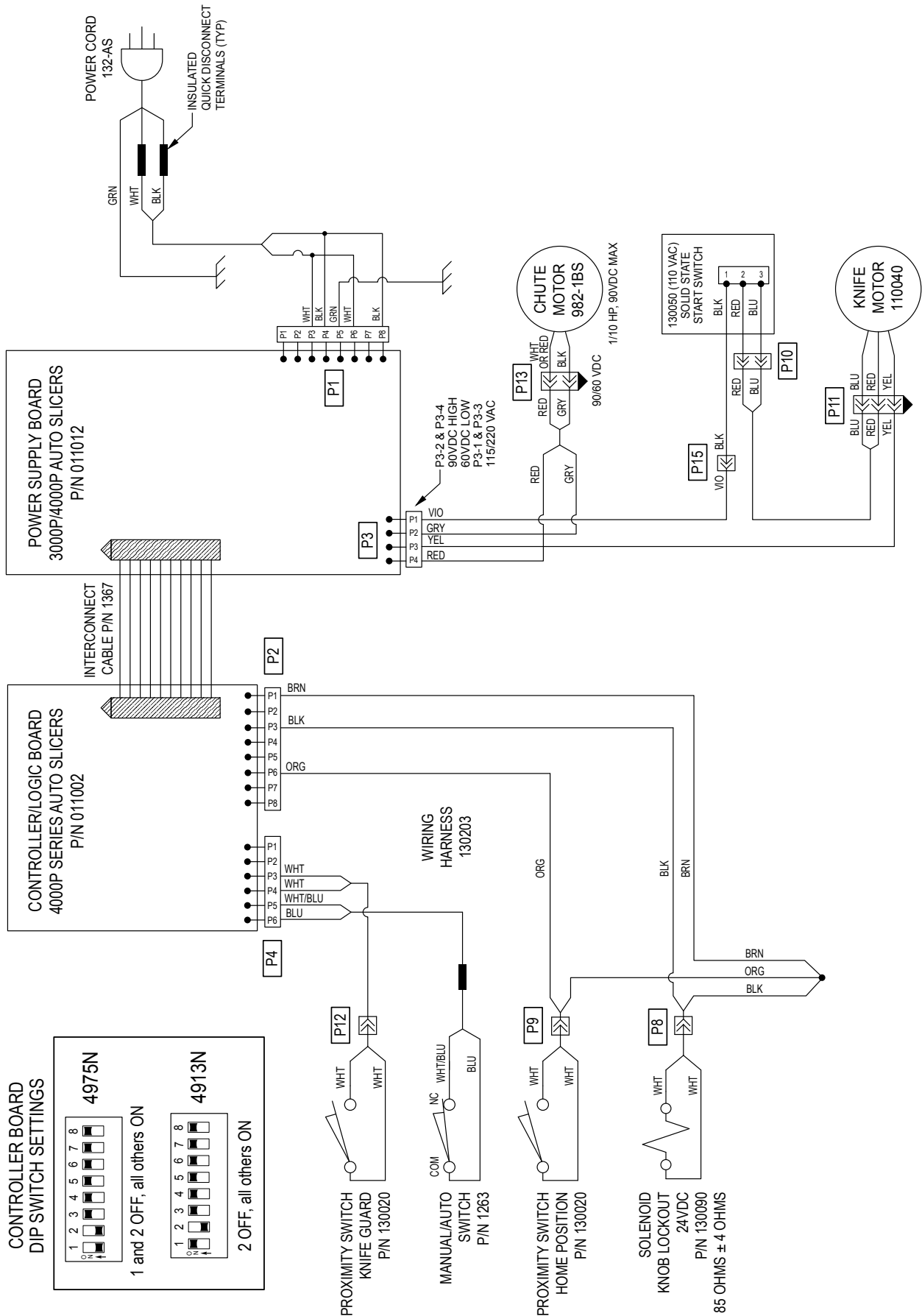
# MANUAL SLICER SCHEMATIC, MODEL 4600N



**NOTES:**

1. [PXX] REFERS TO CONNECTOR DESIGNATIONS IN WIRING HARNESS. SEE DRAWING NUMBER 130121.

# AUTOMATIC SLICER SCHEMATIC - MODELS 4975N & 4913N



# NOTES





