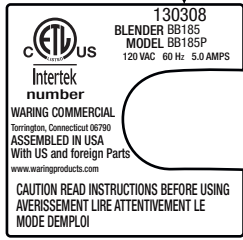


Unit Date Code



SAMPLE Data Decal

NOTE:

3 Part Changes
Starting With **Unit Date Code 130308**
That Can **NOT** be
Interchanged With Previous
Unit Date Codes

Blade Assembly - Coupling - Motor



NuBlend Commercial Blenders
with Electronic Membrane Keypad

BB185

44 oz. Eastman container

BB185S

32 oz. stainless steel container

Marked for Deletion

NDG185 (on 3/6/2013)

Next Day Gourmet 44 oz. Eastman container

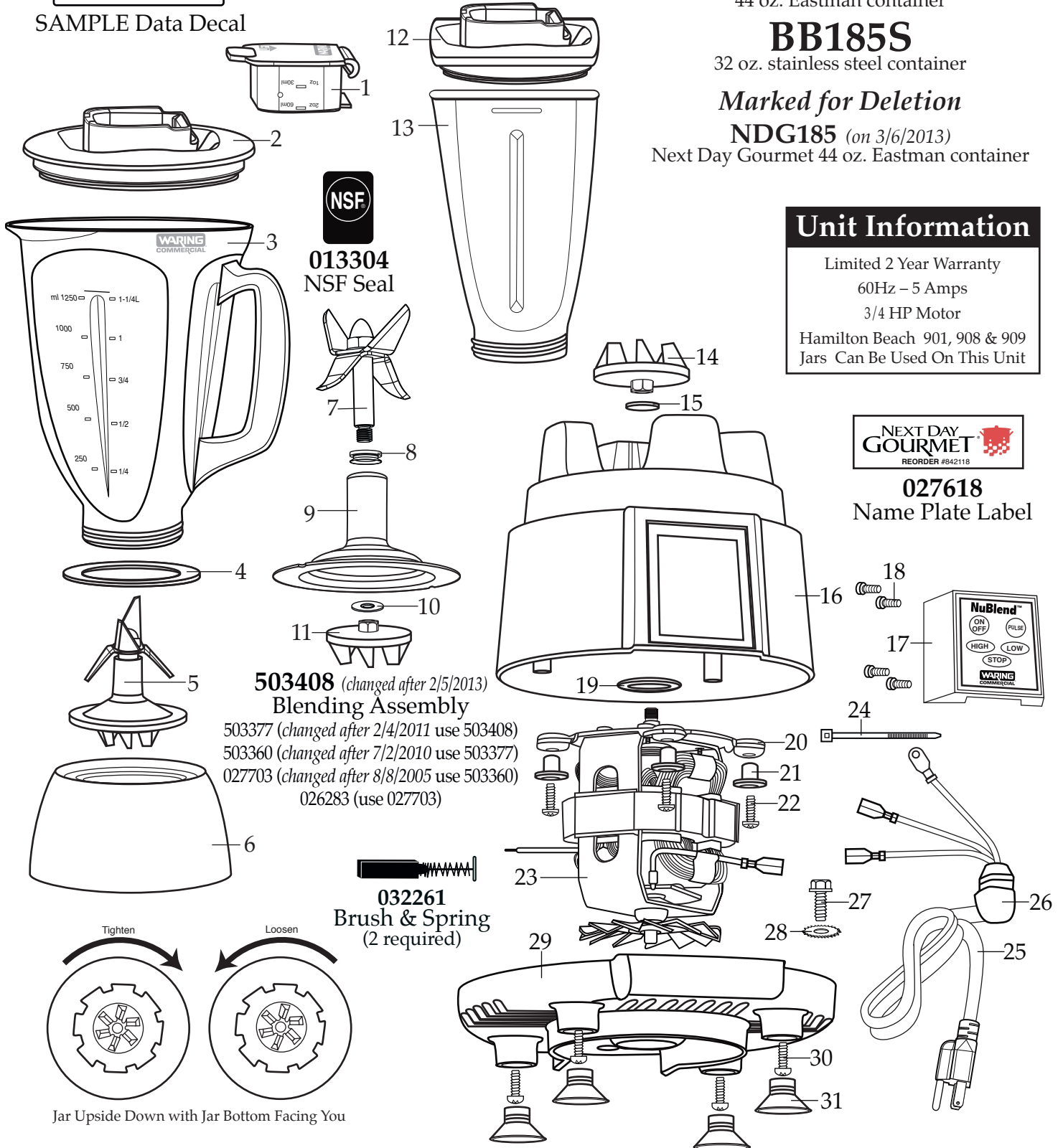
Unit Information

Limited 2 Year Warranty
60Hz - 5 Amps
3/4 HP Motor
Hamilton Beach 901, 908 & 909
Jars Can Be Used On This Unit



027618

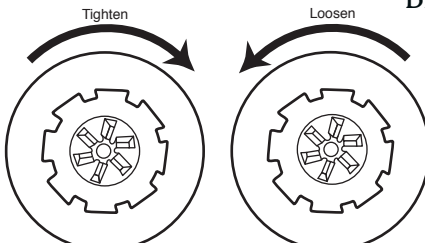
Name Plate Label



013304
NSF Seal

503408 (changed after 2/5/2013)
Blending Assembly
503377 (changed after 2/4/2011 use 503408)
503360 (changed after 7/2/2010 use 503377)
027703 (changed after 8/8/2005 use 503360)
026283 (use 027703)

032261
Brush & Spring
(2 required)



Jar Upside Down with Jar Bottom Facing You

Catalog#**Model**

BB185	BB185P <i>(on units after 2/15/2010)</i>	BB185 MT (Type 25) <i>(on units after 10/5/2004)</i>
	BB185T <i>(on units after 8/25/2003)</i>	BB185
BB185S	BB185S <i>(on units after 2/15/2010)</i>	BB185S MT (Type 25) <i>(on units after 10/5/2004)</i>
NDG185	BB185P <i>(on units after 2/15/2010)</i>	BB185 MT (Type 25) <i>(on units after 10/5/2004)</i>



Illustration #	Part #	Description
1	026282-E	Cover Lid <i>(changed after 10/27/2010)</i>
2	026281-V	Jar Lid <i>(changed after 10/27/2010)</i>
3	026280-E	44 oz. Eastman Container <i>(changed after 10/27/2010)</i>
4	026284	Jar Seal
5	503408	Blending Assembly <i>(on units after 2/5/2013)</i>
6	026285	Jar Bottom
7	503407 503378	Blade Assembly <i>(on units after 2/5/2013)</i> Blade & Shaft Assembly
8	027716	V Seal
9	503358	Bearing Holder
10	030426	Nylon Washer
11	032453 027097	Coupling <i>(on units after 2/5/2013)</i> Coupling
12	026852-V	Jar Cover
13	026851	32 oz. Stainless Steel Container
14	032453 027097	Coupling <i>(on units after 2/5/2013)</i> Coupling
15	026413 003507	Cap Washer <i>(on units after 6/1/2011)</i> Washer
16	028212	Top Housing <i>(changed after 4/18/2006)</i>
17	026266	Control Module Panel
18	026267	Screw (4 required)
19	026269	Upper Motor Mount
20	026841	Rubber Bushing (4 required)
21	026690	Eyelet (4 required)
22	026716	Screw (4 required)
23	033056 029794	ECM Motor <i>(on units after 2/5/2013)</i> ECM Motor
24	013731	Cable Tie
25	502835	Cord Set
26	013680	Strain Relief
27	027278 002436	Ground Screw <i>(on units after 7/10/2006)</i> Ground Screw
28	002943	Lock Washer

Catalog#

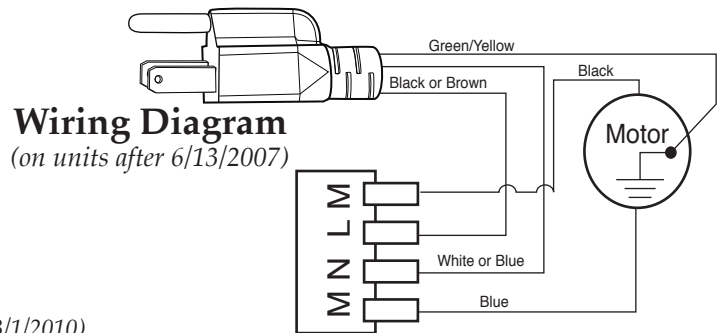
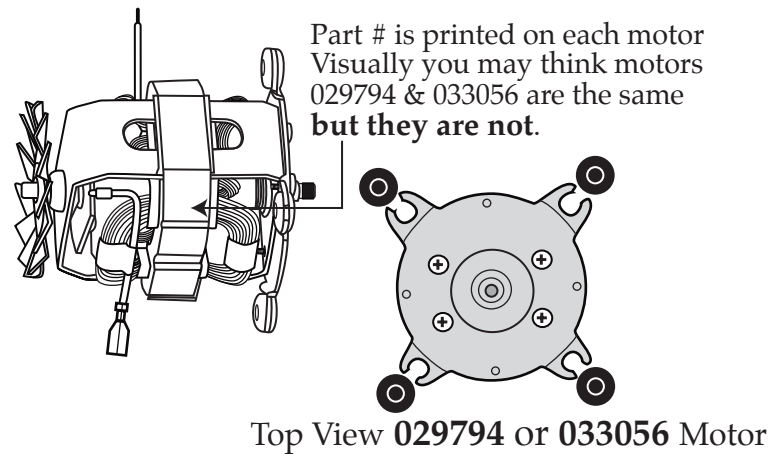
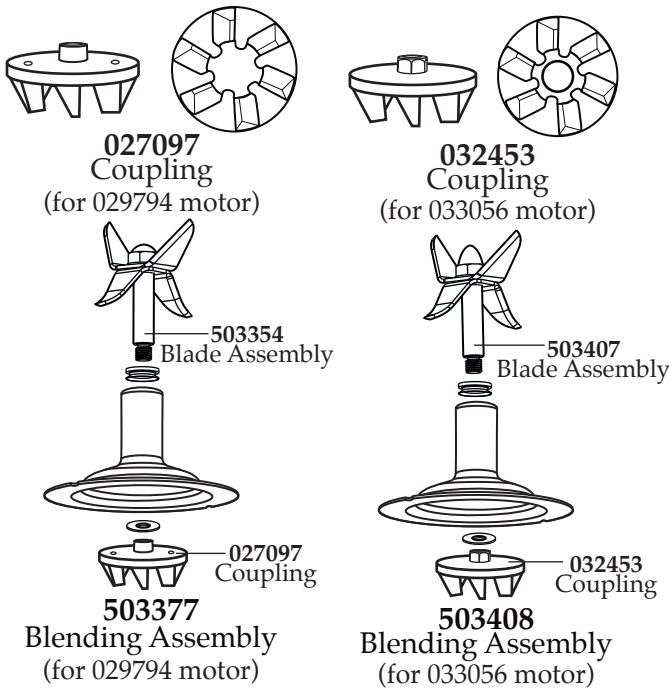
Model

Waring Factory Service Center
314 Ella T. Grasso Ave.
Torrington, CT 06790
Tele. 1-800-269-6640

Fax 860-496-9017
www.waringcommercialproducts.com

BB185	BB185P <i>(on units after 2/15/2010)</i>	BB185 MT (Type 25) <i>(on units after 10/5/2004)</i>
	BB185T <i>(on units after 8/25/2003)</i>	BB185
BB185S	BB185S <i>(on units after 2/15/2010)</i>	BB185S MT (Type 25) <i>(on units after 10/5/2004)</i>
NDG185	BB185P <i>(on units after 2/15/2010)</i>	BB185 MT (Type 25) <i>(on units after 10/5/2004)</i>

Illustration #	Part #	Description
29	028580-X	Bottom Housing ONLY <i>(on units after 10/11/2007)</i>
	026464	Bottom Housing ONLY <i>(on units after 2/22/2005)</i>
	027063	Bottom Housing ONLY <i>(on units after 8/26/2003)</i>
	502919	Bottom Housing with Reset Switch Assembly <i>(on units after 8/26/2003)</i>
	026464	Bottom Housing ONLY
30	026276	Screw (4 required)
31	026278	Suction Cup Foot (4 required)



Parts No Longer Used
 (limited availability)

