

Parts Catalog



G12A Slicer

SLICING MACHINE

MODEL: G12A

01-07-16N

Serial Number 600748 and Up

IMPORTANT!

TO EXPEDITE SHIPMENT OF PARTS, ALWAYS SPECIFY MODEL, REV,
PART NUMBER, AND SERIAL NUMBER OF SLICER.

GLOBE FOOD EQUIPMENT COMPANY

2215 East River Road

Dayton, Ohio 45439

Parts Department

Toll Free 1-800-745-6238 • Fax (937) 290-0585

E-Mail: info@globefoodequip.com

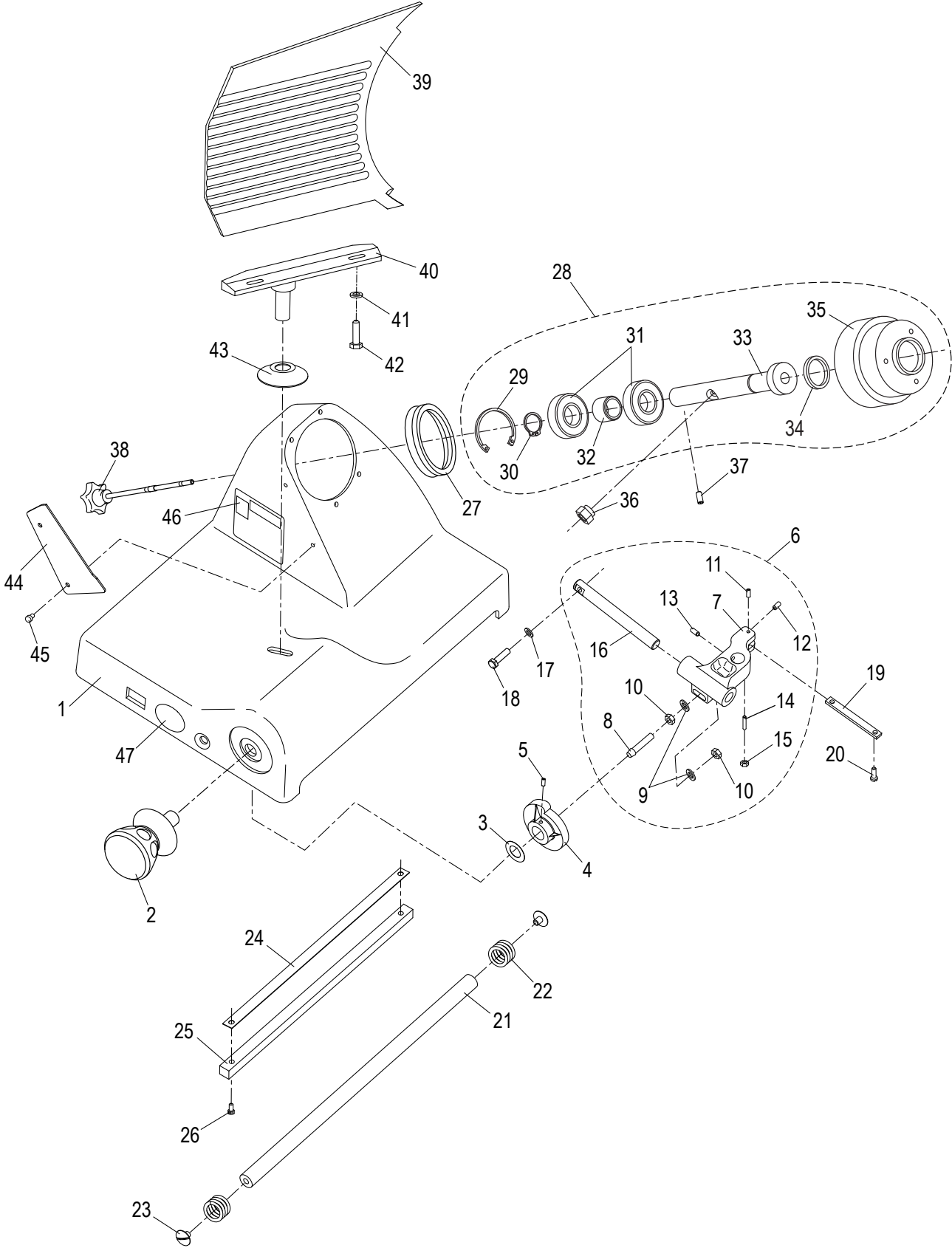
Website: www.globefoodequip.com

Not for resale

TABLE OF CONTENTS

Serial Number 600748 and Up	Page
Base Components	1 - 2
Chute Components	3
Knife & Sharpener Components	4
Auto Drive Components	5 - 6
Electrical Components	7
Wiring Diagram	8

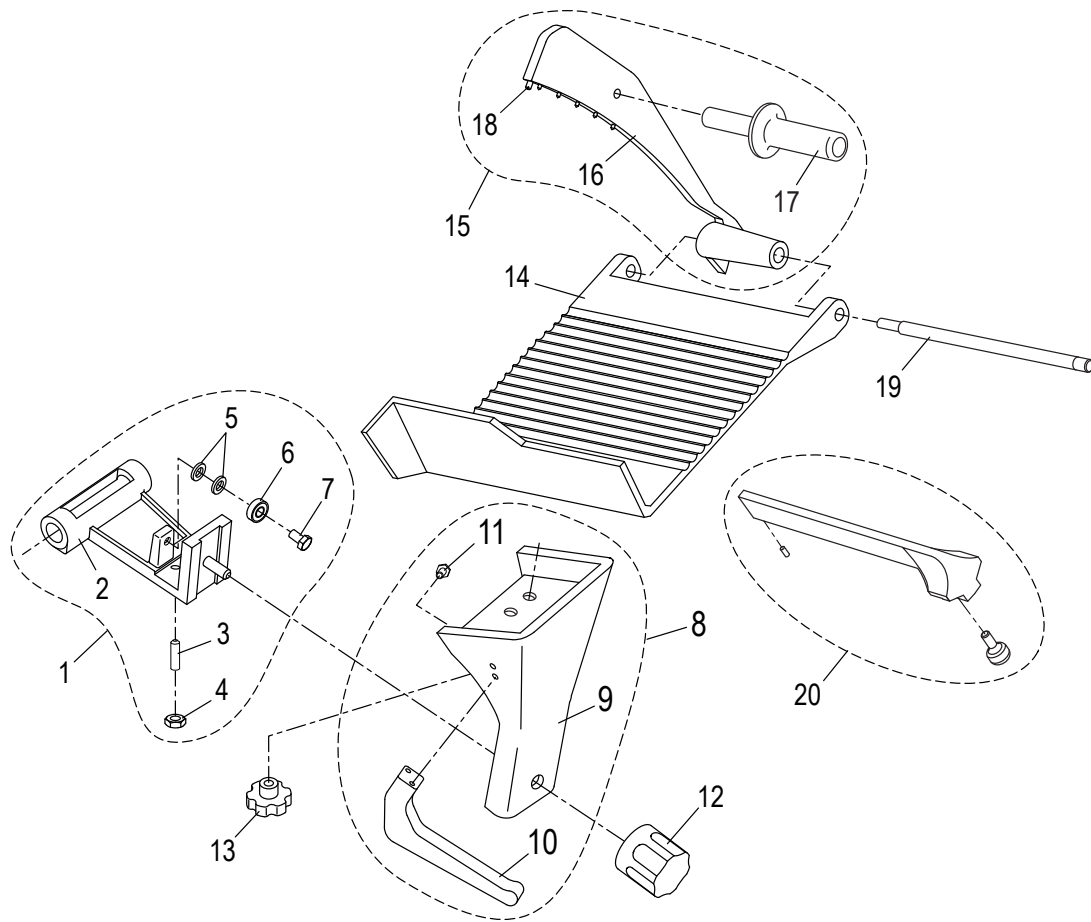
G12A BASE COMPONENTS



G12A BASE PARTS LIST

Item	Description	Qty	Part Number	Hardware
1	Slicer Base	1	-	
2	Table Adjustment Knob	1	M00209	
3	Wave Washer	1	M003	
4	Table Adjustment Cam	1	M004	
5	Set Screw , Table Adjustment Cam	2	H00181	
6	Table Slide Assembly (Items 8-17)	1	M305	
7	Table Slide	1	-	
8	Stud, Cam Actuator	1	M013	
9	Flat Washer	2	H00191	
10	Hex Nut, Table Slide Bottom	2	H00192	
11	Set Screw, Table Slide Top	1	H00182	
12	Set Screw, Table Slide End	1	H00185	
13	Set Screw, Table Slide Side	2	H00186	
14	Set Screw, Table Slide Bottom	1	H00188	
15	Hex Nut , Table Slide Bottom	1	H00028	
16	Table Slide Rod	1	MR36	
17	Slide Rod Flat Washer	2	H00191	
18	Slide Rod Screw, Hex Head	2	H00116	
19	Table Slide Plate	1	M016	
20	Slide Plate Screw	2	H00061	
21	Carriage Slide Rod	1	M059	
22	Carriage Spring	2	M061	
23	Slide Rod Screw	2	M060	
24	Wear Strip, Slide Bar	1	M063	
25	Slide Bar, Square	1	M062	
26	Slide Bar Screw	2	H00056	
27	Motor Hub Seal	1	MGI77/5	
28	Knife Hub Assembly (Items 30-36)	1	M319	
29	Retaining Ring, Internal	1	H00193	
30	Retaining Ring, External	1	H00195	
31	Bearing	2	M020	
32	Spacer, Knife Pulley	1	M021	
33	Shaft, Knife Hub	1	M00241	
34	Oil Seal, Hub	1	MR12/7	
35	Pulley, Knife Hub	1	MCR12/2	
36	Microswitch Mounting Bolt	1	MCR61	
37	Knife Shaft Set Screw	1	H00184	
38	Knife Cover Release Knob	1	M00225	
39	Table	1	M00232	
40	Table Support	1	M00227	
41	Table Support Washer	2	H00191	
42	Table Support Screw	2	H00196	
43	Hole Cover, Base	1	M00228	
44	Knife Wiper	1	M097	
45	Thumb Screw, Knife Wiper	2	MCC23	
46	Warning label	1	M91022	
47	Label, Globe Logo	1	M91021	

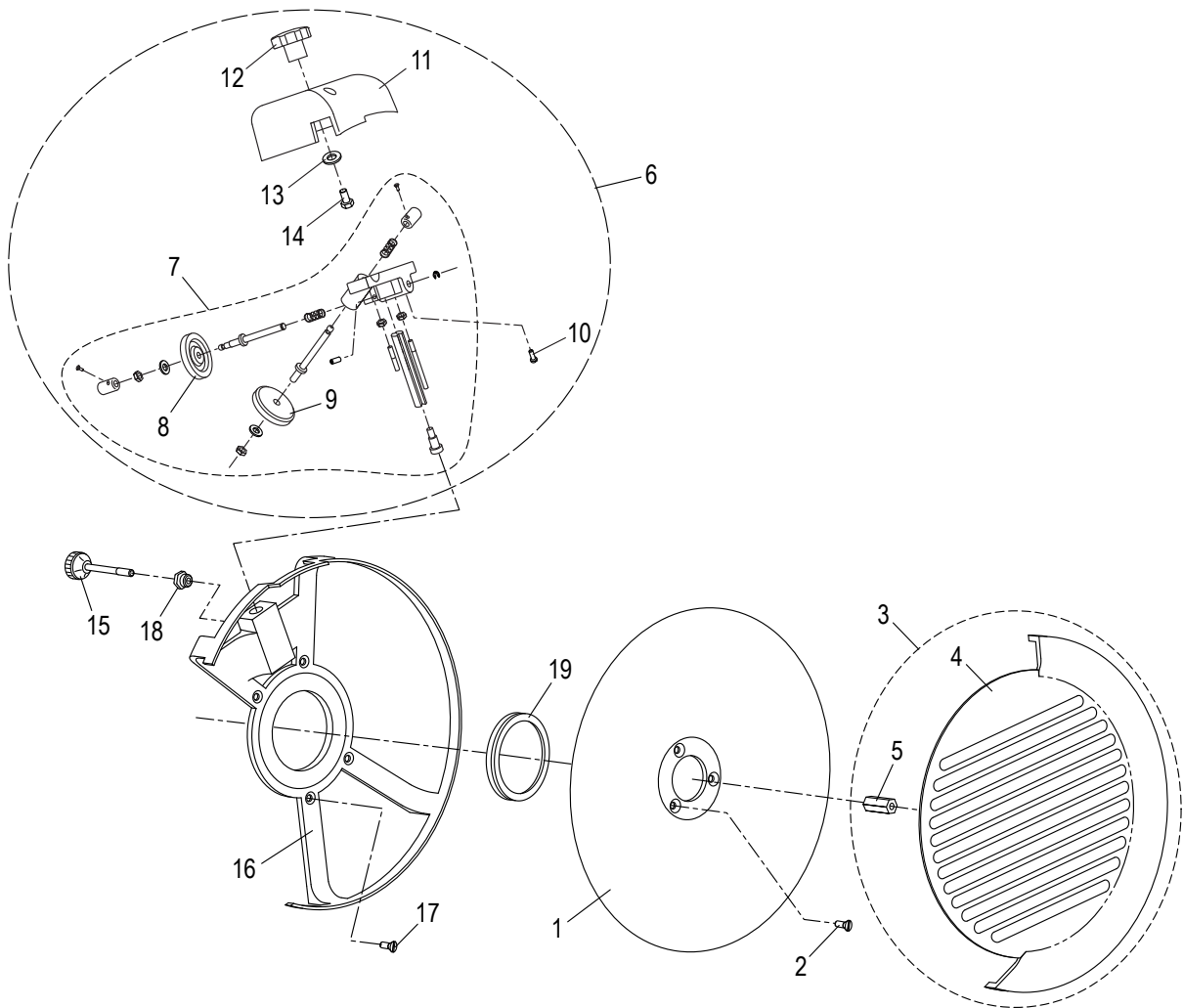
G12A CHUTE COMPONENTS



Item	Description	Qty	Part Number	Hardware
1	Chute Slide Assy (Item 2 - 7)	1	M00291	
2	Chute Slide	1	-	
3	Brass Stud	1	M053	
4	Stud Nut	1	H00192	
5	Bearing Washer	2	H00191	
6	Bearing	1	M056	
7	Bearing Screw	1	H00117	
8	Chute Support Assembly (Item 9 - 12)	1	M00282	
9	Chute Support	1	M00363	
10	Chute Support Handle	1	M067	
11	Chute Support Handle Screw	2	H00156	
12	Chute Support Knob	1	M00268	
13	Chute Release Knob	1	M00254	
14	Chute	1	M00386	
			*M01068	
15	End Weight Assembly (Item 17 - 19)	1	M00286	
			*M01069	
16	End Weight	1	-	
17	End Weight Handle	1	M00261	
18	End Weight Bumper	1	MC39	
			*M01070	
19	End Weight Rod	1	M00283	
			*M01071	
20	Chute Fence Assembly	1	M500A	

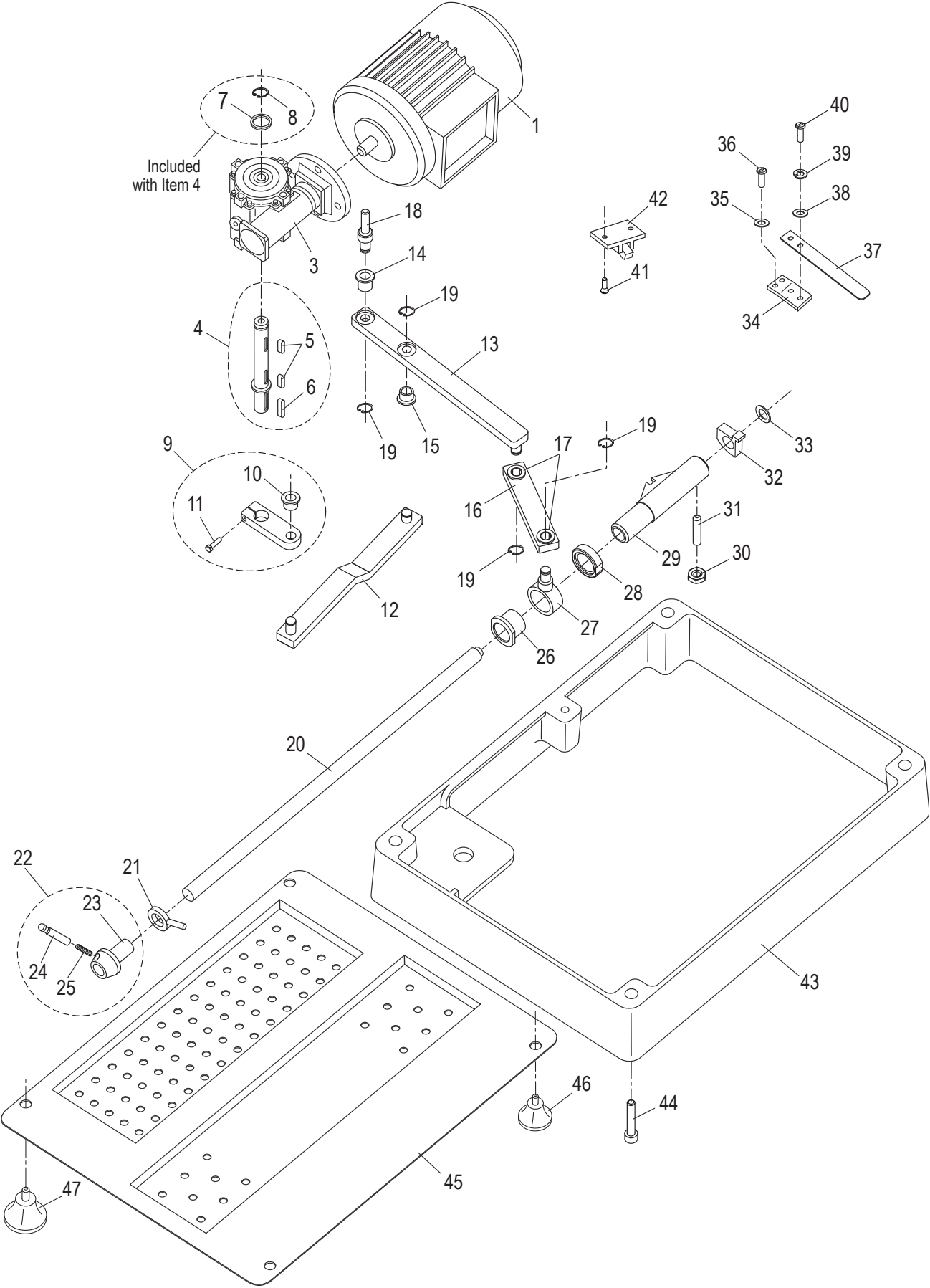
* Use after Serial Number 601330

G12A KNIFE AND SHARPENER COMPONENTS



Item	Description	Qty	Part Number	Hardware
1	Knife	1	M047	
2	Knife Mounting Screw	3	H00201	56-A
3	Knife Cover Assembly	1	M349	
4	Knife Cover	1	-	
5	Knife Cover Insert	1	M049A	
6	Sharpener Assembly with Cover	1	M377	
7	Knife Sharpener Assembly	1	MC017	
8	Deburring Stone	1	M092	
9	Sharpening Stone	1	MCC17	
10	Sharpener Cover Screw	2	H00187	M5 x 0.8 x 15mm
11	Sharpener Cover	1	M074	
12	Sharpener Cover Knob	1	M075	
13	Cover Knob Washer	1	M035	
14	Cover Knob Screw	1	H00197	M6 x 16mm - Zinc
15	Sharpener Release Knob	1	M096	
16	Knife Rim Guard	1	M044	
17	Rim Guard Mounting Screw	4	H00435	
18	Knife Rim Guard Insert	1	M045	
19	Knife Seal, V Ring - VA 80	1	M00405	

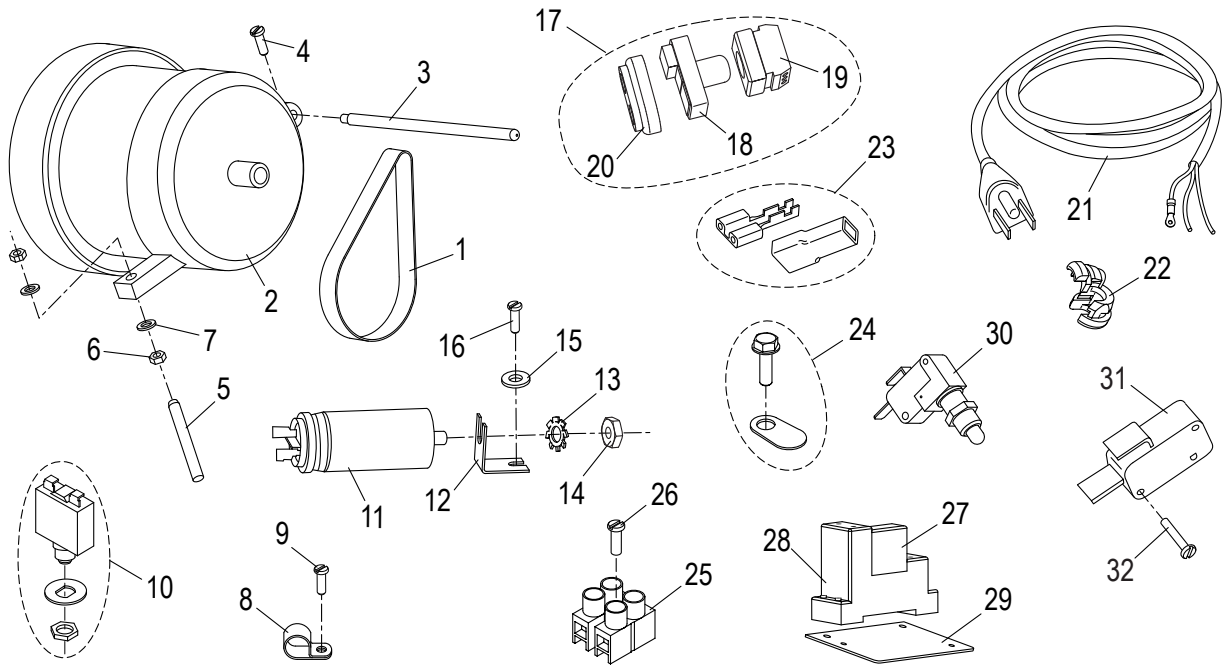
G12A AUTO DRIVE COMPONENTS



G12A AUTO DRIVE PARTS LIST

Item	Description	Qty	Part Number	Hardware
1	Chute Motor	1	M120	
2	Motor Key (Not Shown)	1	M120-K	
3	Reducing Gear	1	M121	
4	Auto Drive Shaft (Item 5 - 8)	1	M129	
5	Machine Key	2	H00323	
6	Machine Key	1	H00324	
7	Spacer	1	-	
8	Retaining Ring, External	1	H00317	
9	Auto Drive Coupling	1	M130	
10	Sleeve Bearing, Long	1	M137	
11	Coupling Screw	1	H00043	
12	Connecting Rod A	1	M131	
13	Connecting Rod C	1	M133	
14	Sleeve Bearing, Long	1	M137	
15	Sleeve Bearing, Short	1	MCRS8/2	
16	Connecting Rod B	1	M132	
17	Sleeve Bearing, Long	2	M137	
18	Pivot	1	M144	
19	Retaining Ring, External	4	H00317	
20	Chute Slide Rod	1	M127	
21	Stop Ring	1	M147	
22	Auto Engage Lever Hub Assembly	1	M01076	
23	Auto Engage Lever Hub	1	-	
24	Auto Engage Lever	1	-	
25	Set Screw	1	-	M3 x .5 x 20mm
26	Bushing, Chute Slide (Nylon)	1	M125	
27	Actuator Slide Ring	1	M124	
28	Chute Slide Nut (Nylon)	1	M123	
29	Chute Slide Tube	1	M122	
30	Chute Slide Stud	1	M126	
31	Jam Nut	1	H00318	
32	Cam	1	M136	
33	Wavy Washer	1	MB32	
34	Engagement Spring Mounting Bracket	1	M135	
35	Mounting Bracket Washer	2	H00063	
36	Mounting Bracket Screw	2	H00319	
37	Engagement Spring	1	M134	
38	Engagement Spring Washer	2	H00063	
39	Engagement Spring Lock Washer	2	H00011	
40	Engagement Spring Mounting Screw	2	H00061	
41	Chute Slide Coupling	1	M143	
42	Slide Coupling Mounting Screw	2	H00305	
43	Apron, Chute Drive	1	M118BA	
44	Apron Mounting Screw	4	H00316	
45	Bottom Cover	1	M00325	
46	Back Foot	2	M115	
47	Front Foot	2	M00229	

G12A ELECTRICAL COMPONENTS



Item	Description	Qty	Part Number	Hardware
1	Drive Belt	1	M024	
2	Knife Motor	1	M030	
3	Post, Motor Pivot	1	M031	
4	Screw	1	H00189	
5	Set Screw	1	M033	
6	Hex Nut	2	M034	
7	Flat Washer	2	M035	
8	Cable Clamp	1	M037	
9	Cable Clamp Screw	1	H00061	
10	Motor Reset Switch	1	M038	
11	Capacitor, 16 μ f	2	M039	
12	Capacitor Mounting Bracket	2	-	
13	Lock Washer	2	H00335	
14	Hex Nut	2	H00192	
15	Capacitor Washer	2	H00063	
16	Capacitor Mounting Screw	2	H00061	
17	Power Switch Assembly	1	M01081	
18	Operator Push Button	1	MCB58	
19	Power Switch Electrical Card	1	-	
20	Power Switch Cover	1	-	
21	Power Cord & Plug	1	M110	
22	Strain Relief	1	M111	
23	Terminal & Insulator Set	20	M00233	
24	Ground Screw/Marking Tab Set	1	M00334	
25	Terminal Block	1	MB80/2	
26	Terminal Block Mounting Screw	1	H00203	
27	Relay	1	MCRS75	
28	Relay Socket	1	MCRS76	
29	Relay Mounting Plate	1	M149	
30	Hub Assembly Microswitch	1	M026	
31	Chute Drive Microswitch	1	M139	
32	Microswitch Mounting Screw	2	H00204	

WIRING DIAGRAM - 115V, 50/60/Hz, 1 PH

