

Parts Catalog



SP62P

MIXERS

MODELS: SP62P & SPC62P

2-12-15

IMPORTANT!

TO EXPEDITE SHIPMENT OF PARTS, ALWAYS SPECIFY MODEL, REV,
PART NUMBER, AND SERIAL NUMBER OF MIXER.

GLOBE FOOD EQUIPMENT COMPANY

2215 East River Road
Dayton, Ohio 45439

Parts Department

Toll Free 1-800-745-6238 · Fax (937) 290-0585

E-Mail: info@globefoodequip.com

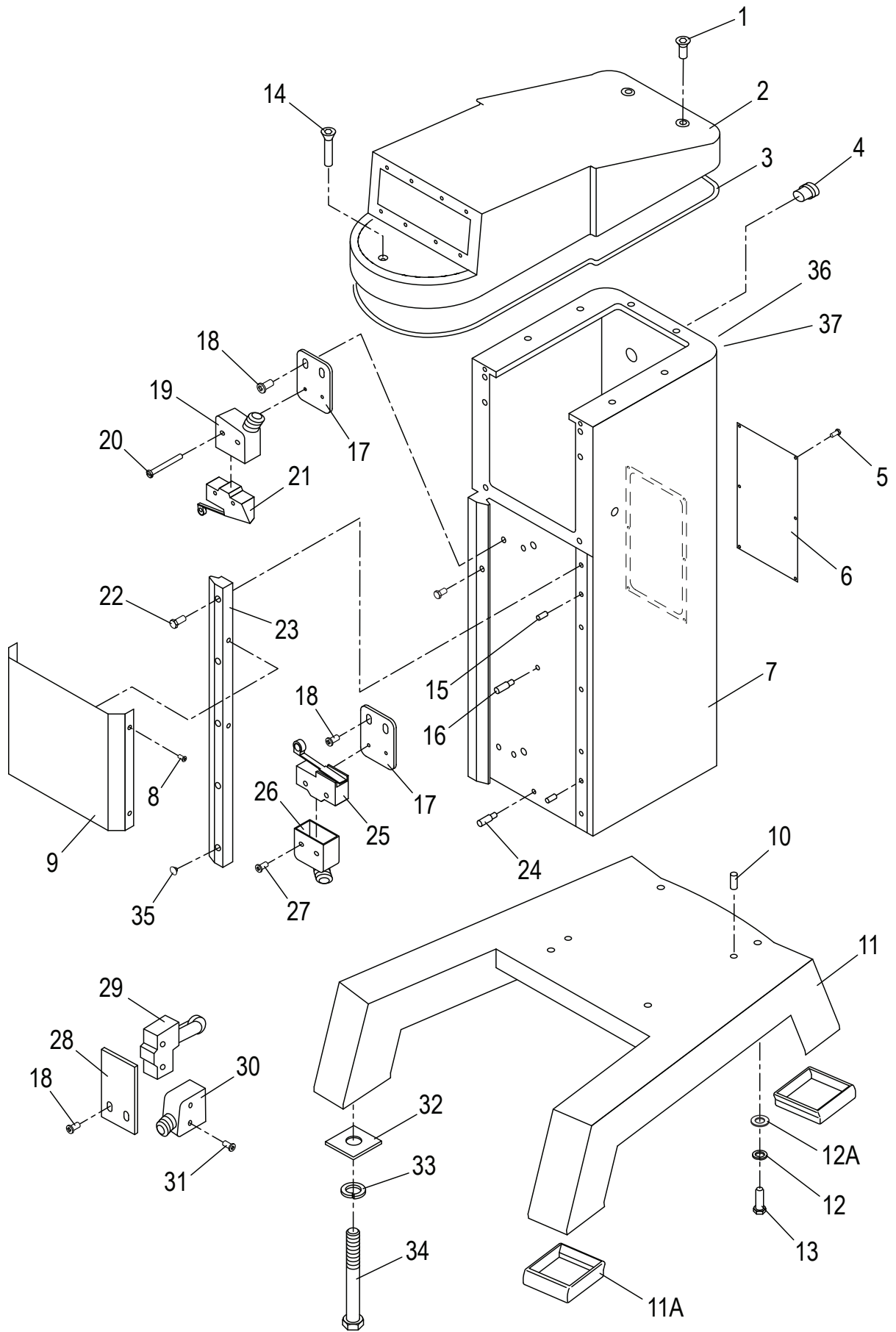
Website: www.globefoodequip.com

Not for resale

TABLE OF CONTENTS

	Page
Mixer Base Components	1 - 2
Head and Hub Assembly	3 - 4
Power Lift Cradle Assembly	5 - 6
Gearbox	7 - 8
Gear Shift Assembly	9
Power Lift Control Assembly	10
Planetary Motor Components	11
Motor Brake Components - Spc Models Only	12
Planetary Components	13 - 14
Electrical Schematic, 220V Mixer - 1 Phase	15
Wiring Diagram, 208/220V - 1 Phase	16
Wiring Diagram, 230/400V Power Lift Mixer - 3 Phase	17
Electrical Schematic 230/400V Power Lift Mixer - 3 Phase	18
Wiring Diagram, 230/400V Power Lift Mixer - Spc Model - 3 Phase	19
Wiring Diagram, Power Lift - Digital Control Panel, 1 Phase	20
Wiring Diagram, Power Lift - Digital Control Panel, 3 Phase	21

SP62P MIXER BASE COMPONENTS



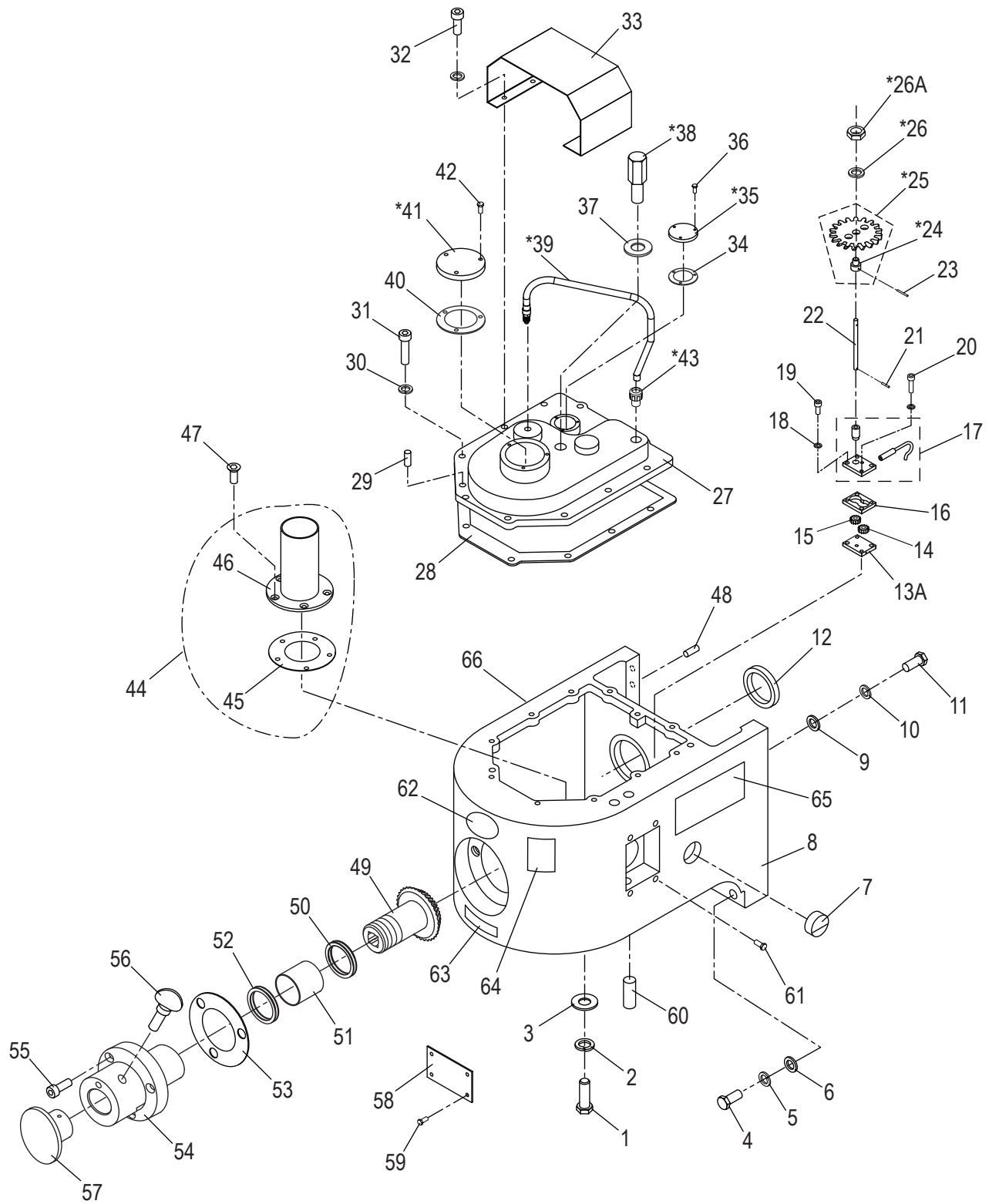
SP62P MIXER BASE PARTS LIST

Item	Description	Part Number	Qty	Hardware
1	Screw, Flat Head	X80A01	2	M8 x 85mm
2	Cover, Transmission Case	X62A02	1	
		*X62A02-DG		
3	Gasket	X62A03	1	
4	Strain Relief	X80A04	1	
5	Screw, Truss Head	X80A05	6	M5x12mm
6	Plate, Rear Column	X80A06	1	
7	Mixer Column	-	1	
8	Thumbscrew	X80A08	4	M5x12mm
9	Cover, Column Front	X80A09	1	
10	Dowel Pin	X80A10	2	Ø10x34mm
11	Mixer Base	X62A11	1	
		*X62A11-DG		
11A	Rubber Feet Set (Front/Rear)	X80A11-1	1	
12	Washer, Split Lock	X80A12	4	M14
12A	Washer, Flat	-	4	M14
13	Screw, Hex Head	X80A13	4	M14x50mm
14	Screw, Flat Head	X80A14	1	M8x85mm
15	Dowel Pin	X80A15	2	Ø10x33mm
16	Dowel Pin, Threaded	X80A16	1	
17	Plate, Microswitch Mounting	X80A17	2	
18	Screw, Truss Head	X80A18	6	M5x12mm
19	Housing, Microswitch	X80A19	1	
20	Screw, Hex Head & Flat Washer	X80A20	2	M4x45mm
21	Microswitch, Raise/Lower	X80A21	1	
	Microswitch, R/L - Spc Models	X80A21-1		
22	Screw, Hex Head & Flat Washer	X80A22	5	M12x25mm
23	Slide, Front Bowl (Cast Iron)	X62A23	1	
	Slide, Left, Front Bowl (Metal Sheet)	**X62A23-1	1	
24	Dowel Pin, Threaded	X80A24	1	
25	Microswitch	X62A35	1	
	Microswitch, Spc Models	X62A35-1		
26	Housing, Microswitch	X80A36	1	
27	Screw, Pan Head & Flat Washer	X80A37	2	M4x25mm
28	Plate, Microswitch Mounting	X80A40	1	
29	Microswitch	X62A38	1	
	Microswitch, Spc Models	X62A38-1		
30	Housing, Microswitch	X80A41	1	
31	Screw, Pan Head & Flat Washer	-	2	M5x25mm
32	Washer, Shipping (Square)	X80A31	4	M12
33	Washer, Split Lock	-	4	M12
34	Bolt, Shipping - Grade 10.9	X80A32	4	M12x100mm
35	Plug, Plastic	-	5	-
36	Label, Hazardous Voltage	X91014	1	
37	Label, Caution - 3 Phase	X91011	1	

* Use after S/N 7710068 (1 Phase) or S/N 7750061 (3 Phase).

** Use after S/N 7810150.

SP62P HEAD AND HUB ASSEMBLY COMPONENTS

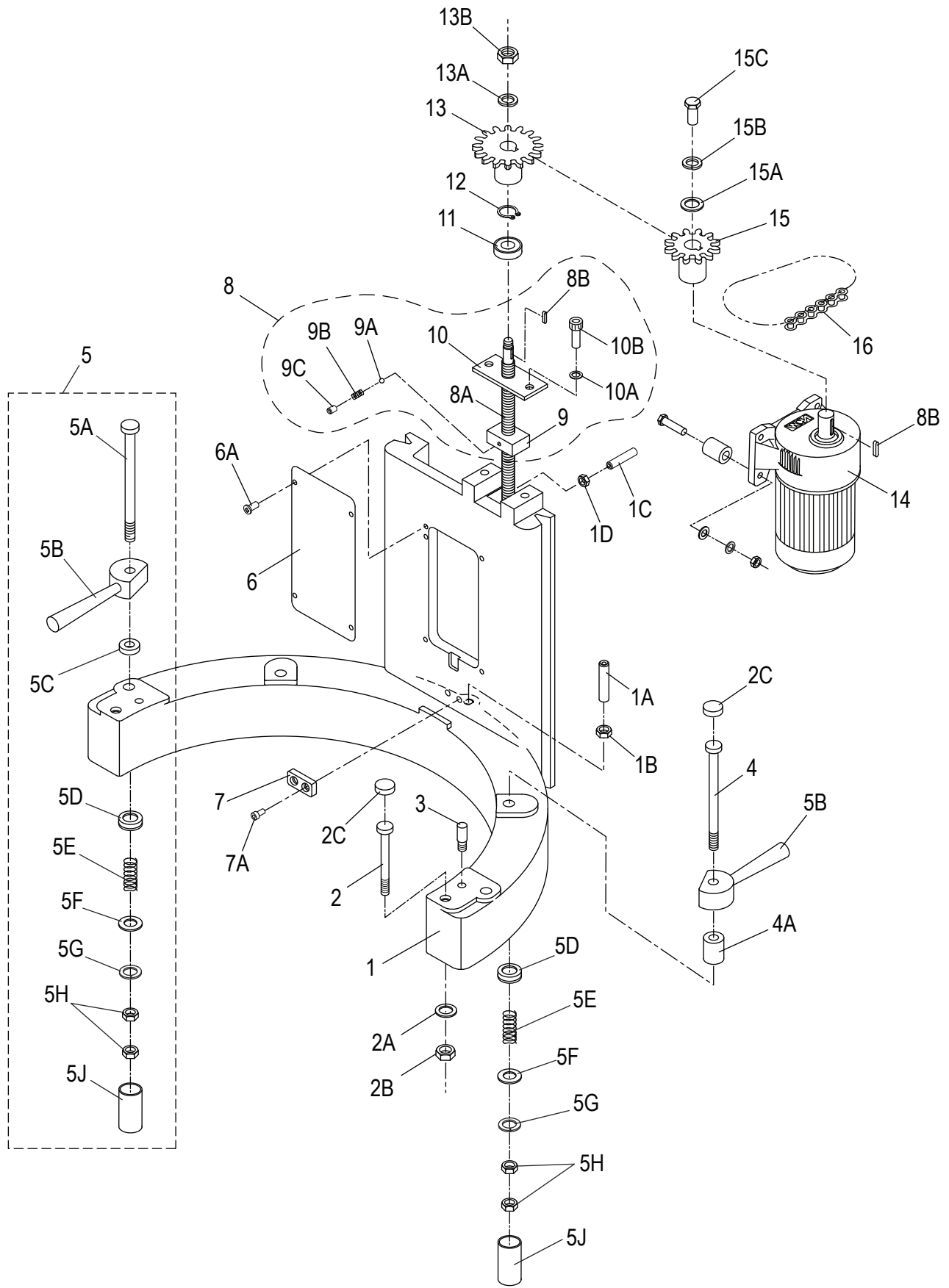


SP62P HEAD AND HUB ASSEMBLY PARTS LIST

Item	Description	Part Number	Qty	Hardware
1	Screw, Hex Head	X80B01	1	M10x15mm
2	Washer, Split Lock	X80B02	1	M10
3	Washer, Flat	X80B03	1	M10
4	Screw, Hex Head	X80B04	2	M12x40mm
5	Washer, Split Lock	X80B05	2	M12
6	Washer, Flat	X80B06	2	M12
7	Gauge, Oil Level	X80B07	1	
8	Transmission Case, Fixed Bowl Guard	X80B08	1	
	Transmission Case, Removable Bowl Guard	X80B08-1		
9	Washer, Flat	X80B09	6	M12
10	Washer, Split Lock	X80B10	6	M12
11	Screw, Hex Head	X80B11	6	M12x60mm
12	Oil Seal	X80B12	1	TC50x80x10
13	Oil Pump Assembly (Items 13A-26)	X80B13-27	1	
13A	Plate, Oil Pump - Bottom	X80B13	1	
14	Gear, Oil Pump, Right (15T)	X80B14	1	
15	Gear, Oil Pump, Left (15T)	X80B15	1	
16	Gear Set Pump	X80B16	1	
17	Housing & Tube Assy	X80B17-19	1	
	Pump Outlet Bronze Pipe			
	Pump Shaft Bushing			
18	Washer, Split Lock	X80B26	4	M5
19	Screw, Socket Head	X80B27	2	M5x15mm
20	Screw, Socket Head	-	2	M5x25mm
21	Roll Pin	X80B22	1	Ø2x10mm
22	Shaft, Oil Pump	X80B21	1	
23	Roll Pin	X80B20	1	Ø2x18mm
*24	Conveying Gear Bushing (Ref)	-	1	-
*25	Conveying Gear Assembly (29T)	X80B23	1	
26	Washer, Split Lock	-		M12
*26A	Jam Nut	-	1	M12
27	Cover, Transmission Case	X80B25	1	
28	Gasket, Transmission Cover	X80B40	1	
29	Dowel Pin, Threaded	X80B39	2	
30	Washer, Split Lock	X30198	11	M8
31	Screw, Hex Head	X30197	9	M8x24mm
32	Screw, Socket Head	X30099	2	M8x28mm
33	Top Cover	X80B33	1	
34	Gasket, Transmission Shaft Bearing Retainer	X80B28	1	
*35	Bearing Retainer, Transmission Shaft	X80B29	1	
36	Screw, Hex Head	X80B30	3	M5x15mm
37	Washer, Flat	X80B31	1	M20
*38	Oil Fill Plug (Screw, Hex Head)	X80B32	1	M20x40mm
*39	Hose Assembly	X00703	1	
	Hose Fitting			
	Hose Clamp			
40	Gasket, Drive Shaft Bearing Retainer	X80B36	1	
*41	Bearing Retainer, Drive Shaft	X80B35	1	
42	Screw, Truss Head	X80B34	3	M4x14mm
*43	Oil Fill Fitting	X00704	1	
44	Oil Tube & Gasket Assembly	X80B42-43	1	
45	Gasket, Lube Overflow Cylinder	X80B43	1	
46	Lube Overflow Cylinder	X80B42	1	
47	Screw, Flat Head	X80B41	5	M6x15mm
48	Dowel Pin	X80B56	2	Ø10x20mm
49	Level Drive Gear (16T)	X80B44	1	
50	Thrust Washer	X30018-1	A/R	
51	Sleeve, Square Drive	X80B46	2	
52	Oil Seal	X10089	1	
53	Gasket, Attachment Hub	X80B48	1	
54	Hub, Attachment	X80B50	1	
		**X80B50-DG		
55	Screw, Socket Head	X80B52	3	M6X25mm
56	Thumb Screw	X10005	1	1/2-13x3/4"
57	Hole Plug, Attachment	X80B51	1	
58	Cover Plate, Transmission	X80B53	1	
59	Screw, Hex Head	X80B54	4	M5x10mm
60	Dowel Pin	X80B55	1	
61	Screw, Socket Head	X80E09	4	M8x25mm
62	Label, Globe Logo	871-3	1	
63	Label, Arrow	X91012	1	
64	Label, Stop To Change Gears	X91010	1	
65	Label, Warning	X91015	1	
66	Label, Warning, French (Canada Only)	X91007-F	1	

*Part configuration may vary. **Use after S/N 7710068 (1 Phase) or S/N 7750061 (3 Phase).

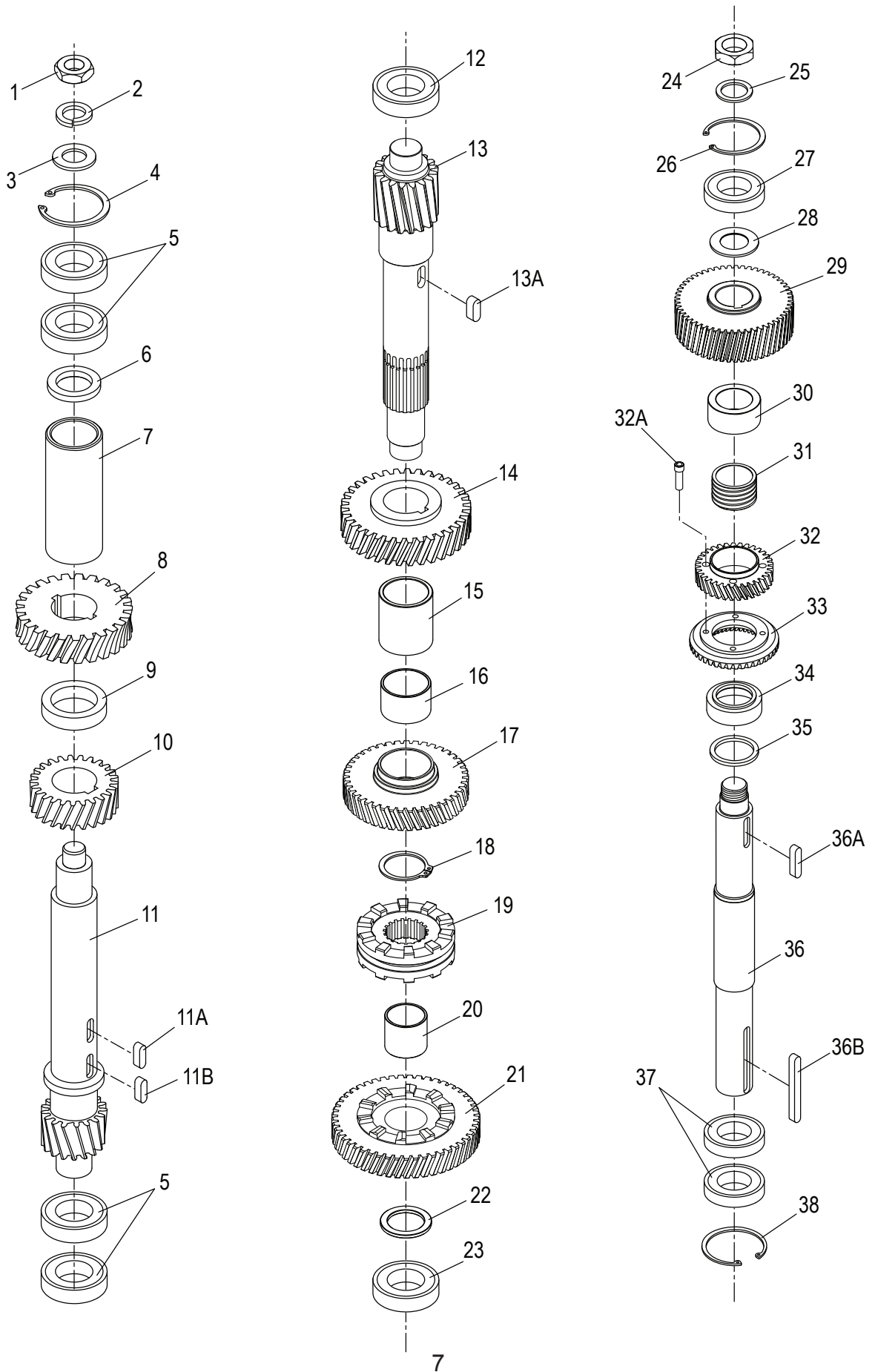
SP62P POWER LIFT CRADLE ASSEMBLY COMPONENTS



SP62P POWER LIFT CRADLE ASSEMBLY PARTS LIST

Item	Description	Part Number	Qty	Hardware
1	Bowl Cradle	X62C12	1	
1A	Set Screw, Socket Head - Cup Point	-	1	M12x80mm
1B	Nut, Hex	-	1	M12
1C	Set Screw, Socket Head - Cup Point	-	1	M6x40mm
1D	Nut, Hex	-	1	M6
2	Bowl Locating Screw	X80C13	2	
2A	Washer, Split Lock	X80C11	2	M12
2B	Nut, Acorn	X80C10	2	M12
2C	Screw Cover	-	4	
3	Dowel Pin, Threaded	X80C14	2	
4	Screw, Bowl Clamp - Rear	X80C09	2	
4A	Bushing, Bronze - Rear Clamp	X80C07	2	
5	Bowl Clamp Assembly	X80C05	2	
5A	Screw, Bowl Clamp - Front	-	2	
5B	Bowl Clamp	X80C05-1	2	
5C	Bushing, Bronze - Front	-	2	
5D	Hardware Cap	-	4	
5E	Spring	-	4	
5F	Washer, Flat	-	4	M12
5G	Washer, Split Lock	-	4	M12
5H	Nut, Jam	-	4	M12
5J	Hardware Cap	-	4	-
6	Front Cover, Bowl Cradle	X80C17	1	
6A	Screw, Hex Head	X80C18	4	M5x10mm
7	Locking Bracket	X80C16	1	
7A	Screw, Socket Head & Lock Washer	X80C15	2	M8x35mm
8	Bowl Raise Screw Assembly	X80C19-24	1	
8A	Bowl Raise Screw	-	1	
8B	Shaft Key	-	2	6x6x25mm
9	Nut Block	-	1	
9A	Roller Ball	-	1	Ø5 SS
9B	Spring	-	1	
9C	Set Screw, Socket Head - Cup Point	-	1	M6x5mm
10	Nut Mounting Plate	-	1	
10A	Washer, Split Lock	-	1	M10
10B	Screw, Socket Head	-	1	M10x20mm
11	Ball Bearing	X80C25	1	
12	Retaining Ring	X80C26	1	R40
13	Chain Gear (16T)	X80H48	1	
13A	Washer, Split Lock	X80H49	1	M16
13B	Nut, Hex	X80C30	1	M16
14	Motor, 1/8Hp 220V 50/60Hz 1Ph Prior To S/N 7750055	X00705	1	
	Motor, 1/8Hp 220V 50/60Hz 3Ph Prior To S/N 7750043	X80H56		
	Motor, Metal Plate, 220/380V/60Hz/1Ph Starting S/N 7710055	XA-8038-1		
	Motor, Metal Plate, 220/380V/60Hz/3Ph Starting S/N 7750043	XA-8038-3		
15	Chain Gear (11T)	X80H53	1	
15A	Washer, Flat	X80H52	1	M6
15B	Washer, Split Lock	X80H51	1	M6
15C	Screw, Hex Head	X80H50	1	M6x16mm
16	Drive Chain	X80H54	1	

SP62P GEARBOX COMPONENTS



SP62P GEARBOX PARTS LIST

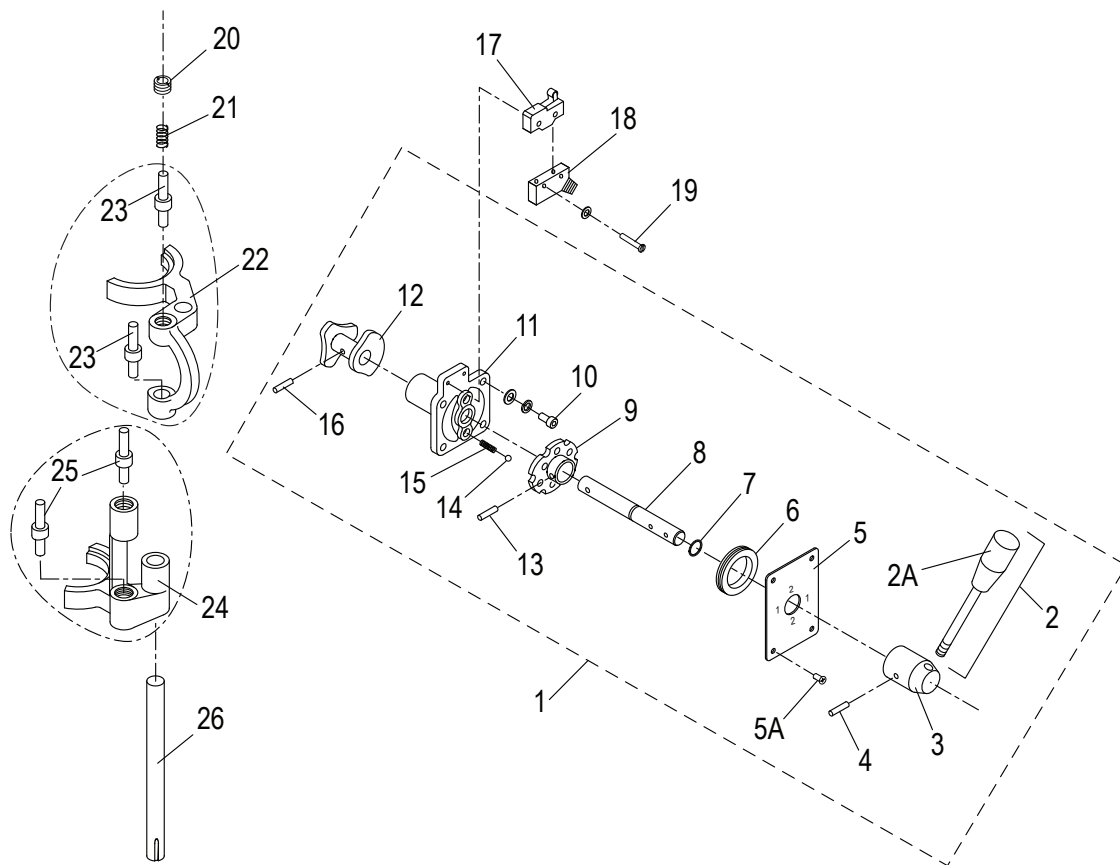
Item	Description	Part Number	Qty	Hardware
1	Nut, Hex Jam	X80D34	1	M16
2	Washer, Split Lock	X80D35	1	M16
3	Washer, Flat	-	1	M16
4	Retaining Ring	X80D36	1	RTW-47
5	Ball Bearing	X80D37	4	
6	Bronze Bushing, Upper	X80D38	1	
7	Bronze Bushing, Lower	X62D38-1	1	
8	Worm Gear (29T) (50Hz Mixer)	*X80D39G03	1	
	Worm Gear (29T) (60Hz Mixer)	*X80D39G03-1		
	Worm Gear (28T) (60Hz Mixer)	**X00678		
9	Bronze Bushing	X80D40	1	
10	Transmission Gear (25T)	X80D41	1	
11	Transmission Shaft (17T)	X80D42	1	
11A	Shaft Key	X80D43	1	6x6x18mm
11B	Shaft Key	X80D44	1	8x8x20mm
12	Ball Bearing	X80D17	1	
13	Shaft, Master Gear (17T)	X62D67	1	
	Shaft, Master Gear (20T)	***X80D67-1		
13A	Shaft Key	X62D60	1	8X8X20mm
14	Gear, Master Shaft(35T)	X62D61	1	
15	Bronze Bushing	X62D68	1	
16	Bronze Bushing (Rear)	X80D27	1	
17	Gear, Master Shaft (41T)	X80D26	1	
18	Retaining Ring	X80D22	1	STW-35
19	Clutch Sleeve	X80D21	1	
20	Bronze Bushing	X80D30	1	
21	Gear, Master Shaft (49T)	X80D31	1	
22	Spacer	X80D32	1	29x40x3mm
23	Ball Bearing	X80D17	1	
24	Nut, Hex Jam	X80D16	1	M32
25	Washer, Flat	X80D15	1	M32
26	Retaining Ring	X80D14	1	RTW-72
27	Ball Bearing	X30125	1	
28	Bronze Bushing	X62D58	1	
29	Gear, Drive Shaft (53T)	X62D69	1	
	Gear, Drive Shaft (52T)	***X80D69-1		
30	Spacer	X62D54	1	
31	Oil Bushing	X62D53	1	
32	Gear, Drive Shaft (33T)	X62D52	1	
32A	Screw, Socket Head - Mod	X62D56	4	M8x30mm
33	Gear, Drive Shaft (41T)	X62D51	1	
34	Oil Bushing Sleeve	X62D50	1	
35	Anti-Oil Bushing	X62D02-2	1	
36	Drive Shaft	X62D48	1	
36A	Shaft Key	X62D49	1	10x10x45mm
36B	Shaft Key	X80D01	1	10x10x100mm
37	Ball Bearing	X80D46	2	
38	Retaining Ring	X80D47	1	R-75

* Included with Worm Drive (Page 11). Worm Gear and Worm Drive must be replaced at same time.

** Included with Worm Drive (Page 11). Worm Gear and Worm Drive must be replaced at same time.
Use after S/N 7710999 (1 Phase) or 7750987 (3 Phase).

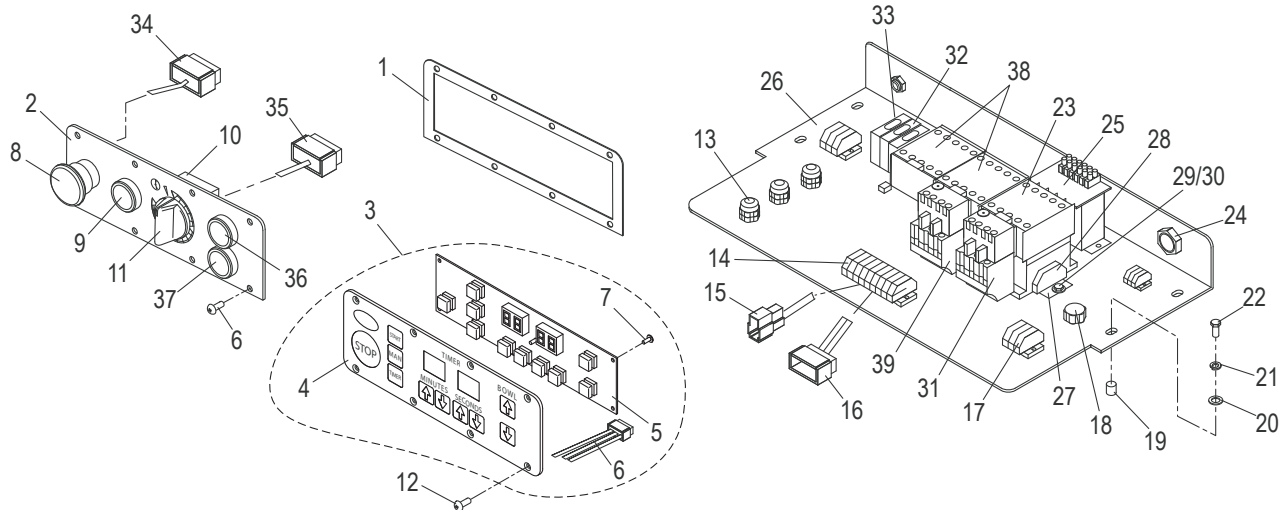
*** Use after S/N 7710999 (1 Phase) or 7750987 (3 Phase).

SP62P GEAR SHIFT ASSEMBLY COMPONENTS



Item	Description	Part Number	Qty	Hardware
1	Gear Shift Assembly	X80E01-15	1	
2	Gear Shift Arm Assy (With Knob)	X80E01	1	
2A	Knob, Gear Shift	X80E01-1	1	
3	Gear Shift Arm Hub	X80E02	1	
4	Roll Pin	X80E03	1	Ø6x38mm
5	1-2 Speed Indication Plate	X62E25	1	
5A	Screw, Round Head - SS	-	4	M5x10mm
6	Oil Seal	X80E05	1	
7	O-Ring	X80E06	1	P11
8	Shifter Guide Rod	X80E07	1	
9	Hub & Cam Assy	X80E08	1	
10	Screw, Socket Head	X80E09	4	M8x25mm
10A	Washer, Split Lock	X08102	4	M8
10B	Washer, Flat	X08076	4	M8
11	Shaft Cover	X80E10	1	
12	Gear Shift Cam Assy	X80E11	1	
13	Roll Pin	X80E12	1	Ø5x26mm
14	Steel Ball	X80E13	2	Ø9mm
15	Spring	X80E14	2	
16	Roll Pin	X80E15	1	Ø6x20mm
17	Microswitch	X80E16	1	
18	Microswitch Cover	X80E17	1	
19	Screw, Pan Head & Flat Washer	X80E18	2	M4x24mm
20	Nut, Speed Shifter	X80E19	4	M20
21	Spring	X80E20	4	
22	Speed Shifter Yoke (Top)	X80E22	1	
23	Touch Shaft	X80E21	2	
24	Speed Shifter Yoke (Rear)	X80E23	1	
25	Touch Shaft	X80E21	2	
26	Shifter Guide Rod	X80E24	1	

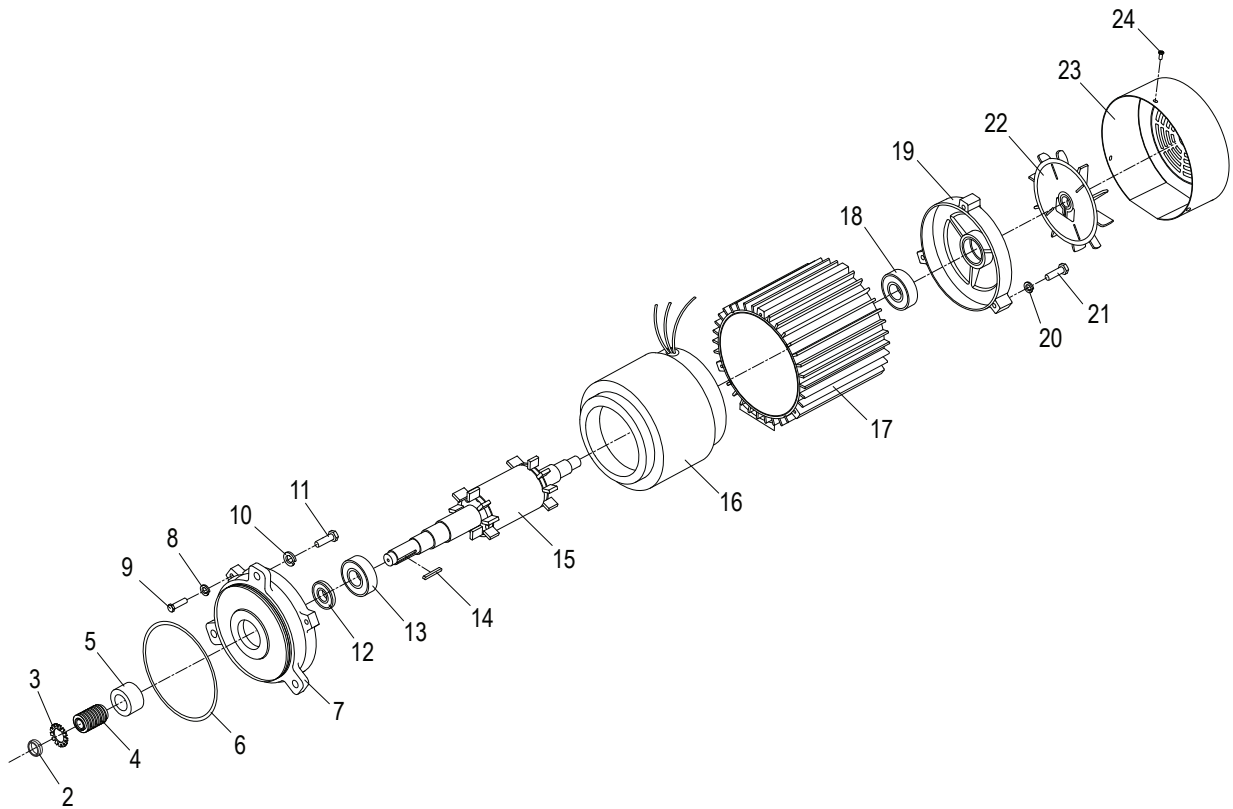
SP62P POWER LIFT CONTROL ASSEMBLY PARTS LIST



Item	Description	Part Number	Qty	Hardware
1	Gasket	X80J01	1	
2	Control Panel	X80J02	1	
3	Control Panel, Digital - Upgrade Kit	X80J02-1		
4	Control Panel, Digital	**XB754-1		
5	Circuit Board	**X00679	1	
6	Wiring	-	1	
7	Screw, Circuit Board Mounting	-	5	M3 x 10mm
8	Stop Button	X80J03	1	
9	Start Button	X80J04	1	
10	Timer Assembly With Knob	X10137	1	
11	Timer Knob	X101037-1		
12	Screw, Truss Head	X30204	8	M4x10mm
13	Support Tube	X80J07	4	
14	Connecting Block	X80J08	1	
15	Connector	X80J09	1	
16	Connector	X80J10	1	
17	Terminal Block	X80J11	1	
18	Support Tube	X80J12	1	
19	Socket	X80J13	4	
20	Washer, Flat	X80J14	4	M6
21	Washer, Split Lock	X80J15	4	M6
22	Screw, Hex Head	X80J16	4	M6x20mm
23	Contactora, 24V	X80J17	1	
24	Support Tube	X80J18	1	
25	Transformer, 24V (220V Mixer)	X80J19	1	
	Transformer, 24V (380V Mixer)	*9070T50D19		
26	Electronics Mtg Plate	X80J20	1	
27	Contactora Mounting Plate	-	1	
28	Contactora Locking Caps	-	2	
29	Screw, Round Head	-	2	M3x16mm
30	Washer, Flat	-	2	M3
31	Overload Relay	X80J21	1	
32	Fuse, 250V 500Ma	X80J22A	2	
	Fuse, 250V 1A	X80J22B	1	
33	Fuse Fixture	X80J23	3	
34	Connector	X80J24	1	
35	Connector	X80J25	1	
36	Bowl Raise Button	X80J26	1	
37	Bowl Lower Button	X80J26	1	
38	Bowl Raise/Lower Contactors, 24V	X00680	1	
39	Bowl Lift Motor Overload Relay	X80J30	1	
40	Capacitor, Start 500Mf (Not Shown)	X30070-1P	1	
	Capacitor, Run 70Mf (Not Shown)	X60070-2	1	

*380V Square D transformer. **Begin with S/N 7710061.

SP62P PLANETARY MOTOR COMPONENTS

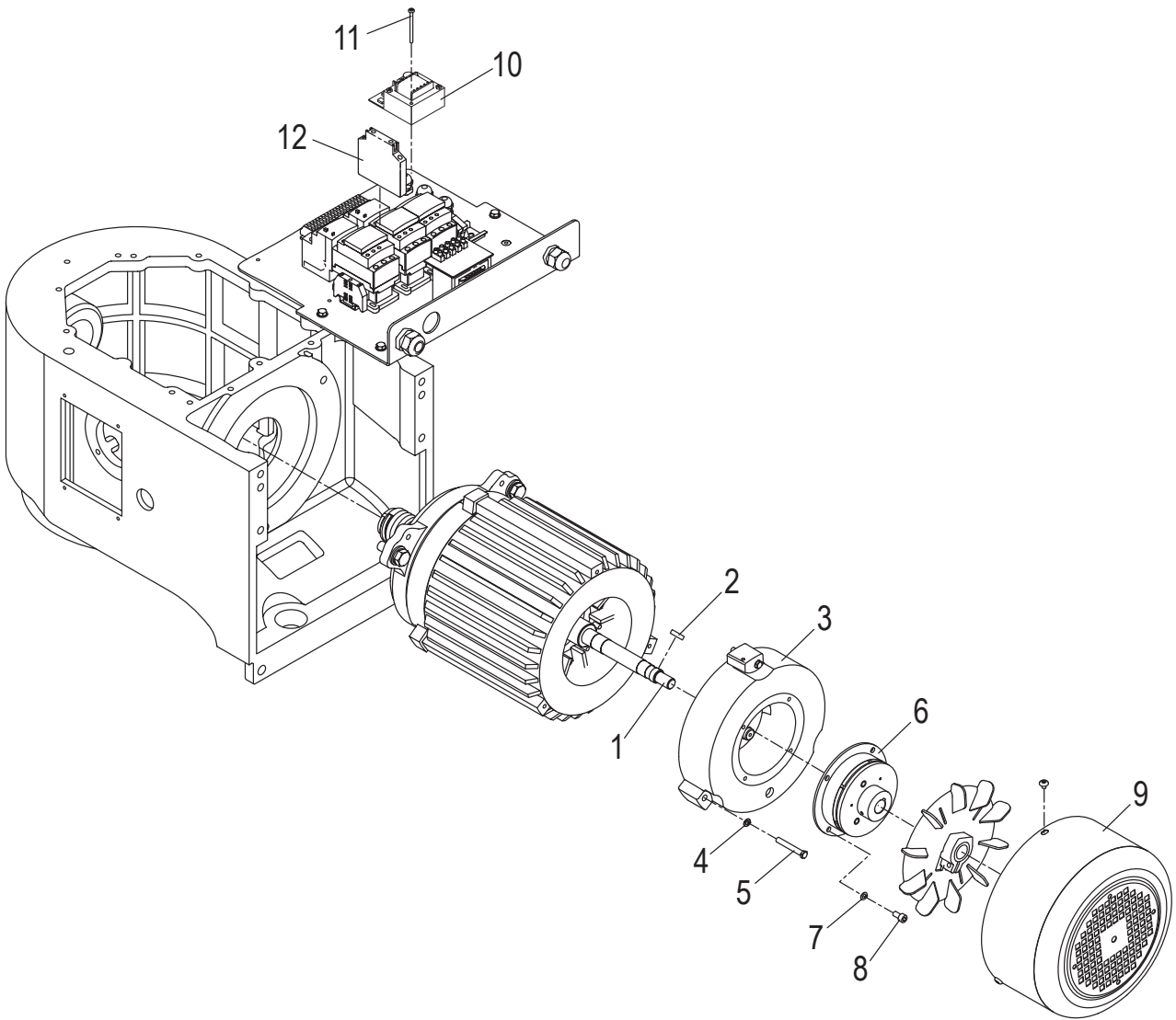


Item	Description	Part Number	Qty	Hardware
1	Motor Assembly, 3HP, 1PH, 220V, 60Hz	X00560	1	
	Motor Assembly, W/Brake, 3HP, 1PH, 220V, 60Hz	X00561		
	Motor Assembly, 3HP 3PH 220V	X62G24		
	Motor Assembly W/Brake, 3HP 3PH 220V	X62G24C		
	Motor Assembly, 3HP 3PH 380V	X6261-23		
	Motor Assembly W/Brake, 3HP 3PH 380V	X6261-23C		
2	Nut, Bearing	X80G01	1	M25
3	Washer, External Tooth	X80G02	1	M25
4	Worm Drive, 50Hz	*X80D39G03	1	
	Worm Drive, 60Hz	*X80D39G03-1		
	Worm Drive (3T), 60Hz	**X00678		
5	Bronze Bushing (Spacer)	X80G04	1	
6	O-Ring	X80G05	1	P73x3
7	Motor Front Cover	-	1	
8	Washer, Split Lock	X80G07	3	M6
9	Screw, Hex Head	X80G06	3	M6x30mm
10	Washer, Split Lock	-	3	M12
11	Screw, Hex Head	-	3	M12x40mm
12	Washer, Flat (Special)	-	1	M25
13	Ball Bearing	X40125	1	
14	Shaft Key		1	6x6x45mm
15	Motor Shaft	-	1	-
16	Motor Coil, 3 Hp	-	1	-
17	Motor Body	-	1	-
18	Ball Bearing	X10012	1	
19	Rear Cover, Motor	-	1	-
20	Washer, Split Lock	X80G07	3	M6
21	Screw, Hex Head	X80G06	3	M6x20mm
22	Fan	X62G19	1	
23	Fan Cover	-	1	
24	Screw, Pan Head	-	3	M5x12mm

* Included with Worm Gear (Page 8). Worm Drive and Worm Gear must be replaced at the same time.

** Included with Worm Gear (Page 8). Worm Drive and Worm Gear must be replaced at the same time.
Use after S/N 7710999 (1 Phase) or 7750987 (3 Phase).

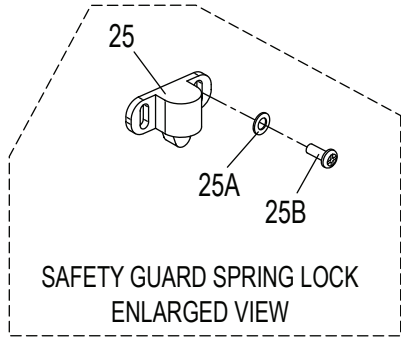
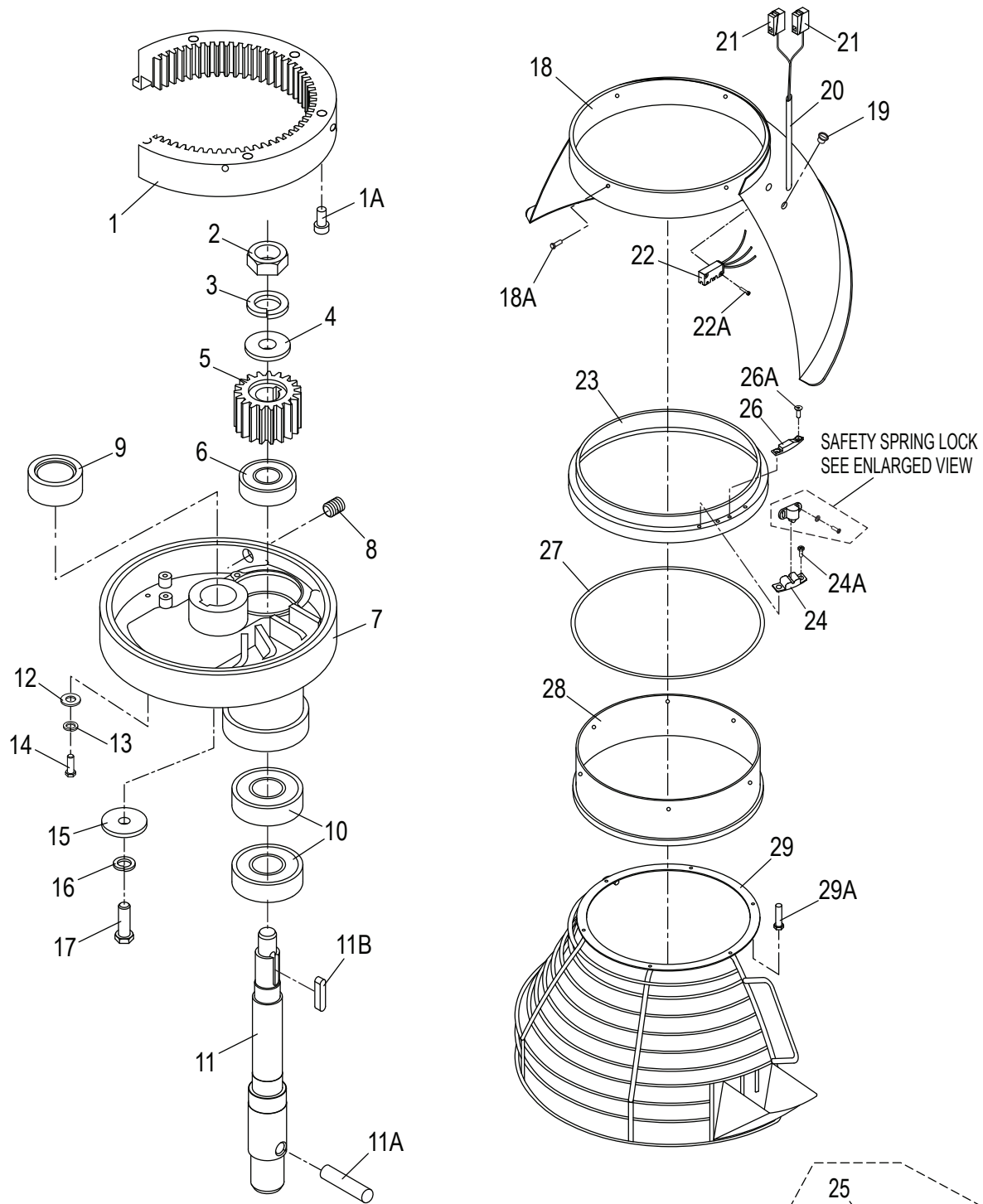
SPC62P MOTOR BRAKE COMPONENTS



ITEM	DESCRIPTION	PART NUMBER	QTY	HARDWARE
*1	Motor Shaft	-	1	
2	Shaft Key	-	1	5x5x20mm
3	Motor Cover, Extended	X80G18-1	1	
4	Washer, Split Lock	-	3	1/4"
5	Screw, Hex Head	-	3	1/4-20 x 1-1/8"
6	Motor Brake, Magnetic	X80G27	1	
7	Washer, Split Lock	-	4	M6
8	Screw, Hex Head	-	4	M6x14mm
9	Fan Cover, Extended	X80G20-1	1	
10	Electronic Board, 220V/380V	X80J11-1	1	
11	Screw, Round Head	-	2	M3x34mm
12	Auxiliary Contact Block	-	1	

*INCLUDED WITH SPC MODEL MOTOR ASSEMBLY X62G24C & X62G1-23C (PAGE 11).

SP62P PLANETARY COMPONENTS

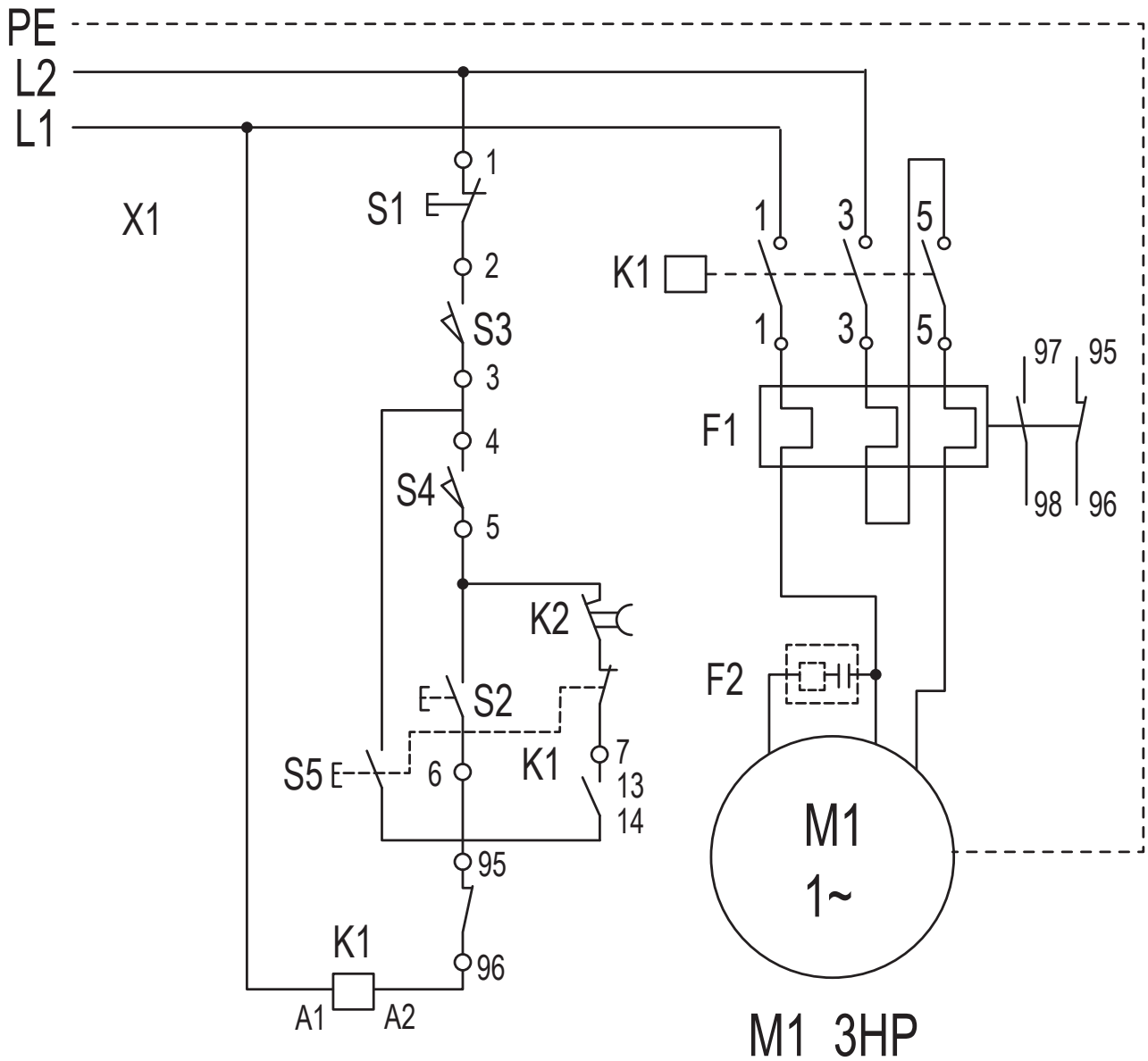


SP62P PLANETARY PARTS LIST

ITEM	DESCRIPTION	PART NUMBER	QTY	HARDWARE
1	Planetary Gear (59T)	X80F01	1	
1A	Screw, Socket Head	X80F03	6	M8x35mm
2	Nut, Jam	X80F02	1	M16
3	Washer, Split Lock	X80F04	1	M16
4	Washer, Flat	X80F05	1	M16
5	Pinion Gear (18T)	X80F06	1	
6	Ball Bearing	X80F07	1	
7	Planetary Holder	X62F09	1	
		*X62F09-DG		
8	Set Screw, Socket Head - Cup Point	X80F08	1	M12x10mm
9	Oil Bushing	X62F18	1	
10	Ball Bearing	X62F10	2	
11	Planetary Shaft	X62F13	1	
11A	Planetary Shaft Pin	X80F14	1	M14x38mm
11B	Shaft Key	X80F12	1	6x6x35mm
12	Washer, Flat	X80F20	2	M10
13	Washer, Split Lock	X80F21	2	M10
14	Screw, Hex Head - SS	X80F22	2	M10x20mm
15	Washer, Flat - D Shape	X80F23-1	1	M10
16	Washer, Split Lock	X80F24-1	1	M10
17	Screw, Hex Head	X80F25-1	1	M10x25mm
18	Rear Guard, Fixed	X62J32-33	1	
18A	Screw, Hex Head - SS	X80F16	6	M5x12mm
19	Access Plug	X80J34	2	
20	Tube Wireway	X80J31A1	1	
21	Connector	X80J31	2	
22	Microswitch, Safety Interlock	X80J35-1	1	
	Microswitch, Safety Interlock - Spc Models	X80J35-2		
22A	Screw, Socket Head	X80J36	2	M3x16mm
23	Slide Sheath	X80J43-1	1	
24	Safety Guard Spring Lock Fixture	X80J42	1	
24A	Screw, Hex Head - SS	X80J41	2	M4x12mm
25	Safety Guard Spring Lock	X80J39	1	
25A	Washer, Flat	-	2	M3
25B	Screw, Round Head - SS	X80J40	2	M3x8mm
26	Touch Mass (New Style)	X80J43-1	1	
26A	Screw, Flat Head	X10042	2	M4x10mm
27	Gasket	X80J44	1	
28	Planetary Internal Gear	X80J45	1	
29	Front Interlocking Guard Assy	X62J48	1	
29A	Screw, Hex Head - SS	X80J47	8	M5x12mm

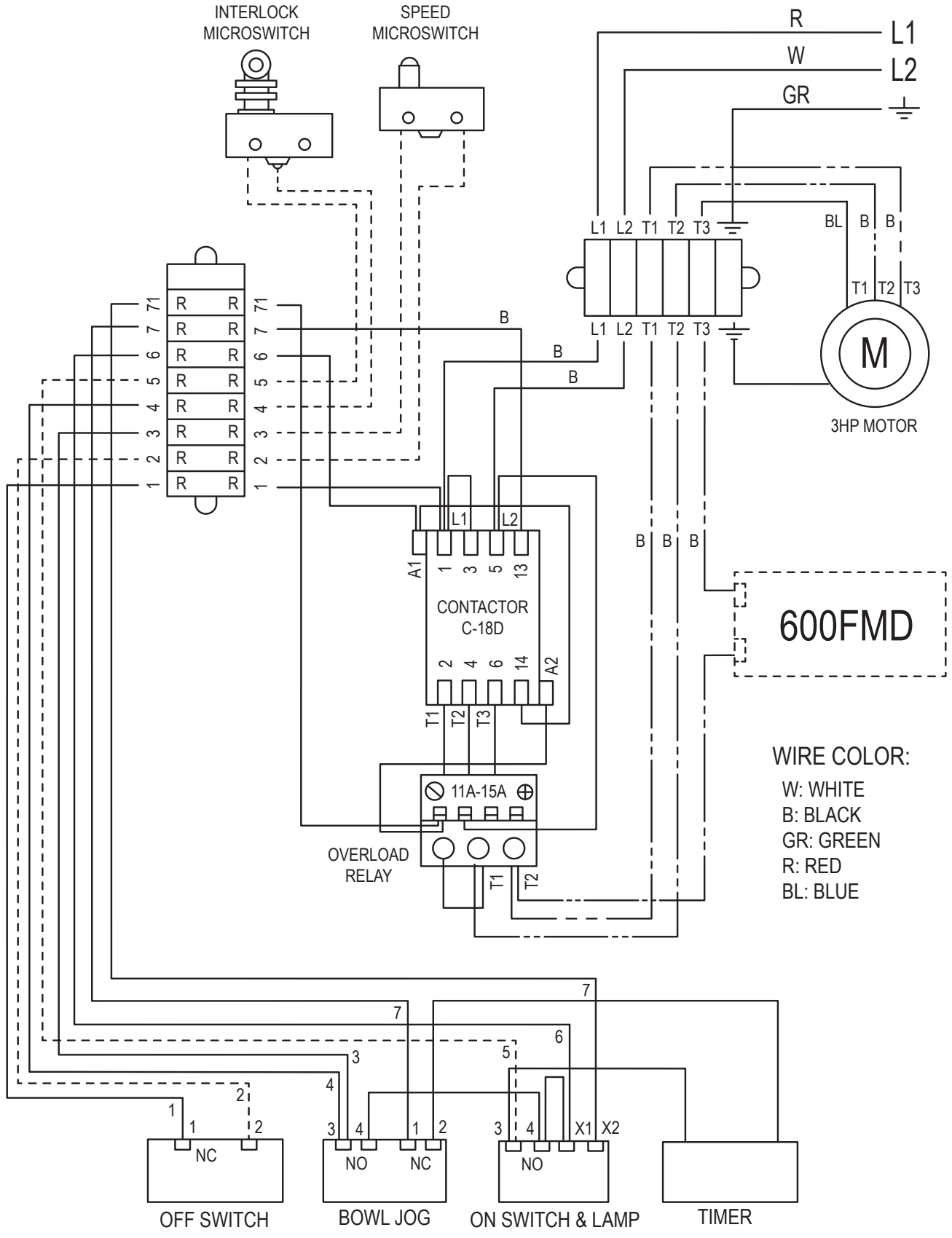
*Use after S/N 7710068 (1 Phase) or S/N 7750061 (3 Phase).

SP62P ELECTRICAL SCHEMATIC, 220V MIXER - 1 PHASE

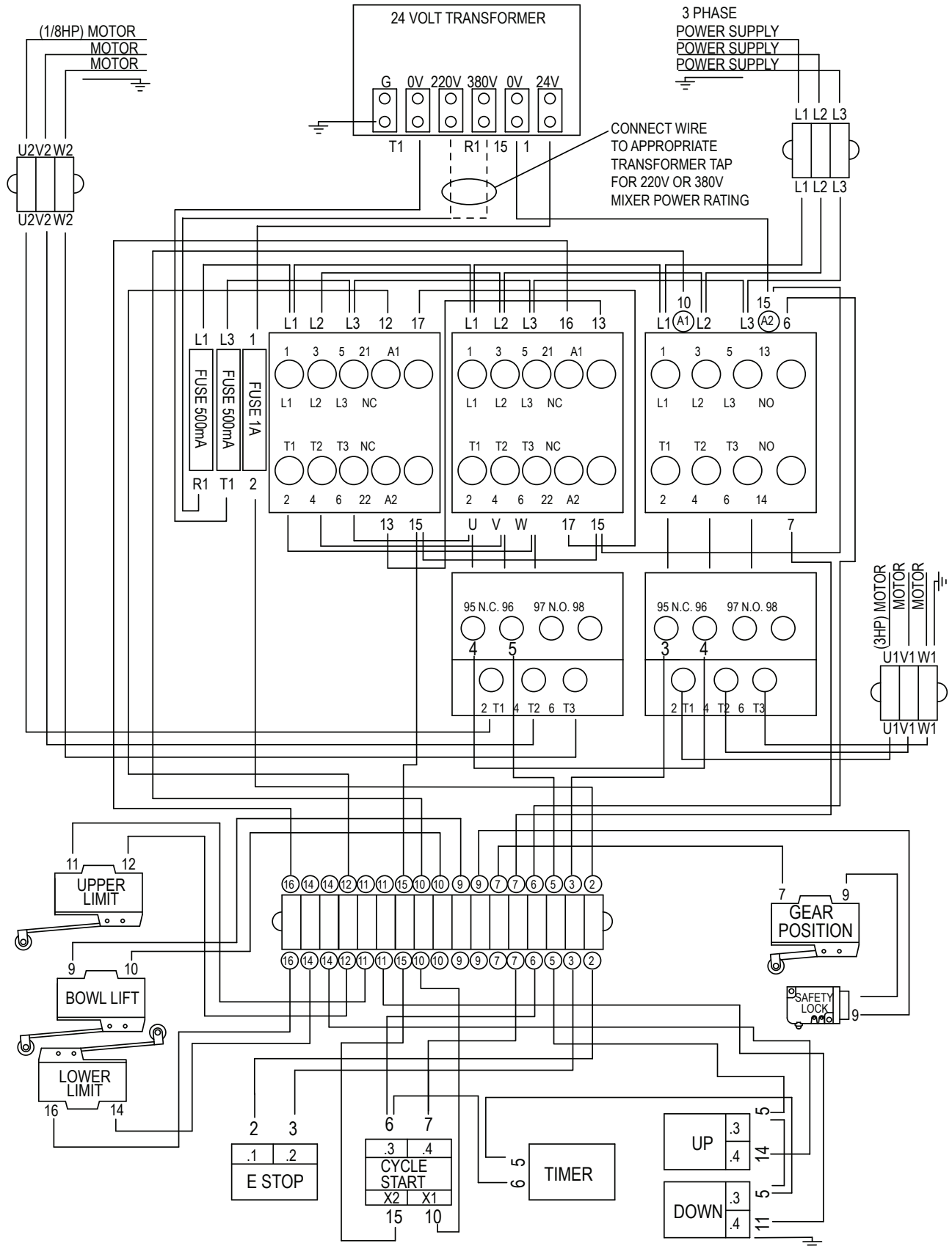


Item	Description	Qty
S1	Emergency Stop Button	1
S2	Start Button	1
S3	Microswitch, Interlock Guards	1
S4	Microswitch Speed	1
S5	Bowl Jog Button	1
K1	Contactor Coil 220V, 60Hz	1
K2	Timer	1
F1	Overload Relays	1
F2	Spark Killer (Single Phase)	1
M1	Motor: 3Hp, Single Phase, 208V	1

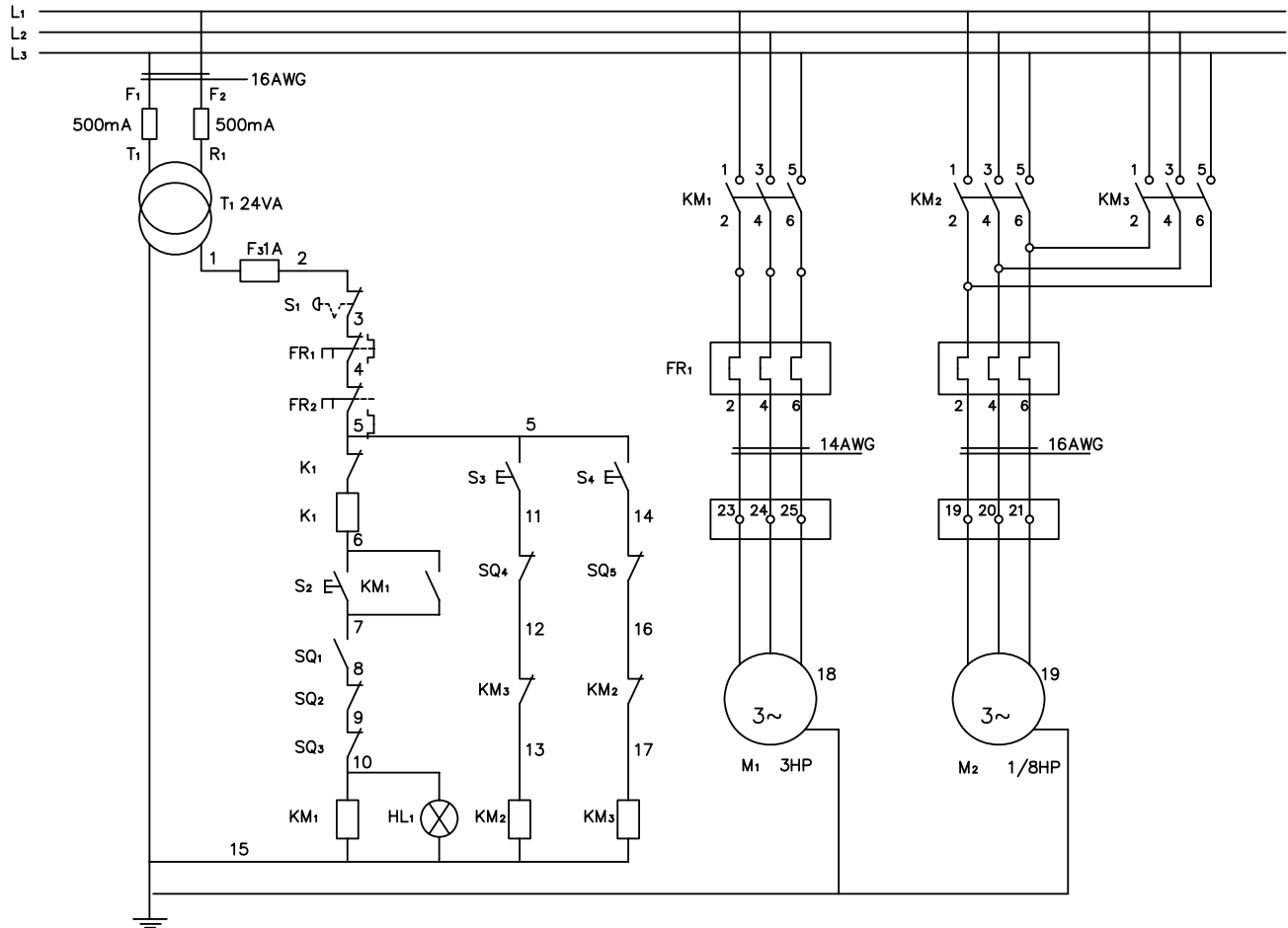
SP62P WIRING DIAGRAM, 220V MIXER - 1 PHASE



SP62P WIRING DIAGRAM, POWER LIFT MIXER - 230/400V, 3 PHASE



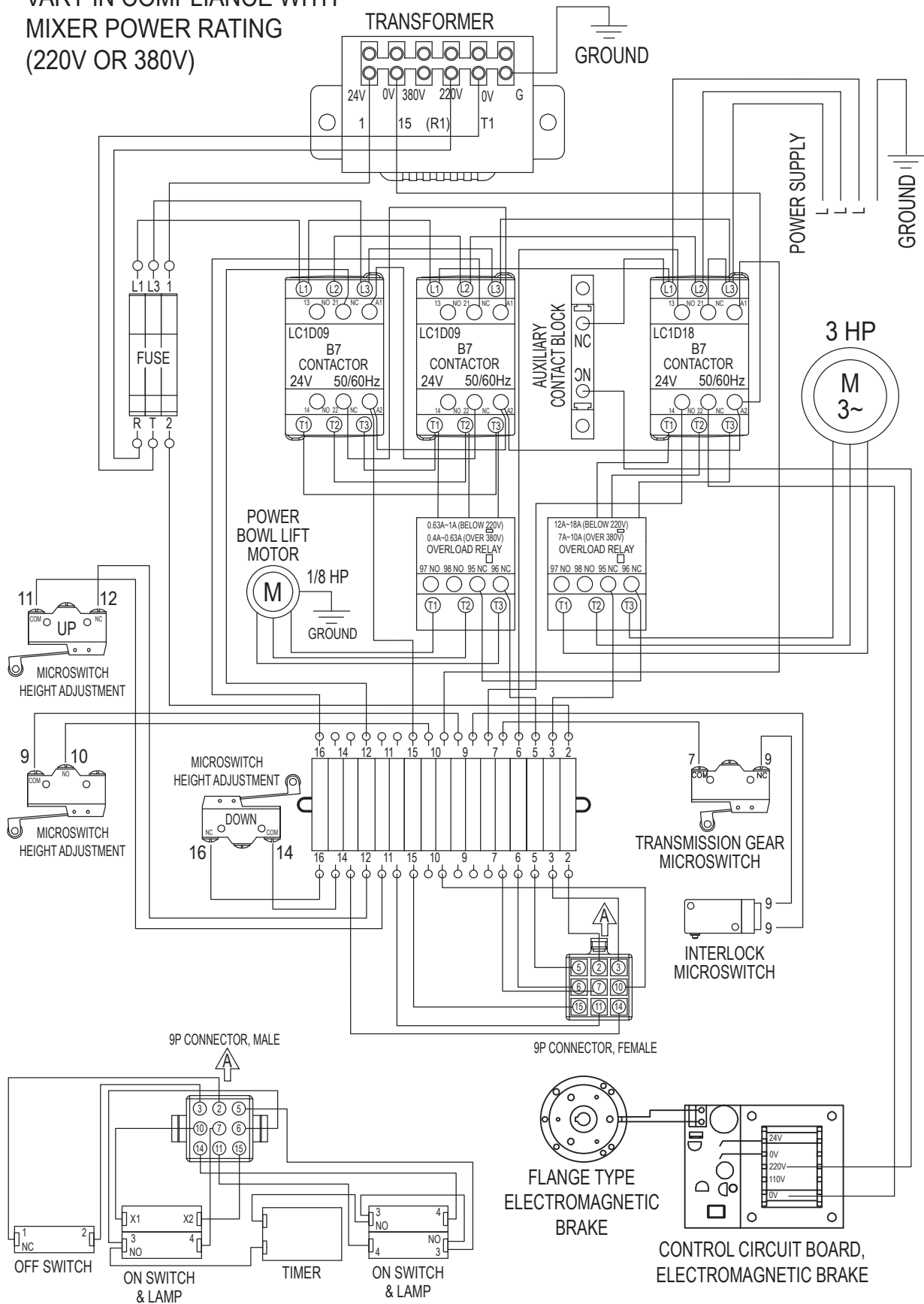
SP62P ELECTRICAL SCHEMATIC, POWER LIFT MIXER - 230/400V, 3 PH



F1	Fuse 250V/500Ma (5X20)	KM1	Contactor
F2	Fuse 250V/500Ma (5X20)	KM2	Contactor, Raise
F3	Fuse 250V/1A (5X20)	KM3	Contactor, Lower
S1	Emergency Stop Button	SQ1	Microswitch (Transmission Gear)
S2	Start Button	SQ2	Microswitch (Interlock Guard)
S3	Start Button	SQ3	Microswitch (Bowl Lift Safety)
S4	Start Button	SQ4	Microswitch (Bowl Lift Upper Limit)
FR1	Overload Relay	SQ5	Microswitch (Bowl Lift Lower Limit)
FR2	Overload Relay	M1	Mixer Motor
		M2	Power Lift Motor

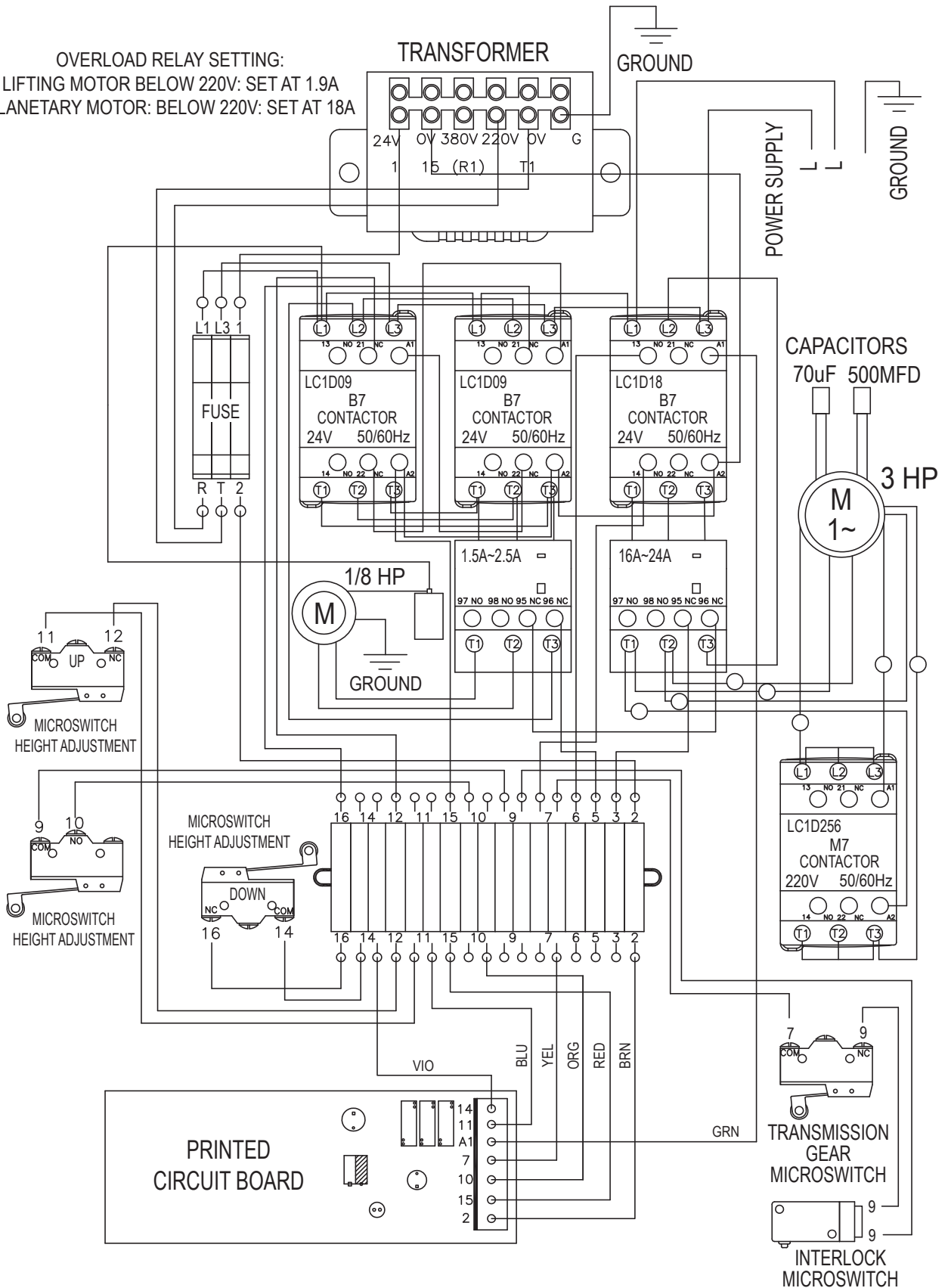
SPC62P WIRING DIAGRAM, POWER LIFT MIXER - 230/400V, 3 PHASE

TRANSFORMER WIRING MAY VARY IN COMPLIANCE WITH MIXER POWER RATING (220V OR 380V)



SP62P WIRING DIAGRAM, PWR LIFT MIXER - DIGITAL CONTROLS, 1PH

OVERLOAD RELAY SETTING:
 LIFTING MOTOR BELOW 220V: SET AT 1.9A
 PLANETARY MOTOR: BELOW 220V: SET AT 18A



SP62P WIRING DIAGRAM, PWR LIFT MIXER - DIGITAL CONTROLS, 3 PH

TRANSFORMER WIRING
MAY VARY IN COMPLIANCE
WITH MIXER POWER RATING
(220V OR 380V)

