

WARING
COMMERCIAL

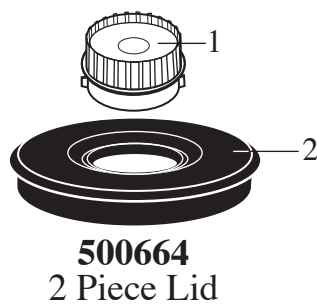
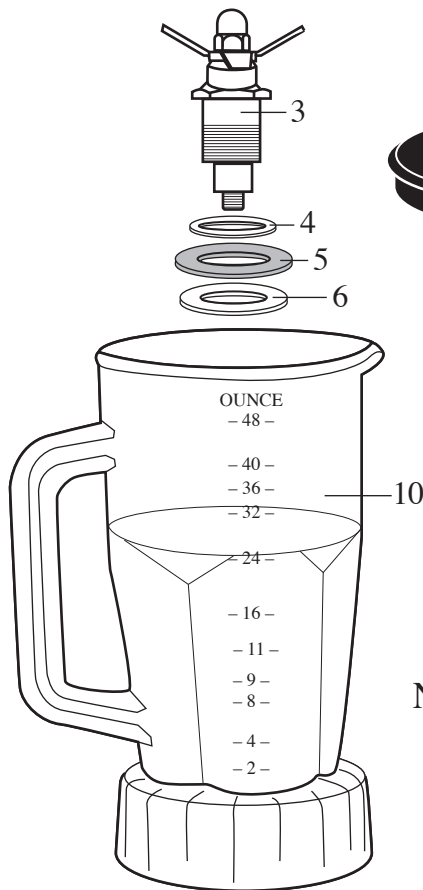
HGB146

HGB147

HGB146 with Extra Container
Heavy Duty Blender

Old Units had a Juice Works Label

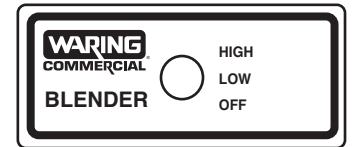
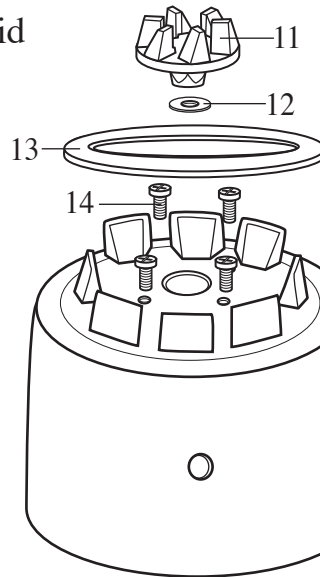
HGB14D (marked for deletion)
HGB146 Blender w/ Extra Container



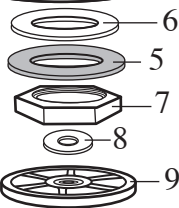
500664
2 Piece Lid



013304
NSF Seal

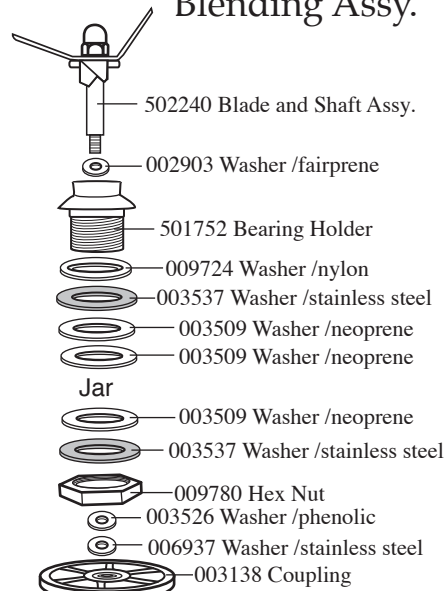


015394
Name Plate

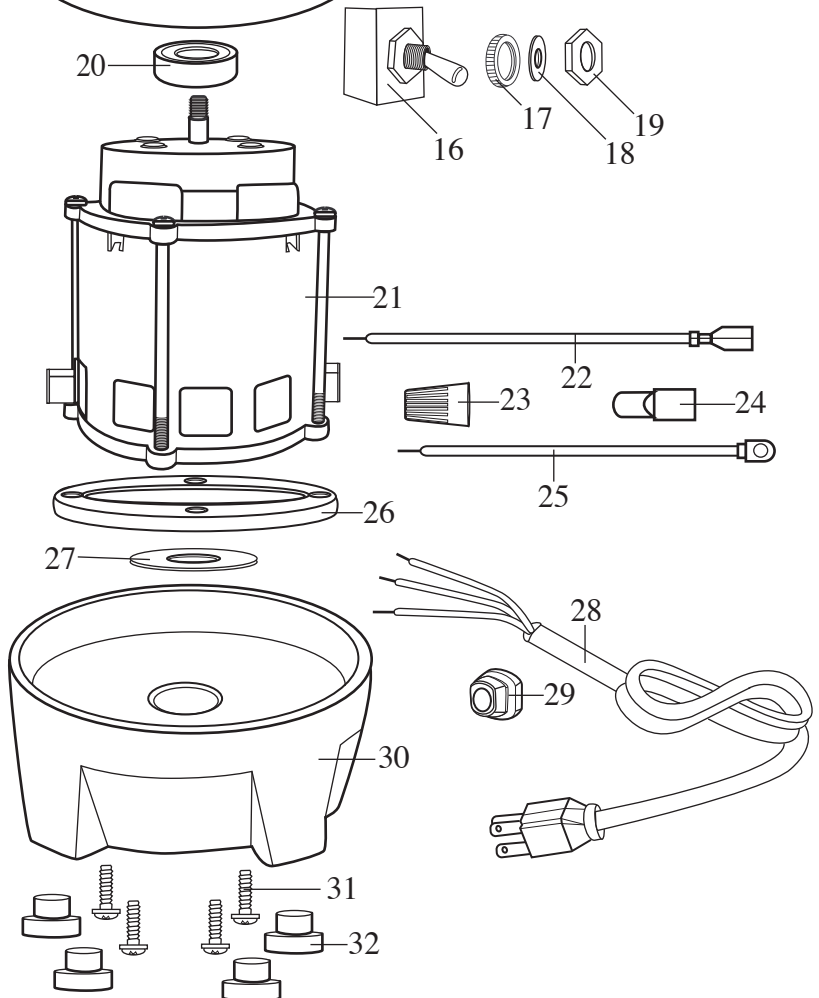


503154 (current production & 4th generation)
502589 (3rd, 2nd generation & older units)
Container with Blending Assy.

503173 (current production & 4th generation)
501832 (3rd, 2nd generation & older units)
Blending Assy.



501832
Blending Assy.



Unit Information

8.5 Amps - 1 1/2 HP (029321, 503196 & 028156 motors)
7.5 Amps - 1 HP (701191 & 025722 motors)

Catalog**Model #**

HGB146 35BL47 (*older units*) HGBPBKP4 (*current, 4th, 3rd & 2nd generations*)
 HGB147 39BL18 (*older units*) HGBPBKP4 (*current, 4th, 3rd & 2nd generations*)
 HGB14D 35BL47 (*older units*) HGBPBKP4 (*current, 4th, 3rd & 2nd generations*)

Waring Factory Service Center
 314 Ella T. Grasso Ave.
 Torrington, CT 06790
 Tele. 1-800-269-6640
 Fax 860-496-9017
 www.waringproducts.com

Illustration #	Part #	Description
1	011700	Center Lid
2	013442	Outer Lid / vinyl
3	503153	Blade Assy.
4	009724	Washer / nylon
5	003537	Washer / stainless steel 2 Req.'d
6	003509	Washer / neoprene-rubber 2 Req.'d
7	009780	Hex Nut
8	003507	Washer / stainless steel
9	014014	Coupling/wagon wheel
10	019560	Container / 48 oz. polycarbonate
11	018999	Drive Coupling 2 Req.'d
12	026413	Washer Cap
	003507	Washer (<i>older units</i>)
13	017777	Cushion Ring
14	007558	Screw 4 Req.'d
15	015377-09	Top Housing / black
16	029355	Toggle Switch
	012698	Toggle Switch (<i>2nd generation & older units</i>)
17	014603	Locking Ring
18	014604	Washer / lint
19	016236	Hex Nut
20	019937	Housing Seal
21	029321	Motor
22	501232	Lead (<i>current production, 4th, 3rd & 2nd generation</i>)
23	009051	Wire Nut 2 Req.'d
24	012409	Crimp Connector (<i>current production</i>)
25	025662	Foam Baffle
	013365	Baffle (<i>older units</i>)
26	503195	Lead / green-yellow
	501658	Lead / green-yellow (<i>4th, 3rd, 2nd generation & older units</i>)
27	008324	Gasket

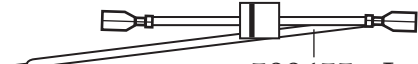


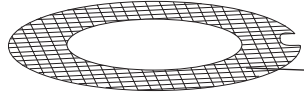
Catalog

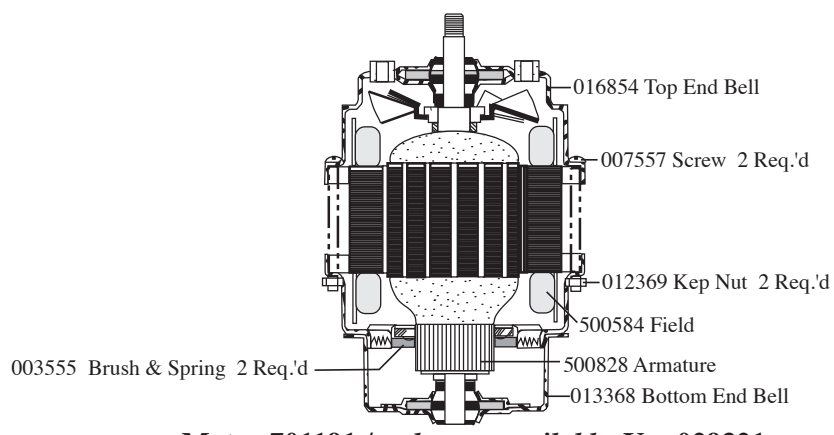
Model #

HGB146	35BLA7 (older units)	HGBPBKP4 (current, 4th, 3rd & 2nd generations)
HGB147	39BL18 (older units)	HGBPBKP4 (current, 4th, 3rd & 2nd generations)
HGB14D	35BLA7 (older units)	HGBPBKP4 (current, 4th, 3rd & 2nd generations)

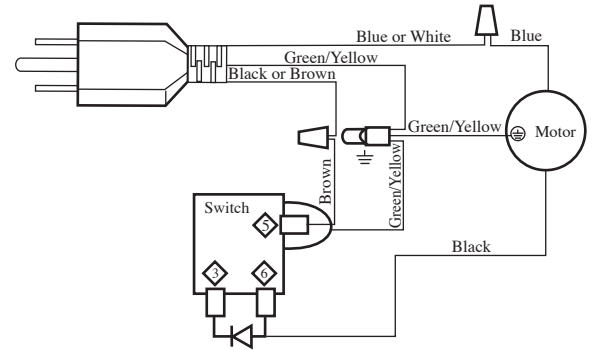
Waring Factory Service Center
 314 Ella T. Grasso Ave.
 Torrington, CT 06790
 Tele. 1-800-269-6640
 Fax 860-496-9017
 www.waringproducts.com

Illustration #	Part #	Description
28	029309	Cord Set
	003565	Cord Set (4th, 3rd & 2nd generation)
	500830	Cord Set (older units)
29	012920	Strain Relief
	007556	Strain Relief (4th, 3rd, 2nd generation & older units)
30	028591-X	Bottom Housing
	014012	Bottom Housing (4th, 3rd, 2nd generation & older units)
31	017239	Sems 4 Req.'d
32	004090	Foot 4 Req.'d

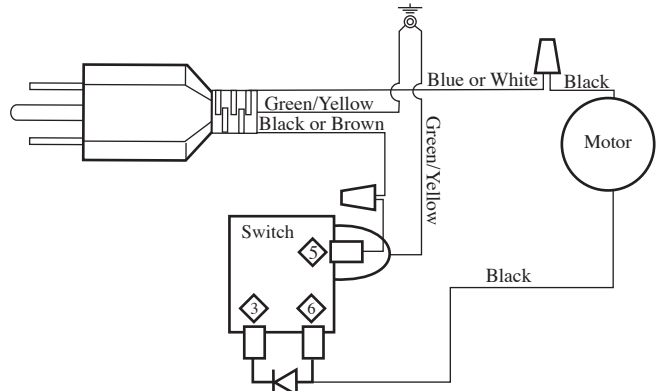
-  500455 - Lead Assy. /black with diode - 003262 (701191 motor)
-  002436 - Screw (4th, 3rd, 2nd generation & older units)
-  002943 - Washer (4th, 3rd, 2nd generation & older units)
-  013963 - Bottom Housing Screen (4th, 3rd, 2nd generation & older units)



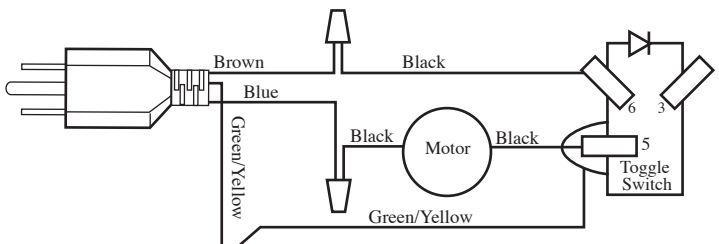
Motor 701191 /no longer available Use 029321
 Limited Availability of Parts



Wiring Diagram (current production)



Wiring Diagram (4th, 3rd & 2nd generations)



Wiring Diagram (older units)