

# WARING COMMERCIAL

2.5-Quart Sealed Batch Bowl  
Food Processor

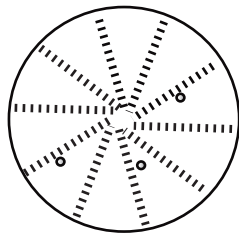
## WFP11S

### Unit Information

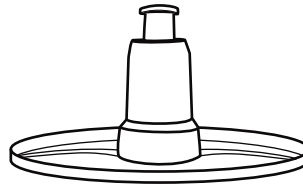
5 Amps MAX

¾ HP Motor

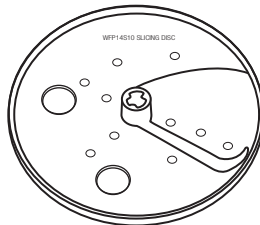
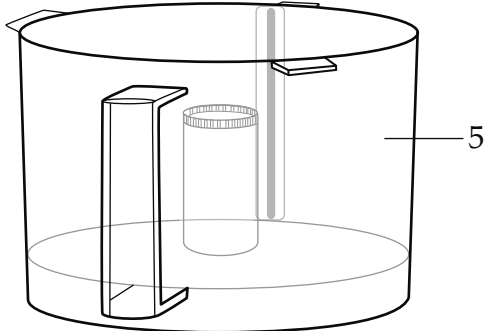
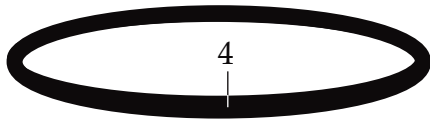
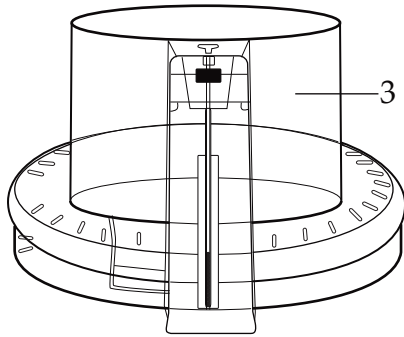
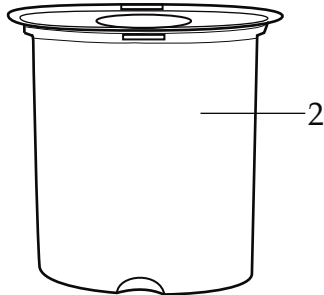
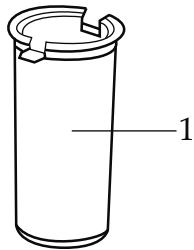
5 Yr Motor - 2 Yr Parts & Labor Warranty



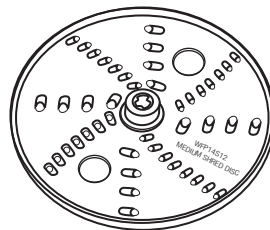
**032280**  
2mm - 5/64"  
Fine Grating Disc



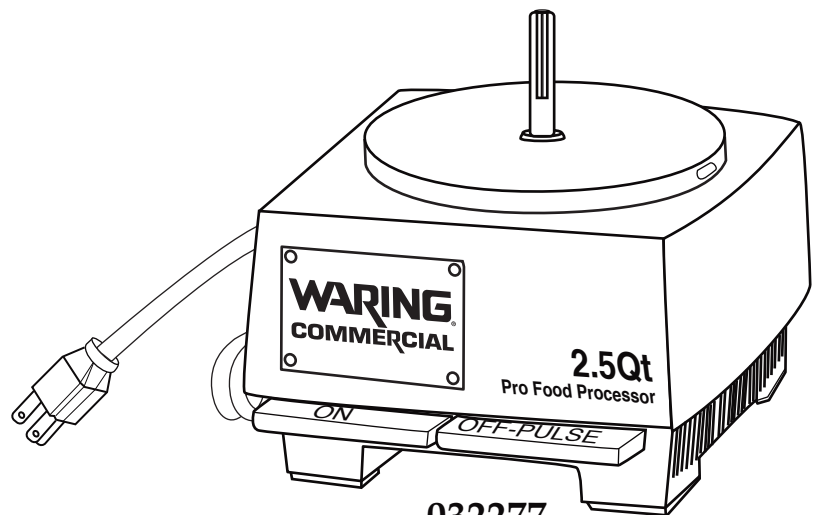
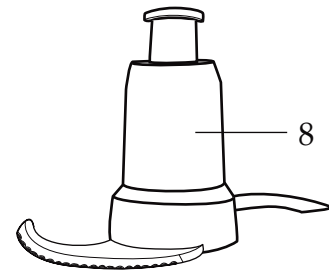
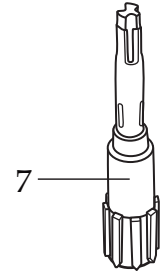
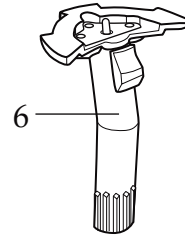
**032417**  
Sealed  
Whipping Disc



**032793**  
Adjustable Slicing Disc

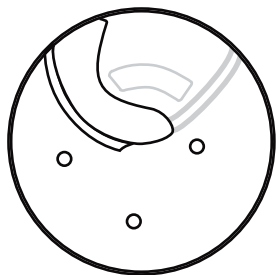


**032794**  
Reversible Shredding Disc



**032277**  
Base Unit Assy.

Illustration #	Part #	Description
1	032221	Small Pusher
2	032220	Large Pusher
3	032791 032281	Bowl Cover / with bump Bowl Cover / no bump ( <i>older units</i> )
4	032282	Cover Seal
5	032283	Bowl
6	032284	Disc Stem
7	032792	Disc Stem / adjustable
8	032285	Serrated S Blade



**Slicing Disc**

032524

1/4" (6mm)

032278

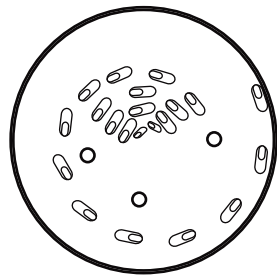
5/32" (4mm)

032522

1/8" (3mm)

032288

5/64" (2mm)



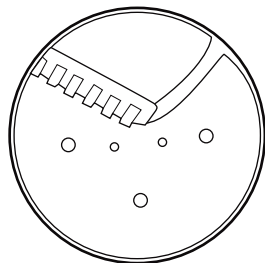
**Shredding Disc**

032279

5/32" (4mm)

032520

5/64" (2mm)



**French-Fry Disc**

032531

1/4" x 1/4" (6 x 6mm)

**Julienne Disc**

032525

1/8" x 1/8" (3 x 3mm)

**Internal Components**

