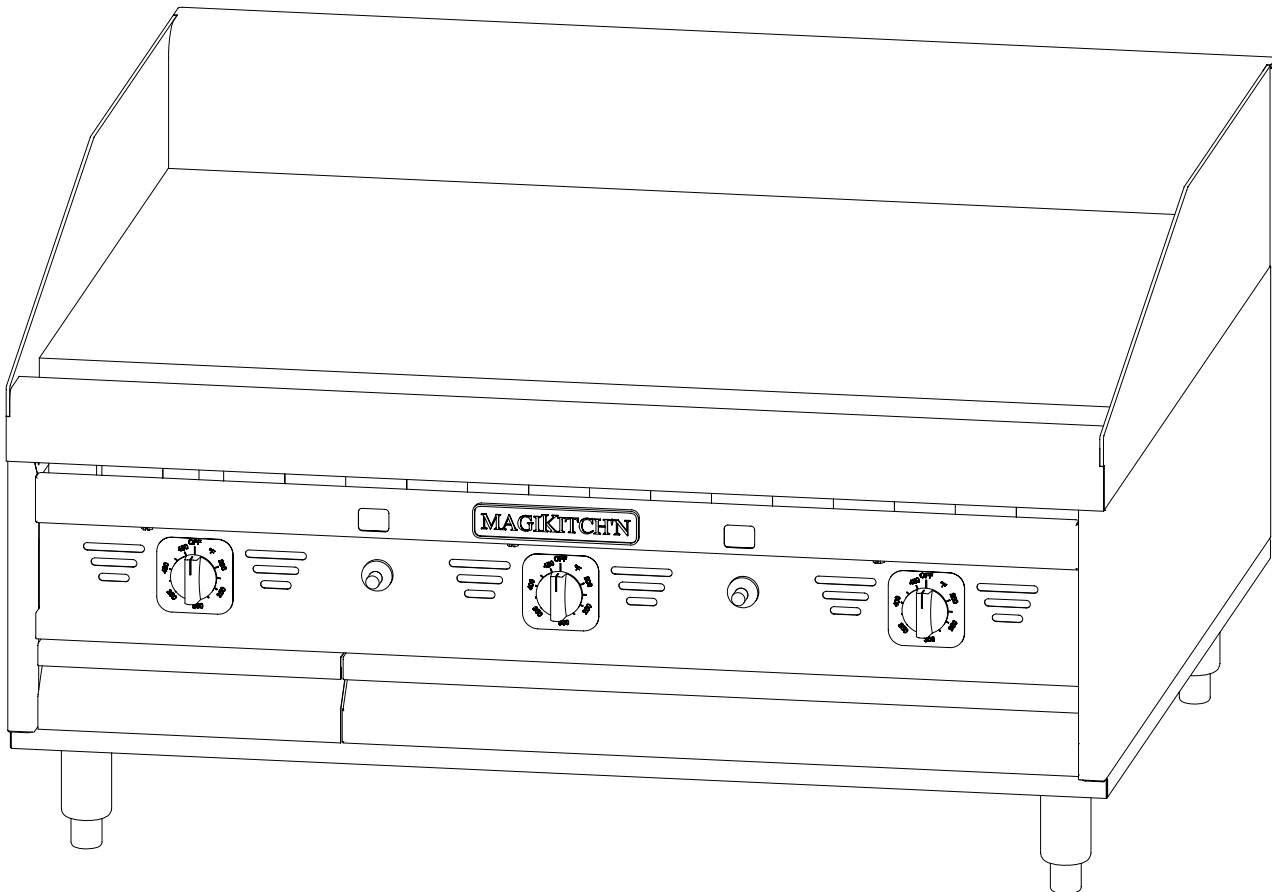




**GAS GRIDDLE
INSTALLATION & OPERATION
MANUAL**

MKG24, MKG36, MKG48, MKG60 & MKG72
Built After June 1, 2003



MAILING - P.O. BOX 501, CONCORD, NH 03302-0501
SHIPPING - 10 FERRY ST. CONCORD, NH 03301
TEL: 800-258-3708 • 603-225-6684 • FAX: 603-225-8497

www.magikitchn.com

L25-050 Rev. 0

THIS MANUAL MUST BE RETAINED FOR FUTURE REFERENCE

FOR YOUR SAFETY

DO NOT store or use gasoline or other flammable vapors or liquids in the vicinity of this or any other appliance.

WARNING

Improper installation, alteration, service or maintenance can cause property damage, injury or death. Read the installation, operating and maintenance instructions thoroughly before installing or servicing this equipment.

TO THE PURCHASER

Post in a prominent location the instructions to be followed in the event that an operator smells gas. Obtain this information from your local gas supplier.

WARNING

There is an open flame inside this appliance. The unit may get hot enough to set nearby materials on fire. Keep the area around the appliance free from combustibles.

WARNING

DO NOT supply the appliance with a gas that is not indicated on the data plate. If you need to convert the appliance to another type of fuel, contact your dealer.

WARNING

DO NOT use an open flame to check for gas leaks!

WARNING

If gas flow to appliance is interrupted, or pilots extinguish, wait 5 minutes before attempting to relight the pilot to allow any residual gas in appliance to dissipate.

WARNING

Ensure that the appliance can get enough air to keep the flame burning correctly. If the flame is starved for air, it can give off a dangerous carbon monoxide gas. Carbon monoxide is a clear odorless gas that can cause suffocation.

WARNING

An appliance equipped with casters and a flexible gas line must be connected to the gas supply with a quick disconnect device. This quick disconnect must comply with ANSI Z24.41. To limit the movement of the appliance without depending on the connector or quick disconnect, a restraining cable must also be installed.

WARNING

Models with electric controls are equipped with an oil proof electrical supply cord, with a three-prong safety plug. This is to protect operators from electrical shock hazard in the event of an equipment malfunction. **DO NOT** cut or remove the grounding (third) prong from this plug.

WARNING

This appliance, when installed, must be electrically grounded in accordance with local codes, or in the absence of local codes, with the *National Electrical Code, ANSI/NFPA 70, or the Canadian Electrical Code, CSA C22.2*, as applicable.

WARNING

The power supply must be disconnected before servicing or cleaning this appliance.

WARNING

Do not attempt to move this appliance when the unit is at operating temperature. Serious personal injury could result if skin comes in contact with the hot surfaces.



Table of Contents

- 1. *INSTALLATION SECTION*: 1
 - 1.1. CHECKING YOUR NEW GRIDDLE: 1
 - 1.2. INSTALLATION CLEARANCES: 1
 - 1.3. GAS CONNECTION: 1
 - 1.3.1. Fuel Types: 2
 - 1.3.2. Quick Disconnect Connection: 2
 - 1.3.3. Fuel Supply Line and Leak Pressure Testing: 2
 - 1.4. VENTILATION AND FIRE SAFETY SYSTEMS: 2
 - 1.5. INSTALLATION, SET UP: 3
 - 1.5.1. For Counter Use With Legs: 3
 - 1.5.2. For Counter Use Without Legs: 3
 - 1.5.3. For Use on Optional Equipment Stand: 4
 - 1.6. FINAL GAS CONNECTION: 5
 - 1.6.1. Regulator Assembly: 5
 - 1.6.2. Gas Settings: 6
- 2. *OPERATION SECTION*: 6
 - 2.1. LIGHTING INSTRUCTIONS: 6
 - 2.1.1. Snap Action Thermostat Appliances: 6
 - 2.1.2. Solid State and Electric Thermostat Appliances: 6
 - 2.2. INITIAL STARTUP: 7
 - 2.2.1. Griddle Surface Seasoning: 7
 - 2.2.2. Surface Temperature Check: 7
 - 2.3. SHUTDOWN PROCEDURE: 7
 - 2.3.1. Snap Action Thermostat Appliances: 7
 - 2.3.2. Solid State and Electric Thermostat Appliances: 7
- 3. *THERMOSTAT CALIBRATION SECTION*: 8
 - 3.1. CALIBRATION PROCEDURES: 8
 - 3.1.1. Snap Action and Electric Thermostats: 8
 - 3.1.2. Solid State Thermostat: 8
- 4. *BASIC OPERATION*: 9
 - 4.1. OPERATIONAL HELPFUL HINTS: 9
 - 4.2. SUGGESTED COOKING TIMES & TEMPERATURES: 9
- 5. *CLEANING & MAINTENANCE SECTION*: 10
 - 5.1. DAILY CLEANING: 10
 - 5.2. GRIDDLE SURFACE CLEANING, END OF SHIFT: 10
 - 5.2.1. Plain Steel Cooking Surface: 10
 - 5.2.2. Chrome Plated Cooking Surface: 10
 - 5.3. MONTHLY MAINTENANCE: 10
 - 5.3.1. Monthly Checks: 10
 - 5.4. TROUBLESHOOTING CHART: 11
 - 5.5. ACCESSORIES: 11
 - 5.5.1. Standard: 11
 - 5.5.2. Optional: 12

1. INSTALLATION SECTION:

1.1. CHECKING YOUR NEW GRIDDLE:

Your new griddle has been carefully packed into one crate. Every effort has been made to ensure that your new griddle is delivered to you in perfect condition. As you unpack your new appliance, inspect each of the pieces for damage. If something is damaged, Contact the shipper immediately; the shipper is only responsible for 15 days after delivery. Check the packing list enclosed with your griddle to ensure that you have received all the parts to the griddle. If you are missing any parts, contact the dealer from whom the griddle was purchased.

In the provided spaces below fill in the Model No., Serial No. and the date the appliance was received. Remove the grease box and you will find the Information on the Data plate on the inside cabinet wall either on the left or right side, see figure 1 below. Keep this information in a safe place so it can be referred to in the future.

<i>Model Number</i>	
<i>Serial Number</i>	
<i>Date of Installation</i>	
<i>Purchased from</i>	

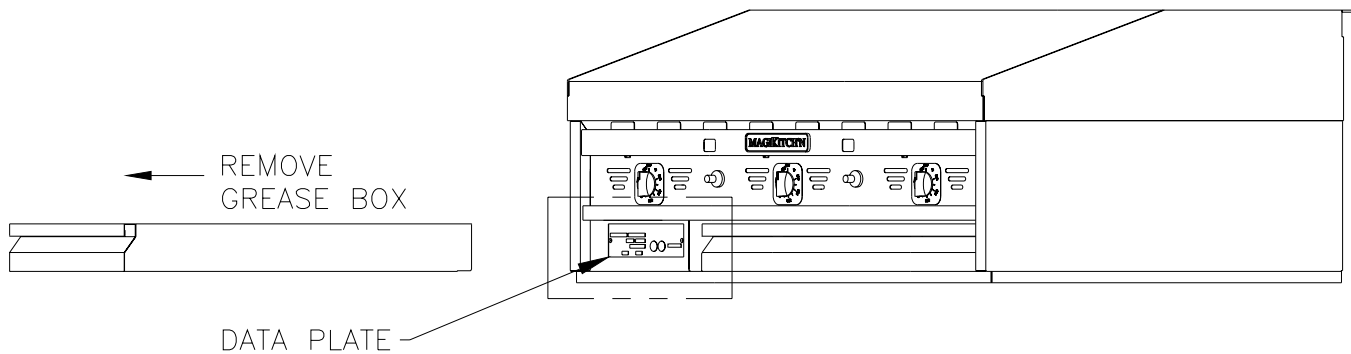


FIGURE #1

1.2. INSTALLATION CLEARANCES:

Your new MagiKitch'n Griddle needs clearance around it for proper operation. Adequate clearances allow for servicing and proper burner operation. The clearances shown below are for installation in combustible and non-combustible construction.

Location	Combustible Construction Inches (Centimeters)	Non-Combustible Construction Inches (Centimeters)
Cabinet Back	8.0 (20.4)	8.0 (20.4)
Cabinet Sides	2.0 (5.0)	0.0 (0.0)

1.3. GAS CONNECTION:

Your gas appliance will give you peak performance when the gas supply line is of sufficient size to provide the correct gas pressure. The gas line must be installed to meet the local building codes or National Fuel Gas Code ANSI Z223.1 Latest Edition. In Canada, install the appliance in accordance with CAN/CGA-B149.1 or .2 and local codes. Gas line sizing requirements can be determined by your local gas company by referring to the National Fuel Gas Code, Appendix C, Table C-4 (for natural gas) and Table C-16 (for propane). The gas line needs to be large enough to supply the necessary amount of fuel to all appliances without losing pressure to any appliance.

WARNING

NEVER supply the appliance with a gas that is not indicated on the data plate. Using the incorrect gas type will cause improper operation. If you need to convert the appliance to another type of fuel, contact your dealer.

1.3.1. Fuel Types:

Each appliance is equipped to work with one type of fuel. The type of fuel with which the appliance is intended to operate is stamped on the data plate, see figure 1.

CAUTION

NEVER use an adapter to make a smaller gas supply line fit the cooker connection. This may not allow proper gas flow for the optimum burner operation, resulting in poor cooking performance.

1.3.2. Quick Disconnect Connection:

Gas appliances equipped with casters must be installed with connectors that comply with the Standard for Connectors for Movable Gas Appliances, ANSI Z21.69.CSA 6.16 Latest Edition. This connection should include a quick disconnect device that complies with the Standard for Quick Disconnect Devices for Use With Gas Fuel ANSI Z221.41.CSA 6.9 Latest Edition. When installing a quick disconnect you must also install a means for limiting the movement of the appliance. This device will prevent the gas line or the quick disconnects from being strained. The restraining device should be attached to the appliance at the back panel.

1.3.3. Fuel Supply Line and Leak Pressure Testing:

The fuel supply system must be tested before the appliance is used. If the fuel line is going to be tested at a pressure greater than ½ PSIG (3.45 kPA), make sure that the appliance is disconnected from fuel line. If the fuel line is to be tested at a pressure equal to or less than ½ PSIG (3.45 kPA), the appliance can be connected, but the unit's gas valve must be shut. Test all gas line connections for leaks with a solution of soap and water when pressure is applied.

1.4. VENTILATION AND FIRE SAFETY SYSTEMS:

Your new gas appliance must have proper ventilation to function safely and properly. Exhaust gas temperatures can reach as high as 1000°F (538 °C). Therefore, it is very important to install a fire safety system. Your ventilation system should be designed to allow for easy cleaning. Frequent cleaning of the ventilation system and the appliance will reduce the chances of fire. Table 1-2 provides a list of reference documents that provide guidance on ventilation and fire safety systems. This table is not necessarily complete. Additional information can be obtained from CSA International, 8501 East Pleasant Valley Rd., Cleveland, OH 44131.

Excessive ventilation causes drafts, which will interfere with the proper operation of the pilot and the burner. Leave at least 18 inches of open space between the appliance's flue vent opening and the intake of the exhaust hood.

CAUTION

Ensure that your ventilation system does not cause a down draft at the appliance's flue opening. Down drafts will not allow the appliance to exhaust properly and will cause overheating which may cause permanent damage. Damage caused by down drafts will not be covered under equipment warranty. NEVER allow anything to obstruct the flow of combustibles or ventilation exiting the appliance flue. DO NOT put anything on the top of the flue area.

CAUTION

NEVER connect the blower directly to the flue opening(s). The direct flow of air will cause poor temperature recovery, poor ignition, and inefficient operation of the appliance and could extinguish the pilot(s).

1.5. INSTALLATION, SET UP:

The installation of this appliance **MUST** conform to local codes. In the absence of local codes, the installation must conform to the National Fuel Gas Code, ANSI Z223.1; Natural Gas Installation Code, CAN/CGA-B149.1; or Propane Installation Code, CAN/CGA-B149.2 as applicable.

A. Uncrate appliance and locate installation accessories shipped with the appliance.

1.5.1. For Counter Use With Legs:

CAUTION

To prevent equipment damage, **DO NOT** tilt your MagiKitch'n griddle on only two legs, or on its sides.

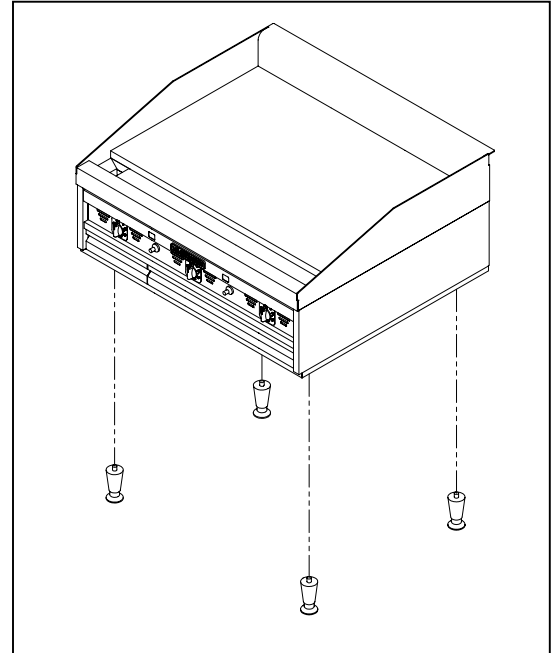
A. (See picture at right) A set of 4" legs is shipped with the appliance (unless appliance was specifically ordered without legs). A threaded receptacle is located near each corner of the underside of the base of the appliance, on appliances 48" and wider there are threaded receptacles in the front and rear center of the base. Each leg has a similar mating thread. Raise appliance sufficiently to allow legs to be screwed tightly into receptacles. The appliance can be leveled by adjusting the feet at the bottom of the leg assembly. This can be done by turning the foot in or out to lower or raise each corner as needed.

NOTICE

4" Legs should not to be used with the optional Equipment Stand.

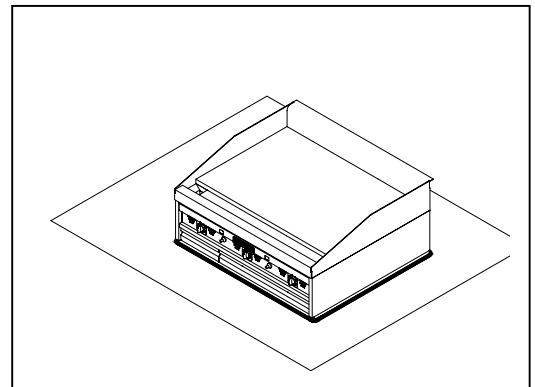
CAUTION

The appliance must be level to perform properly. Failure to level unit may result in improper combustion and performance of the appliance.



1.5.2. For Counter Use Without Legs:

A. (See picture at right) The appliance must be sealed to the counter to comply with applicable sanitation standards. A bead of silicone sealant, approximately 1/2 inch wide, is to be applied to the bottom of the unit approximately 1/4" in from the front, back and side edges. We suggest Dow Corning®, GE® or Permatex® silicone 'RTV' adhesive sealant or equivalent. (See NSF Basic Criteria C-2 for details).



1.5.3. For Use on Optional Equipment Stand:

ATTENTION

Rear mounting brackets should be installed to the Equipment Stand prior to placing griddle on the stand.

CAUTION

Only two of the four supplied casters are equipped with a locking feature. Install the griddle so that the two locking casters are at the front of the unit. The casters should be LOCKED before the unit is placed into operation.

(See pictures this page). To mount the griddle to the stand, locate joining kit supplied with stand. The joining kit should include (2) rear mounting brackets, and (4) 1/2" mounting bolts. To mount the griddle to the equipment perform the following steps:

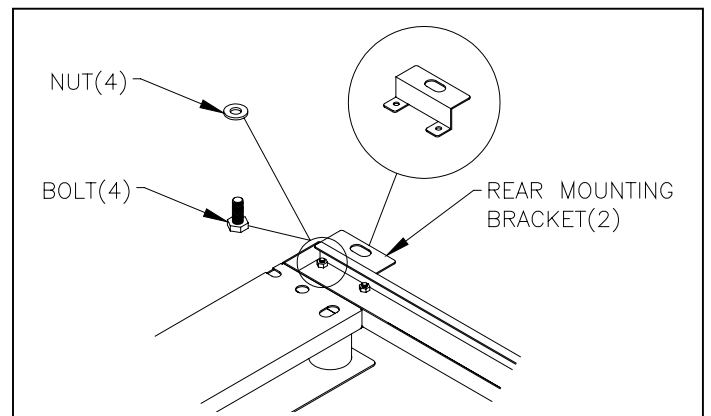
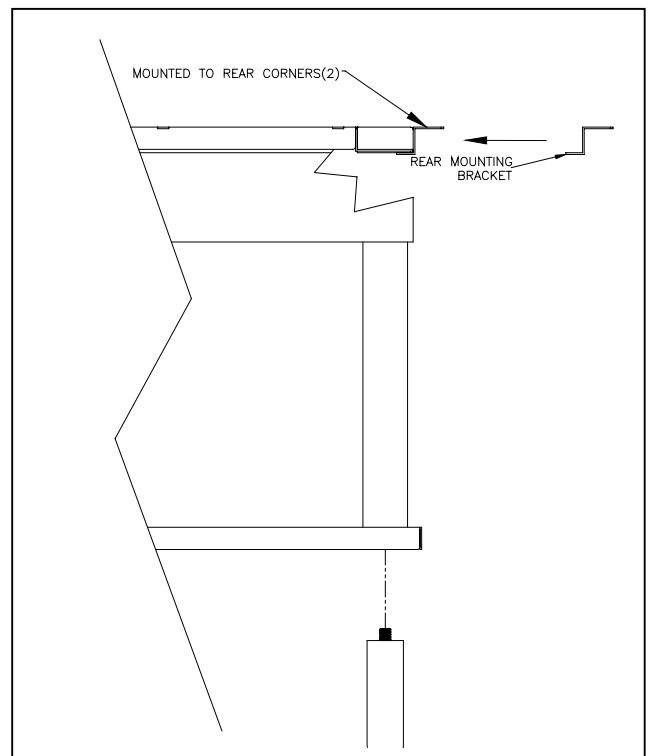
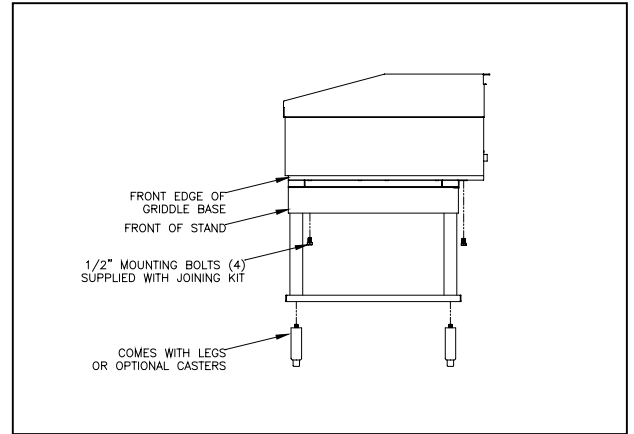
NOTICE

The larger units have 6 threaded receiving holes, but require only the four 1/2" bolts on each corner to mount the griddle.

- Step 1-** Remove (4) existing 1/4-20 nuts and bolts from the rear corners of the equipment stand.
- Step 2-** Align the 2 bolt holes on the rear corners of the stand with the 2 bolt holes on the rear mounting brackets. Orient the brackets as shown in the pictures on this page.
- Step 3-** Install the provided rear mounting brackets (2) to the rear corners by using the existing 1/4-20 hardware that were removed in step 1, tighten securely.
- Step 4-** Carefully place the griddle on the equipment stand.
- Step 5-** Once the griddle is on the stand position the griddle on the stand so that the front edge of the base is flush with the front of the equipment stand. If the griddle is the only appliance to be mounted on the stand, then both sides of the griddle should be flush with the sides of the equipment stand.
- Step 6-** When positioned properly, the threaded receiving holes in the griddle base should be aligned with mating clearance holes at the front of the equipment stand, and with the clearance holes in the rear mounting brackets. Install the provided 1/2" bolts and tighten securely.

NOTICE

This appliance may only be installed with casters provided by the manufacturer. When installed with casters, a gas connection complying with ANSI Z21.69/CGA-6.16 and a quick disconnect device complying with ANSI Z21.41/CAN 1-6.9. It must also be installed with a restraining device to guard against putting any strain on the gas connections when the unit is moved.



1.6. FINAL GAS CONNECTION:

A properly installed gas supply system will deliver adequate pressure (7 to 8 inches w.c. for natural gas, 11 to 12 inches w.c. for propane) to all appliances connected to the line, operating at full demand.

1.6.1. Regulator Assembly:

An adequate gas supply is important for the appliance to operate properly. Undersized lines or low-pressures will restrict the volume of gas required for satisfactory performance. A steady supply pressure between 7" and 8" w.c. for natural gas or 11" to 12" for propane gas is required. With all gas appliances operating simultaneously, the manifold pressure on all gas appliances should not show any appreciable drop. Fluctuations of more than 25% on natural and 10% on propane gas will create pilot problems and affect burner operating characteristics. Contact your gas company for correct supply line sizes. After connection, a certified gas service agent should check all newly installed equipment for correct gas pressure. The unit should be connected ONLY to the type of gas for which it is equipped. Check the type of gas on the serial plate.

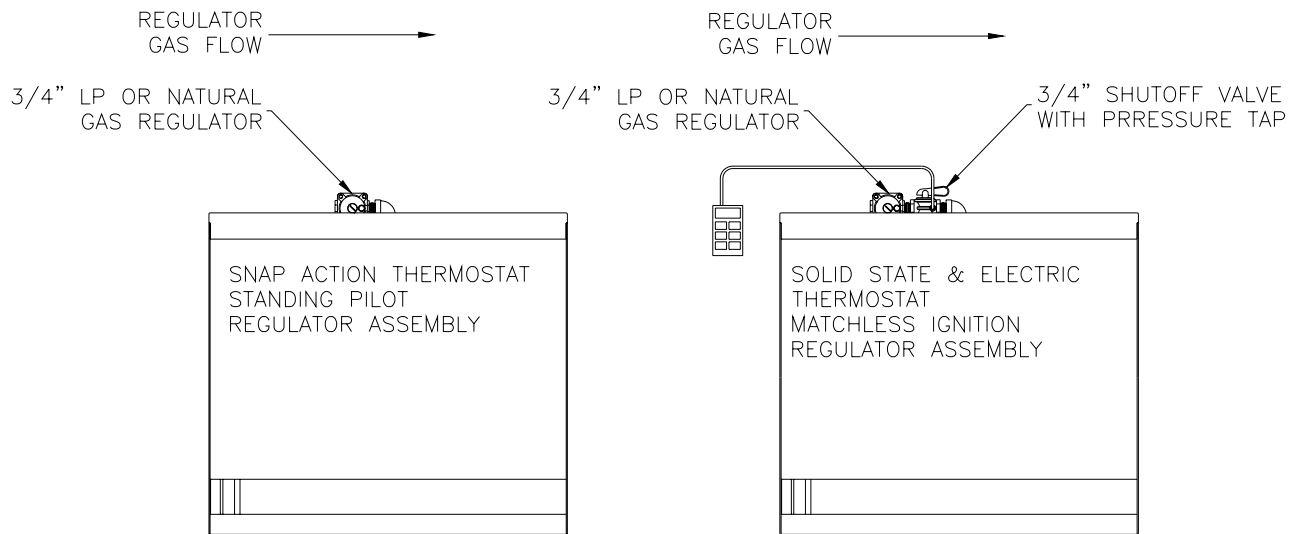


FIGURE #2

- A. Attach regulator supplied with the appliance to the gas inlet supply pipe located at the rear of the unit. Appliances equipped with Matchless Ignition controls are also supplied with a 3/4" manual shut off valve. Be sure regulator is connected so that gas flow is in the direction of the arrow on the bottom of the regulator. See figure #2 for the correct installation of the regulator piping components. Using a regulator other than the one supplied with the unit will void the warranty.
- B. The manifold pressure must be maintained at the pressure marked on the Data plate. For appliances equipped with Solid State or Electric Thermostat controls the pressure reading is taken at the pressure tap supplied on the 3/4" manual shut off valve, see figure #2. For all other griddles, a pressure tap is located behind the door on the 1.0" square manifold, see figure #3.
- C. Use pipe joint compound that is suitable for use with LP gas on all threaded connections.
- D. Turn off all thermostats.
- E. Turn on gas supply and check all connections for leaks using ONLY a leak checking fluid or soapy water. NEVER use an open flame to check for gas leaks.
- F. Provision must be made for adequate air supply for both the appliance and room occupants.
- G. Keep area in front of unit free from obstruction that could block flow of combustion and/or ventilation air.
- H. Be certain that adequate clearance is maintained so that air openings in front of the unit are not blocked and any subsequent service can be performed. Ensure that rear and side clearances stated on the serial plate and in the clearance section of this manual are strictly followed.

1.6.2. Gas Settings:

Orifices are sized to provide proper gas flow to the rated BTU/hr for each model. Regulator pressure must be measured and adjusted before the unit goes into service, following installation and when operational performance is in question.

Gas Type	BTU/hr(kW) Per Burner	Manifold Pressure WC" (Matchless)	Manifold Pressure WC" (All Others)
Natural	15,000(4.4)	4.0"(10.1cm)	4.5"(11.4cm)
Propane	15,000(4.4)	10.0"(25.4cm)	10.0"(25.4cm)

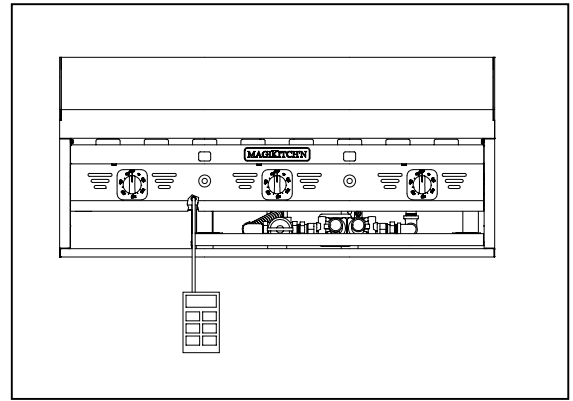


FIGURE #3

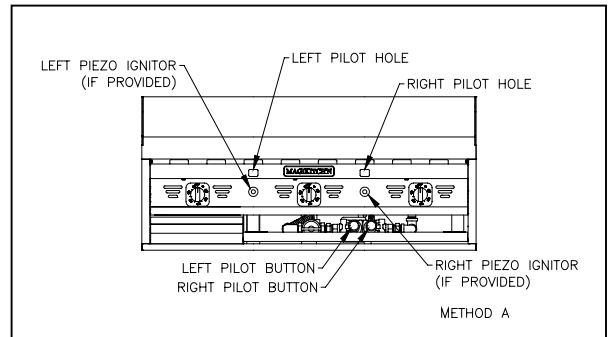
2. OPERATION SECTION:

Ensure that a proper installation has been performed on the appliance and that all warnings, cautions, and notices contained in this manual have been read, understood and adhered to before proceeding.

2.1. LIGHTING INSTRUCTIONS:

2.1.1. Snap Action Thermostat Appliances:

- A. Turn all thermostat knobs to the **"OFF"** position.
- B. Open front door of the griddle, turn the manual gas shut off valve to the **"ON"** position.
- C. Press and hold the leftmost **RED** pilot button, see detail Method A at right, and light the leftmost pilot with a flame source, through the left pilot hole, or depress the Piezo ignition control (If Provided). With pilot burning, keep the **RED** pilot knob depressed for 45 seconds or until pilot remains lit automatically.
- D. Repeat steps A, B, and C for all remaining pilots.
- E. Operate thermostats by turning knobs clockwise to the desired temperature and insure that burners light properly by looking through the pilot holes provided in the front panel.

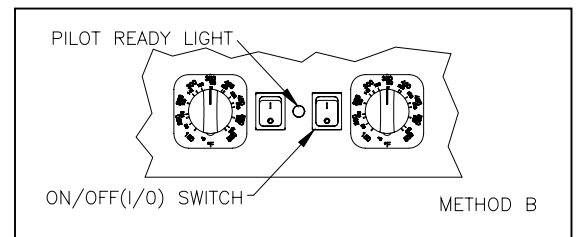


NOTICE:

If appliance contains more than one pilot, the leftmost pilot *MUST* be lit first or the other pilot *WILL NOT LIGHT*.

2.1.2. Solid State and Electric Thermostat Appliances:

- A. Turn all thermostat knobs to the **"OFF"** position, or the lowest possible temperature setting.
- B. Turn the Manual gas shut off valve to the **"ON"** position, this valve is located at the rear of the unit, see Figure #2.
- C. Turn the **RED** "I/O" switch to the **"I"(ON)** position for all desired Thermostats to be operated, See detail Method B at right. When the Pilot ready (Amber) light illuminates, the pilot(s) are ready to operate the main burners.
- D. Repeat for all thermostat controls to be operated.
- E. Operate thermostats by turning knobs clockwise to the desired temperature and insure that burners light properly by looking through the pilot holes provided in the front panel. The **RED** "I/O" switch will illuminate when the thermostat calls for heat.



CAUTION

If Pilot Ready light(s) does not illuminate, Turn all Thermostat "I/O" switches for that pilot to "O"(OFF), wait five minutes before attempting to re-light.

If Pilot(s) extinguish or gas supply is interrupted, turn thermostat knobs and the gas shut off valve to the "OFF" position and wait 5 minutes before attempting to re-light.

2.2. INITIAL STARTUP:**NOTICE:**

New griddles should be carefully tempered and cared for in order to avoid possible damage. To break in a new griddle, do the following:

Wipe the griddle surface clean. A mild soapy water solution may be used to clean the surface, if this solution is used be sure to rinse thoroughly with fresh water to eliminate any soap residue. Also it is important to wipe the griddle surface and surrounding areas to dry up any standing water. Never allow water on a hot griddle surface.

Seasoning is not required on a Chrome Plated Cooking surface, but the following procedure may be performed to improve the non-stick qualities of the chrome plated cooking surface.

2.2.1. Griddle Surface Seasoning:

- A. To season the griddle, light all the griddle burners and set the thermostats to 200°F. As the unit heats up to 200°F, apply a light film of cooking oil or beef suet over the entire cooking surface, wiping off any excess build up. This step may be repeated as necessary to apply an even coating on the griddle surface. Seasoning will help create and maintain a non-stick surface on your griddle.
- B. Allow the seasoned surface to idle for one hour at 200°F, Then set the thermostats to your desired cooking temperature, once your griddle surface has reached temperature apply another coating of seasoning oil, wiping off any excess that may cause build up.

2.2.2. Surface Temperature Check:

- A. If available, place grill surface thermometer over each thermostat sensing probe 12" from the front edge of the griddle surface. The first sensing probe is located 6" from the left side of the griddle, additional sensing probes are every 12" to the right thereafter.
- B. Heat the griddle up to the desired cooking temperature; check the surface temperature reading on the grill thermometer. If necessary, adjust the thermostats that control any area of the surface that are not within +/- 15°F of the thermostat setting. The procedure for adjusting the thermostats is in Section 3.

2.3. SHUTDOWN PROCEDURE:**2.3.1. Snap Action Thermostat Appliances:**

- A. Turn thermostat knobs to the "OFF" position.
- B. Turn gas shut off valve to "OFF" position.
- C. Allow griddle surface to cool normally.

2.3.2. Solid State and Electric Thermostat Appliances:

- A. Turn thermostat knobs to the "OFF" position, or the lowest possible temperature setting.
- B. Turn "I/O" Switch to "O" position. Close manual gas valve shut off.
- C. Allow griddle surface to cool normally.

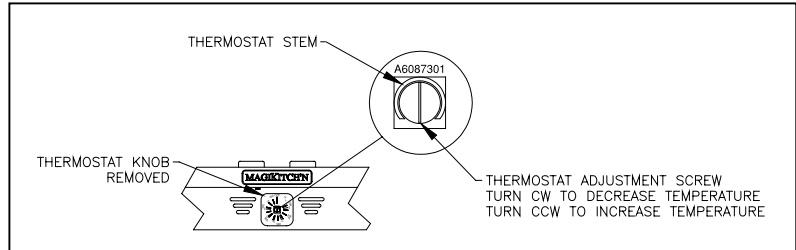
3. THERMOSTAT CALIBRATION SECTION:

Each control typically operates a pair of burners with a Snap action, Electric or Solid State. The controls were set at the factory. However, if the griddle’s surface temperature varies greatly from the setting on the thermostat knob, adjust the thermostat using the following procedure:

3.1. CALIBRATION PROCEDURES:

3.1.1. Snap Action and Electric Thermostats:

- A. Light pilots per lighting instructions.
- B. Turn all the control knobs to the desired temperature setting.
- C. Wait 30 minutes (or 1 hour if griddle was cold) for surface to stabilize.
- D. Place a reliable Griddle surface thermometer, or test instrument thermocouple, (able to register 300°F), in the location above the thermostat being calibrated as described in section 2.3.2. Check the temperature every 5 minutes until the temperature stabilizes and does not change by more than 30°F over a 15 minute time period.



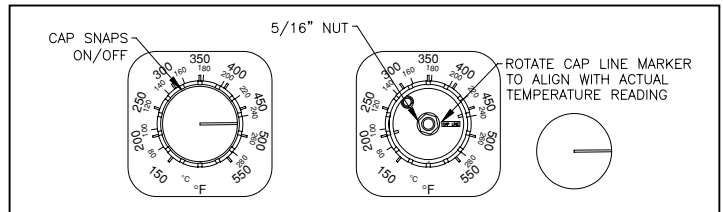
NOTICE:

The adjustment screw in the thermostat is sealed at the factory to protect the calibration, it may be necessary to remove this seal to be able to adjust the thermostat.

- E. If the average temperature over any burner set is not within +/-15°F of the knob setting (300°F), adjust the corresponding thermostat. This is done by removing the knob, holding the thermostat knob stem, see picture this section, (*do not allow the stem to turn or the temperature setting will not be accurate*), then turn the adjustment screw located within the center of the stem in small increments. Turn this screw counter clockwise to increase the temperature, and clockwise to decrease the temperature.
- F. Check the temperature after 15 minutes and repeat adjustment as needed until the correct temperature is indication on the measuring instrument.

3.1.2. Solid State Thermostat:

- A. Light pilots per lighting instructions.
- B. Turn all the control knobs to the desired temperature setting.
- C. Wait 30 minutes (or 1 hour if griddle was cold) for surface to stabilize.
- D. Place a reliable Grill surface thermometer, or test instrument thermocouple, (able to register 300°F), In the location above the thermostat being calibrated described in the Surface Temperature Check section above. Check the temperature every 5 minutes until the temperature stabilizes and does not change by more than 30°F over a 15 minute time period. You will need to remember the average temperature for the next step.
- E. Carefully remove the cap on the thermostat knob with the white indicator line see picture this section. While holding the knob, loosen the 5/16" nut on the thermostat shaft, (**DO NOT REMOVE**), once the nut is loose the knob can be rotated so that the cap line marker is aligned with the actual temperature that the Grill surface thermometer is indicating.
- F. Re-tighten the 5/16" nut while holding the knob in position, (*do not allow the stem to turn or the temperature setting will not be accurate*). Replace cap.



4. BASIC OPERATION:

4.1. OPERATIONAL HELPFUL HINTS:

- A. Each thermostat controls 12" of griddle surface, whenever possible, use the leftmost or rightmost thermostats for the lowest cooking temperatures. The adjacent thermostats set at higher temperatures will effect centrally located thermostats.
- B. For quicker thermostat response during heavy loading of the griddle, load product directly over the thermostat sensing probe. For slow periods load product to one side of the sensing probe to limit possible overheating of unused griddle surface.
- C. Whenever possible, rotate the location of where product is cooked, this will keep the entire 12" of the controlled area at a more even temperature.
- D. If any product sticking occurs, apply a thin coat of cooking oil to the surface before loading product.
- E. When using spatulas or scrapers, it is **Highly Recommended** that the corners of the tools never strike the griddle surface with any force. This could cause damage to the surface that could collect food particles, and make it difficult to clean.

4.2. SUGGESTED COOKING TIMES & TEMPERATURES:

NOTICE:

The times and temperatures in this chart are suggestions only. Your experience with your own menu items will be your best guide to achieving the best food product.

<i>Product</i>	<i>Temperature °F</i>	<i>Time</i>
Breakfast Items		
Pancakes	375°	2 Minutes
French Toast	400	4-5 Minutes
*Breakfast Potatoes	375-400°	15-20 Minutes
Eggs		
Scrambled	300°	3-4 Minutes
Sunny Side Up	225-300°	3-4 Minutes
Over Easy	250-300°	2-3 Minutes
Over Hard	225-300°	3-4 Minutes
Breakfast Meats		
Sausage, Link and Patty	350°	3 Minutes
Bacon	350°	2-3 Minutes
Canadian Bacon	350°	2-3 Minutes
Ham Steaks	375°	3-4 Minutes
Broiled Ham	375°	2 Minutes
Ham, Precooked	375°	2 Minutes
Fish		
Salmon	350°	6-8 Minutes
Hamburgers		
2 Patties per LB.	350°	6-8 Minutes
4 Patties per LB.	350°	4-6 Minutes
6 Patties per LB.	350°	3-4 Minutes
Steaks, etc.		
1/2"-3/4"Thick,Medium	375°	5-7 Minutes
3/4"-1" Thick, Medium	375°	8-10 Minutes
Beef Tenderloin	400°	3-4 Minutes
Sandwiches, etc.		
Grilled Cheese	375°	3-4 Minutes
Hot Dogs	325°	2-3 Minutes

*Based on cubed potatoes brought to a boil then cooled prior to finishing on griddle. To reduce burning and sticking of the potatoes, coat the griddle surface with vegetable oil and turn potatoes frequently.

5. CLEANING & MAINTENANCE SECTION:**5.1. DAILY CLEANING:**

- A. Clean the griddle surface often to prevent sticking and poor quality of food product. Scrape the griddle plate regularly with a scraper intended for your type of griddle surfaces to remove all surface grease and food debris.

NOTICE:

Do not use Grill Bricks, Grill Screens, or any other type of abrasive material on your MagiKitch'n Chrome Griddle Surface. USING ABRASIVE MATERIALS WILL VOID YOUR WARRANTY.

- B. Clean and wipe out grease chutes.
 C. Wipe down the exterior, the sides and front of the griddle are stainless steel, any stainless steel cleaner can be used to clean these surfaces.
 D. Remove and empty grease box(es) of any and all debris, also wipe down the inside of the grease box compartment for food particles that may have come free from the grease box.

NOTICE:

The grease box is designed to contain grease run off from the griddle surface. The grease box should NEVER be allowed to overfill, and should be emptied daily and the grease disposed of properly.

5.2. GRIDDLE SURFACE CLEANING, END OF SHIFT:**5.2.1. Plain Steel Cooking Surface:**

- A. Scrape griddle surface completely with a scraper to remove grease and loose food debris.
 B. Use a grill brick or grill screen to clean any heavy build up of carbon from the griddle surface. Never use steel wool pads, small fibers may be left behind on the cooking surface.
 C. When griddle surface is cool, Polish surface with Magi Kleans'r, or similar type non-abrasive, non-caustic cleaners that are approved for stainless steel.
 D. It may be necessary to season the grill again after this cleaning.

5.2.2. Chrome Plated Cooking Surface:

- A. Scrape griddle surface completely with supplied scraper to remove grease and loose food debris.

NOTICE:

Do not use Grill Bricks, Grill Screens, or any other type of abrasive material on your MagiKitch'n Chrome Griddle Surface. USING ABRASIVE MATERIALS WILL VOID YOUR WARRANTY.

- B. When griddle surface is cool, Scrub the Chrome surface with the supplied palmetto cleaning brush and cool water.
 C. Shine the Chrome griddle cooking surface with Magi Kleans'r, water and a soft cloth.
 D. Rinse with clean water and wipe away any residue with a dry cloth.

5.3. MONTHLY MAINTENANCE:**NOTICE:**

Regular maintenance of your MagiKitch'n griddle is Recommended to keep the appliance operating properly.

5.3.1. Monthly Checks:

- A. Use a grill surface thermometer to make sure thermostats are operating properly.
 B. Through the pilot holes in the front panel, visually check that the pilot(s) flame(s) are strong and light the main burners properly.
 C. Through the pilot holes in the front panel, visually check the appearance of the main burners, all burners should have a nice blue flame.
 D. Make sure that all gas connections have not been tampered with or damaged, check for leaks with a soapy water solution. ***Never use an open flame to check for leaks.***
 E. Check to see that the flue exhaust area has no food debris, or blocked in any way. Never allow the flue to become excessively dirty. The flue being free of obstruction is imperative to proper burner operation.

- F. Check to see that the ventilation hood and make up air systems are working properly. Any make up air system should not be directed as to impede the flow of combustion air to the griddle, or flue exhaust from the griddle.
- G. Inspect griddle surface for proper cleanliness.

5.4. TROUBLESHOOTING CHART:

The following chart may help to eliminate any basic operational problems that you may be experiencing with your appliance. Locate the problem on the left side of the chart, and cross-reference the problem with the possible cause. Once the problem has been identified take the appropriate action to rectify the problem.

NOTICE:

All parts and service for your MagiKitch'n griddle should be ordered and installed by a MagiKitch'n Authorized Service and Parts (ASAP) dealer. Failure to do so might result in the warranty being voided.

PROBLEM	POSSIBLE CAUSE							
	Heat Set Too High	Moisture in Food Turning Into Steam	Griddle Surface Dirty or Un-seasoned	Cooking Times Not Long Enough	Product Shelf Life Expired	Product Stored In-correctly	Excessive Oil or Fat used on Griddle Surface	Heat Set Too Low
Excessive Smoke From Fat	X	X						
Product Sticking	X		X	X				
Product Edges Burning	X		X	X				
Product Centers Underdone	X				X			
Greasy or Undesirable Flavor						X	X	X
Grease Build up on Griddle Surface	X		X				X	

5.5. ACCESSORIES:

5.5.1. Standard:

Standard accessories that are shipped with your MKG griddle, all griddles are shipped with a set of 4" legs, black iron piping (for gas connections), 3/4" 1/2 PSIG gas regulator, and a 3/4" shut off valve on Matchless ignition units.

Each MKG Chrome Surfaced Griddle is equipped with a Chrome Kit which includes a Cleaning Brush, Cleaning Powder, Spatula, Scraper, and scrape blade replacements. See below table for re-order Part Nos.

CHROME GRIDDLE ACCESSORIES	
Magi Kleans'r	Part No. 9825-1525101
Palmetto Brush	Part No. 9825-1524901
Spatula(Chrome Surface)	Part No. 9825-1525001
Scraper, w/ blade and cover	Part No. 9825-1528001
Replacement blades	Part No. 9825-1528002

Using MagiKitch'n chrome griddle accessories are important to maintaining the life of the griddle's chrome surface.

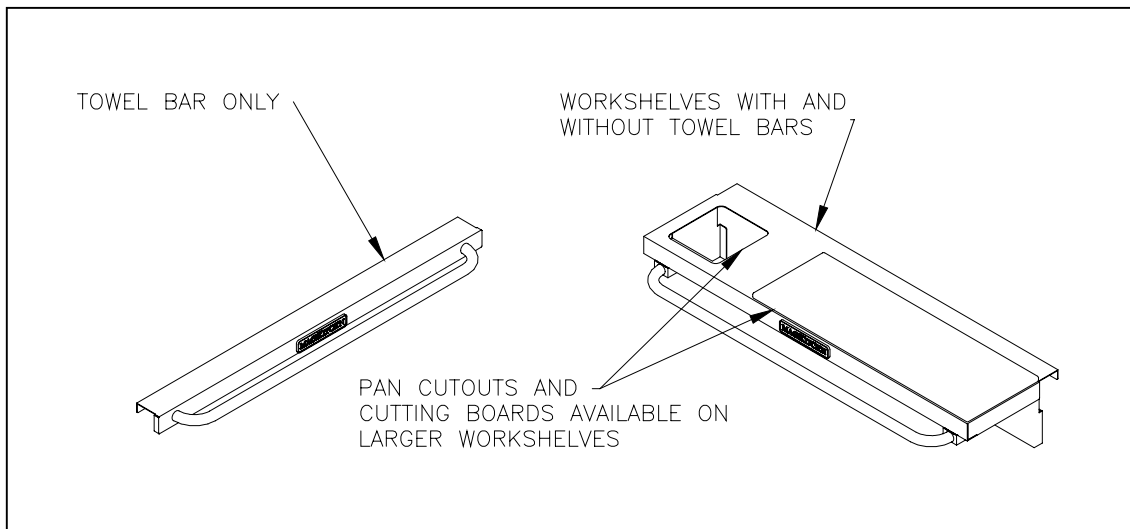
5.5.2. Optional:

To order accessories for your griddle, call your local MagiKitch'n dealer for prices and availability.

Accessories by Model	MKG24	MKG36	MKG48	MKG60	MKG72
Service Shelf 8"	5125-1511601-C	5125-1511602-C	5125-1511603-C	5125-1511610-C	5125-1511611-C
Service Shelf 10"	5125-1511604-C	5125-1511605-C	5125-1511606-C	5125-1511612-C	5125-1511613-C
Service Shelf 12"	5125-1511607-C	5125-1511608-C	5125-1511609-C	5125-1511614-C	5125-1511615-C
Service Shelf 8" with Towel Bar	5225-1511701-C	5225-1511702-C	5225-1511703-C	5225-1511710-C	5225-1511711-C
*Service Shelf 10" with Towel Bar	5225-1511704-C	5225-1511705-C	5225-1511706-C	5225-1511712-C	5225-1511713-C
*Service Shelf 12" with Towel Bar	5225-1511707-C	5225-1511708-C	5225-1511709-C	5225-1511714-C	5225-1511715-C
Towel Bar Only	5225-1511801-C	5225-1511802-C	5225-1511803-C	5225-1511804-C	5225-1511805-C
**Griddle Stand with Legs	5225-1512001-C	5225-1512005-C	5225-1512007-C	5225-1512009-C	5225-1512011-C
**Griddle Stand with Casters	5225-1512002-C	5225-1512006-C	5225-1512008-C	5225-1512010-C	5225-1512012-C

****10" & 12" service shelves are also available with cutting boards and/or pan cutouts. Consult factory for availability.***

*****Also include part number 7225-1512101 (mounting kit) with any griddle stand order.***





MAILING ADDRESS - P.O. BOX 501, CONCORD, NH 03302-0501

SHIPPING ADDRESS - 10 FERRY ST. CONCORD, NH 03301

PHONE- 800-258-3708 • 603-225-6684 • FAX: 603-225-8497

www.magikitchn.com